



# User Manual

## Contents

- Overview .....03
- Utilisation .....04
- Contents of Box .....06
- Explanation of symbols .....07
- Introduction.....08
- Layout.....09
- Scope of delivery ..... 10
- Intended use .....11
- Safety regulations .....11
- Technical data ..... 14
- Assembly ..... 16
- Before operation .....17
- Operation ..... 19
- Maintenance and cleaning .....21
- Troubleshooting ..... 22
- Storage and transport..... 22
- Disposal and recycling..... 22
- Warranty details ..... 23
- Repair and refurbished goods or parts notice ..... 24

# FERREX® HIGH PRESSURE WASHER

ALDI guarantees that our exclusive brand products are developed to our stringent quality specifications. If you are not entirely satisfied with this product, please return it to the nearest ALDI store within 60 days from the date of purchase, for a full refund or replacement, or take advantage of our after sales support by calling the supplier's Customer Service Hotline.



Made in China

FERREX® is a registered trademark of ALDI Stores

DISTRIBUTED BY:

ALDI STORES  
1 SARGENTS ROAD  
MINCHINBURY NSW 2770  
www.aldi.com.au

AFTER SALES SUPPORT

836221

**1300 855 831**

**support@scheppach.com.au**

MODEL:  
F-HCP2000

09/2024

# 5 YEAR WARRANTY

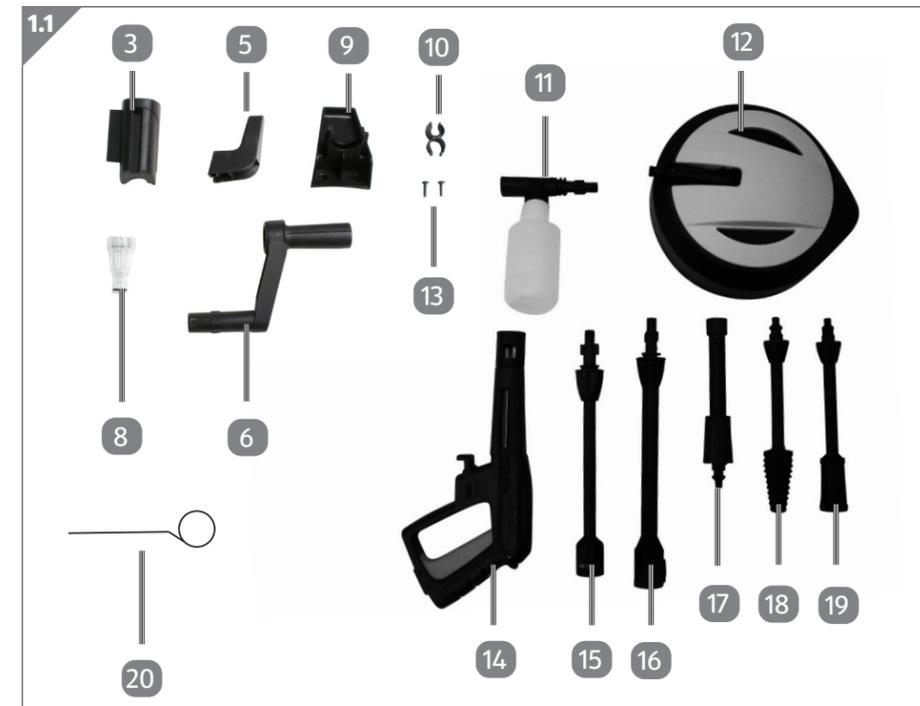
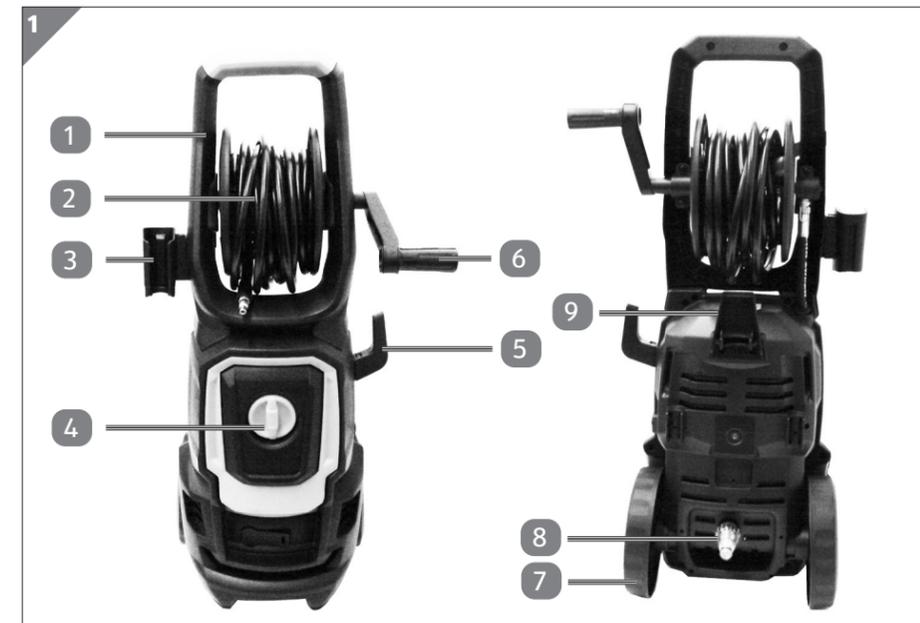


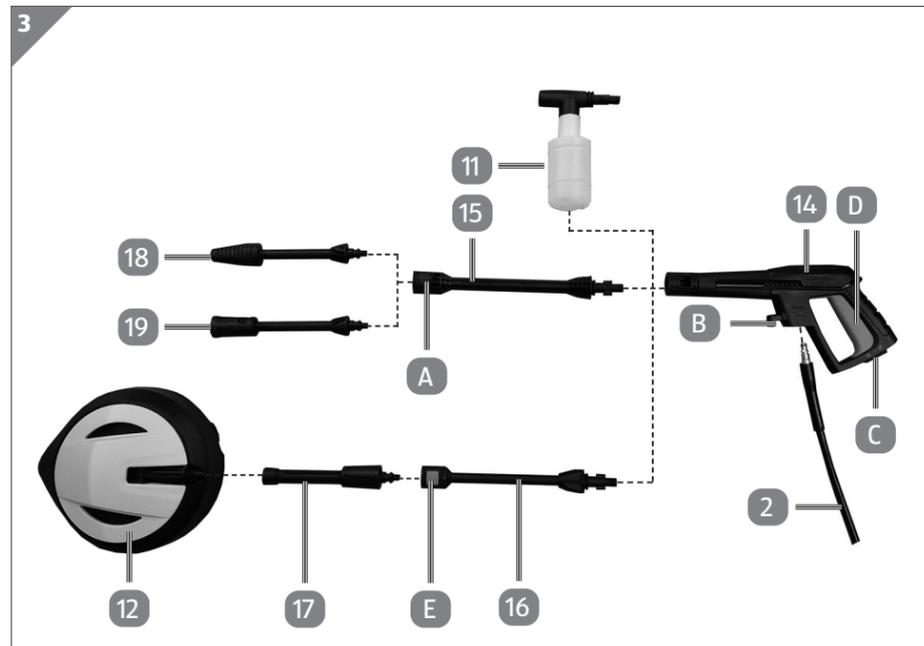
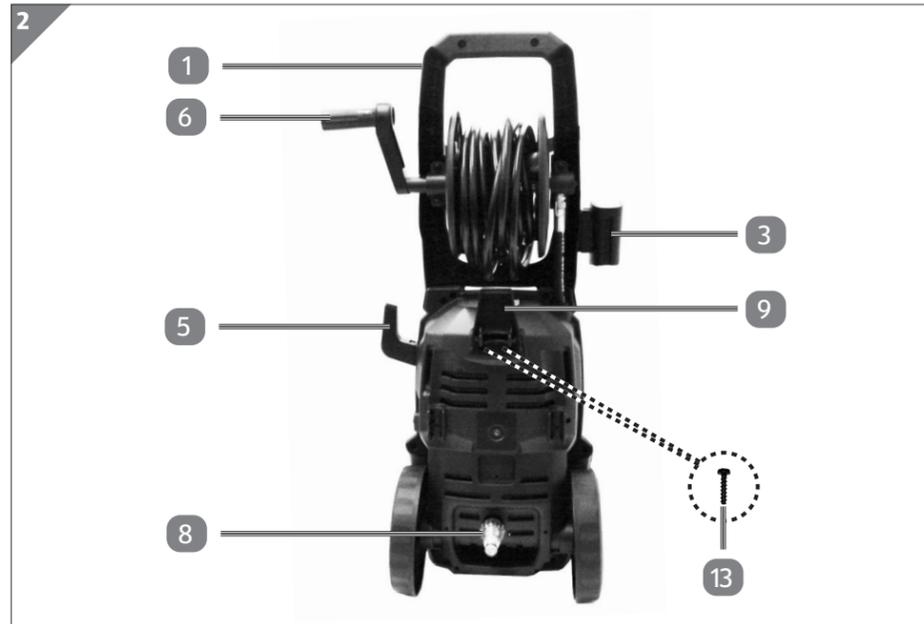
Original instructions  
CAUTION: Read the instructions before using the machine



Dok./Rev.-Nr. 836221\_2024-03-11

## Overview





### Contents of Box

- 1 x High pressure washer
- 1 x High pressure hose
- 1 x Lance holder
- 1 x Holder for mains cable
- 1 x Crank handle
- 1 x Quick connector
- 1 x Detergent bottle holder
- 1 x Hose clip
- 1 x Detergent bottle
- 1 x Patio cleaner
- 2 x Screw
- 1 x Gun
- 1 x Gun extension
- 1 x Long patio cleaner extension
- 1 x Short patio cleaner extension
- 1 x Turbo nozzle
- 1 x Variable nozzle
- 1 x Nozzle cleaning needle
- 1 x Warranty Certificate
- 1 x Manual

## Explanation of Symbols

	General note! Observe and understand all safety notes and hints in this manual.
	Read the operating instructions to reduce the risk of injury.
	Wear safety goggles.
	Wear ear-muffs. The impact of noise can cause damage to hearing.
	This high pressure washer is not suitable for connecting to the drinking water network.
	<b>Warning!</b> High-pressure jets can be dangerous if not used properly. Do not direct the jet at persons, animals, live electrical equipment or the pressure washer itself.
	<b>Warning!</b> Before installation, cleaning, alterations, maintenance, storage and transport switch off the high pressure washer and disconnect it from the power supply.
	Class II symbol: This high pressure washer is designed with dual insulation and does not need to be connected to an earthed power socket.
	Sound power level (guaranteed).
	Warranty period.
	Comply with the Australian norms and directive.
	Warranty class.
	AC symbol: alternating current
	<b>Attention!</b> Contents that provide information concerning your safety
	<b>Caution!</b> Failure to follow these instructions may cause risk of injury!
	<b>Warning!</b> Failure to follow these instructions may cause danger to life or danger of serious injuries!

## I. Introduction

Congratulations on choosing to buy a FERREX® product.

All products brought to you by FERREX® are manufactured to the highest standards of performance and safety, and as part of our philosophy of customer service and satisfaction, are backed by our comprehensive **5 Year Warranty**.

We hope you will enjoy using your purchase for many years to come.

### Note:

According to the applicable product liability law the manufacturer of this high pressure washer is not liable for damages which arise on or in connection with this high pressure washer in case of:

- improper handling,
- non-compliance with the instructions for use,
- repairs by third party, non-authorized skilled workers,
- installation and replacement of non-original spare parts,
- improper use,
- failures of the electrical system due to the non-compliance with the electrical specifications and the Australian regulations.

### Recommendations:

Read the entire text of the operating instructions prior to the assembly and operation of the high pressure washer.

These operating instructions are intended to make it easier for you to get familiar with your high pressure washer and utilise its intended possibilities of use.

The operating instructions contain important notes on how to work safely, properly and economically with your high pressure washer and how to avoid dangers, save repair costs, reduce downtime, and increase the reliability and working life of the high pressure washer.

In addition to the safety regulations contained herein, you must in any case comply with the applicable regulations of your country with respect to the operation of the high pressure washer.

Put the operating instructions in a clear plastic folder to protect them from dirt and humidity, and store them near the high pressure washer. The instructions must be read and carefully observed by each operator prior to starting the work. Only persons who have been trained in the use of the high pressure washer and have been informed on the related dangers and risks are allowed to use the high pressure washer. The required minimum age of 16 years must be met.

In addition to the safety notes contained in the present operating instructions and the special regulations of your country, the generally recognised technical rules for the operation of this high pressure washer must be observed.

## II. Layout (Fig. 1 / 1.1)

- 1 Handle with hose reel
- 2 High pressure hose
- 3 Lance holder
- 4 On / off switch
- 5 Holder for mains cable
- 6 Crank handle
- 7 Transport wheel
- 8 Quick connector
- 9 Detergent bottle holder
- 10 Hose clip
- 11 Detergent bottle
- 12 Patio cleaner
- 13 Screw
- 14 Gun
- 15 Gun extension
- 16 Long patio cleaner extension
- 17 Short patio cleaner extension
- 18 Turbo nozzle
- 19 Variable nozzle
- 20 Nozzle cleaning needle

### III. Scope of delivery

High pressure washer	(1x)
High pressure hose	(1x)
Lance holder	(1x)
Holder for mains cable	(1x)
Crank handle	(1x)
Quick connector	(1x)
Detergent bottle holder	(1x)
Hose clip	(1x)
Detergent bottle	(1x)
Patio cleaner	(1x)
Screw	(2x)
Gun	(1x)
Gun extension	(1x)
Long patio cleaner extension	(1x)
Short patio cleaner extension	(1x)
Turbo nozzle	(1x)
Variable nozzle	(1x)
Nozzle cleaning needle	(1x)
Warranty Certificate	(1x)
Manual	(1x)

- Open the packaging and take out the high pressure washer carefully.
- Remove the packaging material as well as the packaging and transport bracing (if available).
- Check that the delivery is complete.
- Check the high pressure washer and accessory parts for transport damage.
- If possible, store the packaging until the warranty period has expired.

#### **⚠ Attention!**

**The high pressure washer and packaging materials are not toys!**

**Children must not be allowed to play with plastic bags, film and small parts!  
There is a risk of swallowing and suffocation!**

## IV. Intended use

The high pressure washer is designed to clean vehicles, machines, buildings, facades, etc. in private, domestic use.

The high pressure washer is to be used only for its prescribed purpose. Any other use is deemed to be a case of misuse. The user / operator and not the manufacturer will be liable for any damage or injuries of any kind caused as a result of this.

Please note that the high pressure washer has not been designed for use in commercial, trade or industrial applications. Our warranty will be voided if the high pressure washer is used in commercial, trade or industrial businesses or for equivalent purposes.

This high pressure washer is not allowed to be used by persons (including children) with reduced physical, sensory or mental capacities or those with a lack of experience and knowledge.

## V. Safety regulations

### General safety instructions

- The product shall not be used by children. Children should not be left unattended, to ensure they do not play with the power tool.
- Persons who are unfamiliar with the operating manual may not operate the product.
- High-pressure cleaners shall not be operated by untrained persons.
- In the event of a disruption or fault during use, switch the product off immediately and pull out the mains plug. Then read the Troubleshooting chapter.

### Working with the product

**⚠ Caution! It will help you avoid accidents and injuries:**

High-pressure cleaners can be dangerous when used improperly. The jet must not be directed towards any persons, animals, active electrical equipment or the product itself.

- Only use the product upright and on a level and stable surface.
- Do not direct the jet at yourself or others to clean clothing or footwear.
- Wear suitable protective clothing and safety goggles to protect against splashing water or dirt.
- Do not use the product when other people are in range unless they are wearing protective clothing.

## AFTER SALES SUPPORT

- Keep children away from the running engine.
- Do not use the product in the vicinity of combustible fluids or gases. There is a risk of fire or explosion if disregarded.
- Do not spray flammable liquids. There is a risk of explosion.
- If you come into contact with cleaning agent, rinse with plenty of clean water.
- Store the product in a dry place and out of reach of children.

**⚠ Caution! In this way you avoid damage to the product and any personal injury resulting from it:**

- Do not work with a damaged, incomplete or modified product without the consent of the manufacturer. Before commissioning, have a specialist check that the required electrical protective measures are in place.
- Do not use the product if the mains connection cable, the water supply hose or other important parts such as the high-pressure hose or the spray gun, are damaged.
- Protect the product against frost and running dry.
- High-pressure hoses, fixtures and couplings are important for machine safety. Only use high-pressure hoses, fixtures and couplings recommended by the manufacturer.
- To ensure machine safety, only use original spare parts from the manufacturer or spare parts approved by the manufacturer.
- The product may only be opened by an authorised electrician. In the event of repair, always contact our service centre.

### **Electrical safety**

**⚠ Caution! To avoid accidents and injuries due to electric shock:**

- If an extension lead is used, the plug and coupling must be watertight.

⚠ Unsuitable extension cables could be dangerous. There is a risk of persons being injured due to electric shock.

- Protect the electrical plug connections from moisture.
- If there is a risk of flooding, fit the plug connections in the flood-proof area.
- Ensure that the mains voltage corresponds to the specifications on the type plate.
- The mains connection must be carried out by an experienced electrician and meet the requirements of AS/NZS 3000.
- Electrical connections must be made by an electrician in accordance with all local and national regulations.
- Only connect the product to a socket outlet with an RCD (residual current device)



- with a tripping current of no more than 30 mA.
- Before each use, check the product, mains connection cable and connectors for damage.
  - If the mains connection cable for the product is damaged then it must be replaced by the manufacturer or their customer services personnel or by a similarly qualified person, in order to avoid hazards.
  - Do not use the mains connection cable to pull the plug out of the outlet. Protect the mains connection cable from heat, oil and sharp edges.
  - Do not carry or fasten the product by the mains connection cable.
  - Unsuitable extension cables could be dangerous. If an extension cable is used, it must be suitable for outside use, the connection must be dry and must be raised off the ground. It is recommended to use a cable drum for this, keeping the socket at least 60 mm above the floor. Check the cable for damage.
  - Pull out the mains plug before all work on the product, in work breaks and when not in use.
  - Extension cables must not have a smaller conductor cross-section than 2 x 2.5 mm<sup>2</sup>.
  - Wear sturdy footwear to protect against electric shock.
  - To protect against electric shock, only operate the product in an upright, standing position.
  - Always switch off the mains disconnecter if the machine is left unattended.

## Residual risks

**Even if you operate this product as instructed, there is still a potential risk of personal injury and material damage. The following hazards, among others, may occur in connection with the construction and design of this product:**

- Health hazard due to electrical power, with the use of improper electrical connection cables.
- Hearing damage if suitable hearing protection is not worn.
- Furthermore, despite all precautions having been met, some non-obvious residual risks may still remain.
- Residual risks can be minimised if the “Safety Instructions” and the “Intended Use” together with the operating manual as a whole are observed.
- Before performing setting or maintenance work, release the start button and pull out the power plug.

**⚠ WARNING!** This power tool generates an electromagnetic field during operation. This field can impair active or passive medical implants under certain circumstances. In order to prevent the risk of serious or deadly injuries, we recommend that persons with medical implants consult with their physician and the manufacturer of the medical implant prior to operating the power tool.

## VI. Technical data

<b>Mains connection</b>	220 - 240 V~ / 50/60 Hz
<b>Power consumption</b>	2000 W
<b>Mains cable length</b>	approx. 5 m
<b>Safety class</b>	II
<b>Degree of protection</b>	IPX5
<b>Rated/operating pressure</b>	11 MPa / 1595 PSI
<b>Max. permissible pressure</b>	15 MPa / 2175 PSI
<b>Max. inflow pressure</b>	0.4 MPa
<b>Inflow temperature</b>	max. 50 °C
<b>Working flow rate, water</b>	6 L/min
<b>Max. working flow rate, water</b>	7.5 L/min
<b>Weight approx.</b>	9.5 kg

**Noise and Vibration**

<b>Sound pressure level (<math>L_{pA}</math>)</b>	74.6 dB(A)
<b>Uncertainty <math>K_{pA}</math></b>	3 dB(A)
<b>Sound power level (<math>L_{WA}</math>):</b>	88.3 dB(A)
<b>Sound power level, Guaranteed</b>	90 dB(A)
<b>Uncertainty <math>K_{WA}</math></b>	3 dB(A)
<b>Vibration (<math>a_h</math>).</b>	2.089 m/s <sup>2</sup>
<b>Uncertainty K</b>	1.5 m/s <sup>2</sup>

**Wear ear-muffs.**

The impact of noise can cause damage to hearing.

Sound and vibration values were measured with a standardized test method.

The specified vibration value was established in accordance with a standardized testing method. It may change according to how the electric high pressure washer is used and may exceed the specified value in exceptional circumstances.

The specified vibration value can be used to compare the high pressure washer with other electric power tools.

The specified vibration value can be used for initial assessment of a harmful effect.

Keep the noise emissions and vibrations to a minimum:

- Only use appliances which are in perfect working order.
- Service and clean the appliance regularly.
- Adapt your working style to suit the appliance.
- Do not overload the appliance.
- Have the appliance serviced whenever necessary.
- Switch the appliance off when it is not in use.
- Wear protective gloves.

## VII. Assembly

**⚠ Warning! Ensure the high pressure washer is correctly and completely assembled before use.**

### Mounting of the crank handle (Fig.2)

- 1 Push the crank handle (6) into the connection hole at the side of the handle with hose reel (1).

### Mounting of the holder for mains cable and lance holder (Fig.2)

- 1 Attach the holder for mains cable (5) and the lance holder (3) onto both fastening points at the side of the high pressure washer.

### Mounting of the holder for mains cable and lance holder (Fig.2)

- 1 Attach the holder for mains cable (5) and the lance holder (3) onto both fastening points at the side of the high pressure washer.

### Mounting of the detergent bottle holder (Fig.2)

- 1 Fix the detergent bottle holder (9) with the two screws (13), by using a screwdriver (not included), at the back side of the high pressure washer.

### Mounting of the quick connector (Fig.2)

- 1 Remove the black cap from thread at the back side of the high pressure washer. The black cap can be disposed.
- 2 Mount the quick connector (8) to the thread at the back side of the high pressure washer.

### Mounting of the high pressure hose and the gun (Fig.3)

- 1 Plug the high pressure hose (2) into the gun (14).
- 2 For removal of the high pressure hose (2), push the lever (B) and pull out the high pressure hose (2).

**Mounting of the gun extension (Fig.3)**

- 1 Plug the gun extension (15) into the gun (14) and twist it until it locks.
- 2 Plug the required nozzle (18 or 19) into the gun extension (15).
- 3 For removal, press the button (A) and remove the accessory.

**Mounting of the detergent bottle (Fig.3)**

- 1 Plug the detergent bottle (11) into the gun (14) and twist it until it locks.

**Mounting of the patio cleaner (Fig.3)**

- 1 Connect the short patio cleaner extension (17) with the thread of the patio cleaner (12).
- 2 Plug the long patio cleaner extension (16) into short patio cleaner extension (17).
- 3 Plug the long patio cleaner extension (16) into the gun (14) and twist it until it locks.

**VIII. Before operation**

It is recommended for the power supply to this high pressure washer either to be connected via a residual current device circuit-breaker, which interrupts the power flow as soon as the leakage current to earth exceeds 30 mA for 30 ms, or for it to be equipped with an earth tester.

Before you connect the high pressure washer to the mains supply make sure that the data on the rating plate are identical to the mains data. **Warning! Always pull the power plug before making adjustments to the high pressure washer.**

**Using the high pressure washer correctly**

To remove all impurities, run water through the garden hose for 30 seconds. Shut off the water. Important: Do not suction stagnant water for the water supply. Only use water up to max. 50° C.

- The high pressure washer must be stood on a level, stable surface.
- It is recommended that you adopt the correct operating position every time you

**AFTER SALES SUPPORT**

use the high pressure washer with one hand on the gun and the other on the lance.

- Never direct the water jet at electrical lines or the high pressure washer itself.
- Never use the high pressure washer in potentially explosive areas under any circumstances!
- Do not cover or modify the lance or the spray nozzles in any way.
- The high pressure washer is designed to be used with cold or lukewarm water (max. 50 °C); higher temperatures can damage the high pressure washer.
- Do not use water that is dirty, gritty or contains any chemical products, as these could impair operation and shorten the life of the high pressure washer.

**⚠ Warning! Risk of explosion** Do not spray flammable liquids.

**⚠ Warning!** Water that has passed through the non-return valve is not drinkable.

**⚠ Warning!** If cleaning agent gets into contact with your skin or into your eye, rinse immediately with lots of clean water. Then consult a doctor or follow the steps described on the safety data sheet or provided by the manufacturer of the cleaning agent.

### **Quick connector (Fig. 1/2)**

The quick connector (8) has a standard hose coupling system. Plug the hose coupling of the supply hose (min. Ø 1/2"/13 mm) to the quick connector (8).

Always use a reinforced hose with a standard coupling for the water inlet. The hose should be at least 6 m in length (not supplied).

A backflow preventer must be installed between the drinking water and the high pressure washer! Ask your local plumber about this.

### **Electrical connections**

- Before you connect the high pressure washer to the power supply make sure that the data on the rating plate are identical to the supply voltage.
- If you use any extension cables, make sure that they are suitable for outdoor use and have large enough wires:
  - 1 – 10 m: 1.5 mm<sup>2</sup>
  - 10-30 m: 2.5 mm<sup>2</sup>
- Insert the power plug on the power cable into the socket outlet.

- The product meets the requirements of EN 61000-3-11 and is subject to special connection conditions. This means that use of the product at any freely selectable connection point is not allowed.
- Given unfavorable conditions in the power supply the product can cause the voltage to fluctuate temporarily.
- The product is intended solely for use at connection points that
  - a) do not exceed a maximum permitted supply impedance "Z" ( $Z_{max.} = 0.1988 \Omega$ ), or
  - b) have a continuous current-carrying capacity of the mains of at least 100 A per phase.
- As the user, you are required to ensure, in consultation with your electric power company if necessary, that the connection point at which you wish to operate the product meets one of the two requirements, a) or b), named above.

## IX. Operation

**⚠ Warning! Be prepared for the recoil force of the emitted water jet! Ensure that you are standing firmly and that you are holding the gun (14) securely, otherwise you could injure yourself or other people.**

**Never operate the high pressure washer with a closed water tap. Dry running will damage the high pressure washer!**

### Using the hose reel (Fig.1 / 4)

- 4 Pull the required length of the high pressure hose (2) from the handle with hose reel (1).
- 5 To roll up the high pressure hose (2) use the crank handle (6).
- 6 Secure the high pressure hose (2) with the hose clip (10).

### Using the gun (Fig.1 / 3)

- 1 Turn on the water tap entirely.
- 2 Switch on the high pressure washer with the On / Off switch (4). Only ever switch on the high pressure washer once you have connected all of the water pipes and they do not leak. The motor switches on until the required pressure has built up. After the pressure has built up, the motor switches off.
- 3 Press the safety switch (C) to unlock the gun starting lever (D). The nozzle operates by pressure and the motor switches back on.

---

## AFTER SALES SUPPORT

- 4 Releasing the gun starting lever (D) causes the high pressure washer to switch off. The system remains pressurised.
- 5 After using the high pressure washer press the safety switch (C) to lock the gun starting lever.

### **Usage of the accessories (Fig.3)**

Variable nozzle (19): This accessory is intended for ordinary cleaning works and cleaning vehicles. The water jet can be adjusted by turning the variable nozzle (19).

Turbo nozzle (18): This accessory is intended for stubborn dirt. Do not use this accessory to clean vehicles.

### **Patio cleaner (Fig. 3)**

The patio cleaner (12) is designed for splashproof pressure cleaning of floors and walls. Rotating nozzles ensure that cleaning is highly efficient.

- 1 Do not release water from the high pressure washer until the patio cleaner (12) rests on the surface you are cleaning.
- 2 Always hold the patio cleaner (12) by both hands when washing down walls.
- 3 Avoid the patio cleaner (12) going over edges.
- 4 The patio cleaner (12) is not designed for cleaning vehicles.

### **Using the detergent bottle (Fig. 3)**

Fill the detergent bottle (11) with suitable cleaning agent. Only use cleaning agent, which are recommended for high pressure cleaner.

Mount the detergent bottle (11) onto the gun (14).

The cleaning agent will be added automatically if you use the gun (14).



### After use

1. Disconnect the high pressure washer from water supply.
2. Empty the high pressure washer by using the gun for a few seconds.
3. Switch off the high pressure washer.
4. Disconnect the high pressure washer from power supply.
5. Let the high pressure washer cool down.
6. Check after each use if the high pressure washer is damaged.

## X. Maintenance and cleaning

Pull out the power plug before every maintenance operation. This also includes connecting to the water supply or trying to eliminate leaks. There is a risk of electrocution or of injury from moving parts.

### Cleaning

**It is recommended to clean the high pressure washer after each use.**

**Never direct the water jet against the high pressure washer, nor clean the high pressure washer under flowing water. This could give rise to the danger of electric shock and damage the high pressure washer!**

Always keep the high pressure washer clean. Do not use any detergents or solvents.

- Always keep the ventilation slots clean and free from dirt and dust.
- Only clean the high pressure washer with a soft brush or a slightly moist cloth.
- If nozzles are soiled or blocked, you can remove any foreign bodies in the nozzle using the nozzle cleaning needle (20).

### Maintenance

The high pressure washer is maintenance free.

### Connections and repairs

Connections and repair work on the electrical equipment may only be carried out by electricians.

## XI. Troubleshooting

Problem	Possible Cause	Action
The high pressure washer does not work.	No electrical voltage to the high pressure washer.	Check the fuse, power cable and power plug and have them replaced by qualified personnel if necessary.
	The cross section of the extension cable is not large enough and/or the extension cable is too long.	Use extension cables with larger cross sections and/or use shorter extension cables.
	The mains voltage is lower than that specified.	Contact the power supply company if necessary.
	The high pressure washer is frozen.	Check and thaw if necessary.
The motor starts but there is no pressure build-up.	Air intake in the water inlet.	Check the supply hose and hose connectors and replace if necessary.
	Water tap closed.	Turn open the water tap.
The operating pressure is irregular.	Air intake in the water inlet.	Check the supply hose and hose connectors and replace if necessary.
	Nozzle is clogged.	Open nozzle with the nozzle cleaning needle (20).

## XII. Storage and transport

### Storage (Fig.5)

Store the high pressure washer and its related accessories as show in Fig.5.

### Transport (Fig.1)

To transport the high pressure washer, use the handle with hose reel (1) and tilt it onto the transport wheel (7).

## XIII. Disposal and recycling

The equipment is supplied in packaging to prevent it from being damaged in transit. The raw materials in this packaging can be reused or recycled. The equipment and its accessories are made of various types of material, such as metal and plastic. Never place defective equipment in your household refuse. The equipment should be taken to a suitable collection center for proper disposal. If you do not know the whereabouts of such a collection point, you should ask in your local council offices.



**ALDI**  
**FERREX®**

**HIGH PRESSURE WASHER**

## **Warranty Details**

---

REGISTER YOUR PURCHASE AT [www.aldi.com.au/en/about-aldi/product-registration/](http://www.aldi.com.au/en/about-aldi/product-registration/) TO KEEP UP-TO-DATE WITH IMPORTANT PRODUCT INFORMATION

---

The product is guaranteed to be free from defects in workmanship and parts for a period of 60 months from the date of purchase. Defects that occur within this warranty period, under normal use and care, will be repaired, replaced or refunded at our discretion. The benefits conferred by this warranty are in addition to all rights and remedies in respect of the product that the consumer has under the Competition and Consumer Act 2010 and similar state and territory laws.

Our goods come with guarantees that cannot be excluded under the Australian Consumer Law. You are entitled to a replacement or refund for a major failure and for compensation for any other reasonably foreseeable loss or damage. You are also entitled to have the goods repaired or replaced if the goods fail to be of acceptable quality and the failure does not amount to a major failure.

---

**AFTER SALES SUPPORT**

  **1300 855 831**

 **support@scheppach.com.au**

MODEL: F-HCP2000 PRODUCT CODE: 836221 09/2024

**5**

YEAR WARRANTY



HIGH PRESSURE WASHER

## Repair and Refurbished Goods or Parts Notice

---

Unfortunately, from time to time, faulty products are manufactured which need to be returned to the Supplier for repair.

Please be aware that if your product is capable of retaining user-generated data (such as files stored on a computer hard drive, telephone numbers stored on a mobile telephone, songs stored on a portable media player, games saved on a games console or files stored on a USB memory stick) during the process of repair, some or all of your stored data may be lost.

**We recommend you save this data elsewhere prior to sending the product for repair.**

You should also be aware that rather than repairing goods, we may replace them with refurbished goods of the same type or use refurbished parts in the repair process.

**Please be assured though, refurbished parts or replacements are only used where they meet ALDI's stringent quality specifications.**

If at any time you feel your repair is being handled unsatisfactorily, you may escalate your complaint. Please telephone us on 1300 855 831 or write to us at:

RossMac Pty. Ltd.

Unit 6, 4 Ovata Drive, Tullamarine, Victoria, 3043, Australia

1300 855 831

[support@schepach.com.au](mailto:support@schepach.com.au)

---

AFTER SALES SUPPORT

  1300 855 831

 [support@schepach.com.au](mailto:support@schepach.com.au)

MODEL:F-HCP2000 PRODUCT CODE: 836221 09/2024

**5**

YEAR WARRANTY



