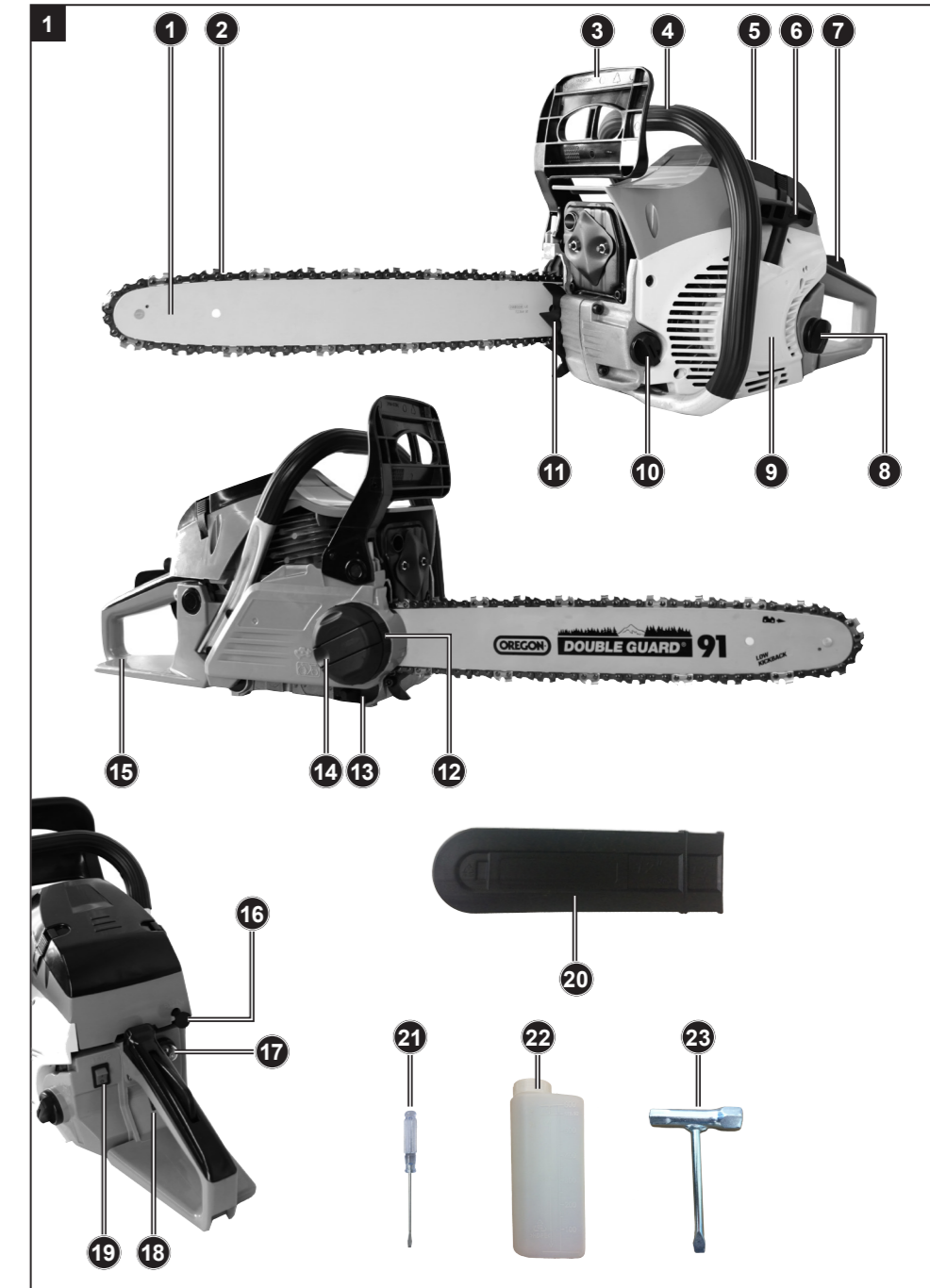


User Manual

Contents

Overview	3
Package contents/part list	6
Explanation of Symbols	9
Introduction	12
Layout	13
Scope of delivery	14
Intended use	15
Safety regulations	16
Set up	28
Operation	31
Operating instructions	34
Cleaning	40
Maintenance and servicing	40
Technical data	48
Storage	49
Transport	50
Disposal and recycling	50
Troubleshooting	51
Warranty Details	53
Repair and Refurbished Goods or Parts Notice	54

FERREX® 16" PETROL CHAINSAW



Dok./Rev.-Nr. 90523_20191212

ALDI guarantees that our exclusive brand products are developed to our stringent quality specifications. If you are not entirely satisfied with this product, please return it to the nearest ALDI store within 60 days from the date of purchase, for a full refund or replacement, or take advantage of our after sales support by calling the supplier's Customer Service Hotline.

AU

Made in China

FERREX® is a registered trademark of ALDI Stores

DISTRIBUTED BY:

ALDI STORES
1 SARGENTS ROAD
MINCHINBURY NSW 2770
www.aldi.com.au

AFTER SALES SUPPORT

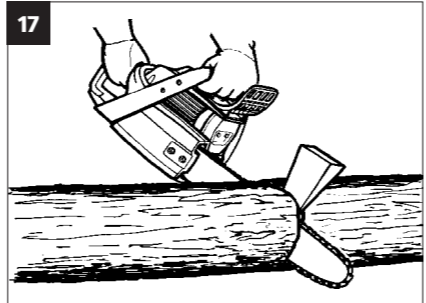
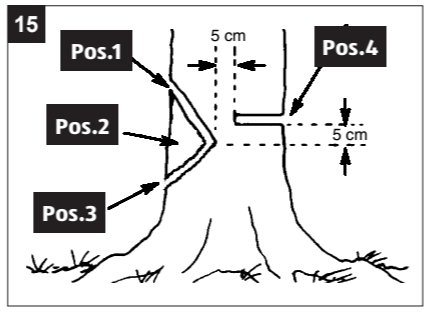
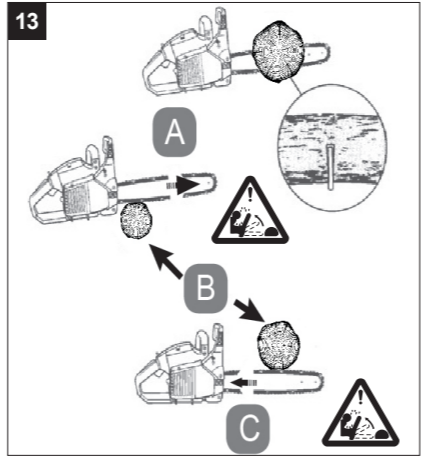
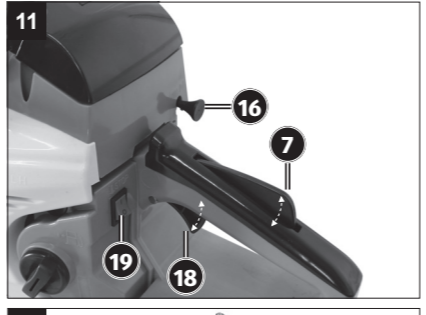
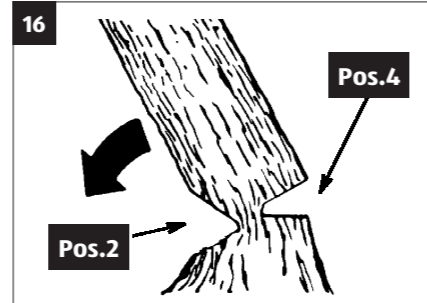
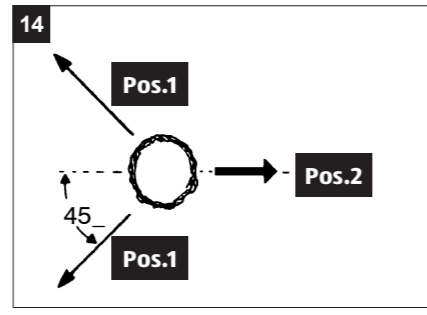
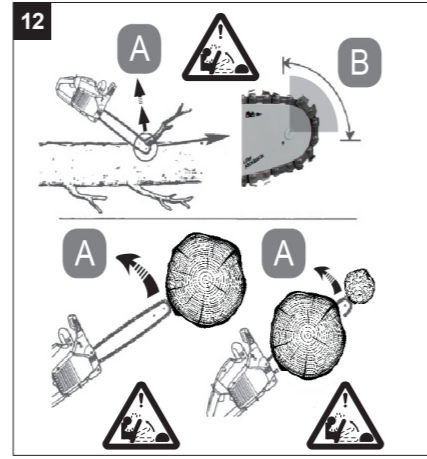
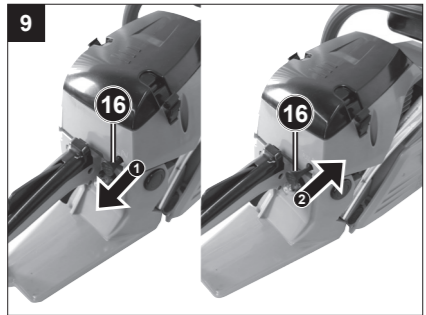
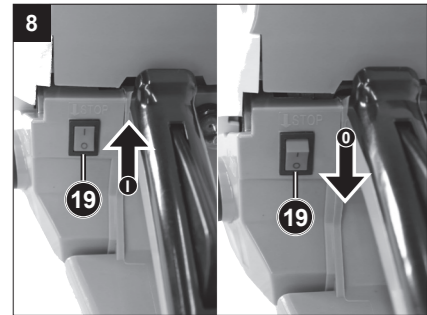
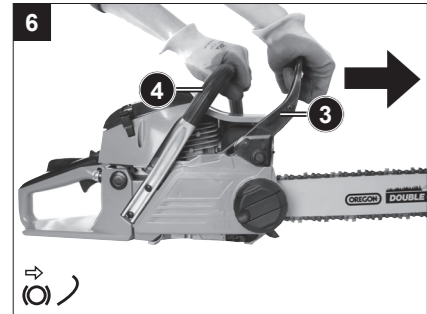
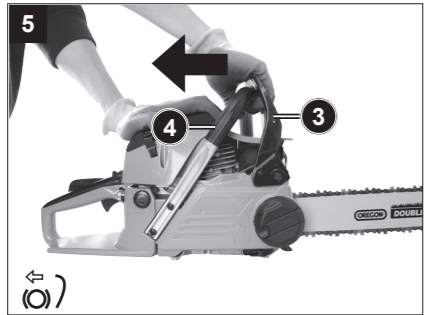
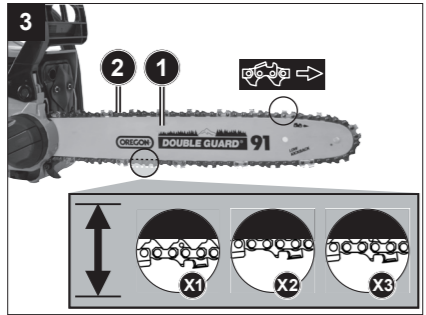
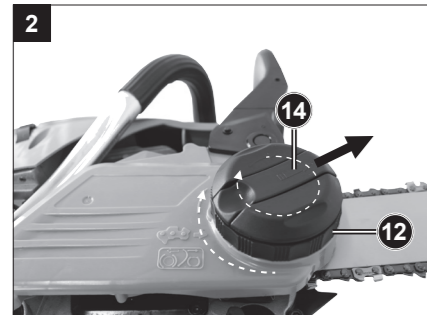
90523 

  1300 855 831

 support@scheppach.com.au

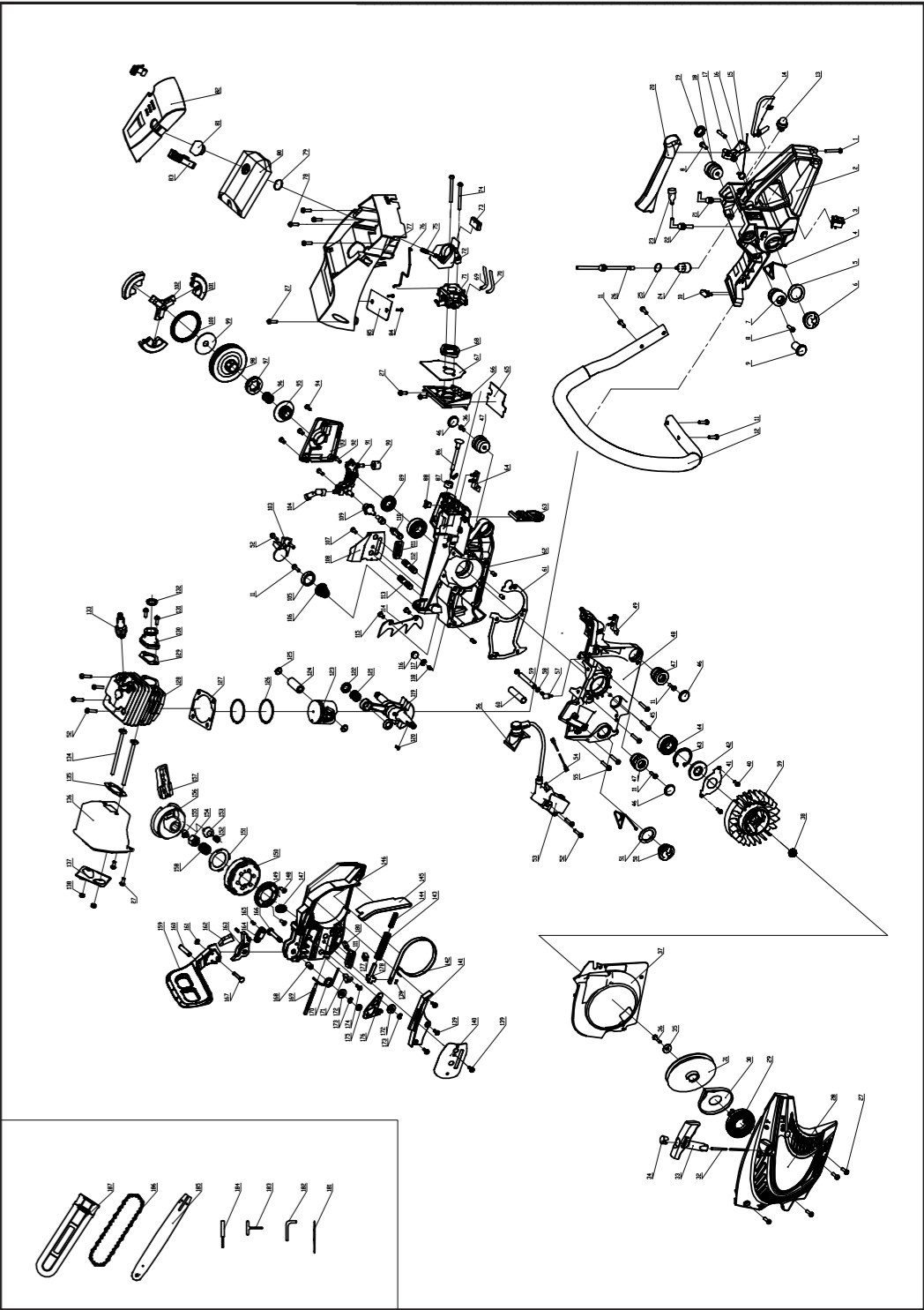
MODEL: CS5300B-4 03/2020

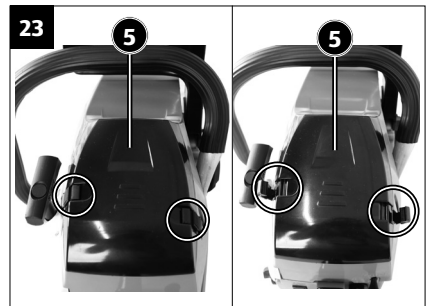
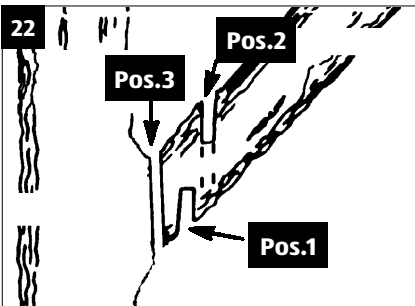
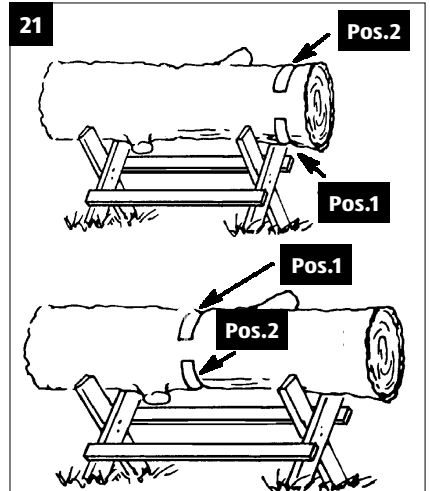
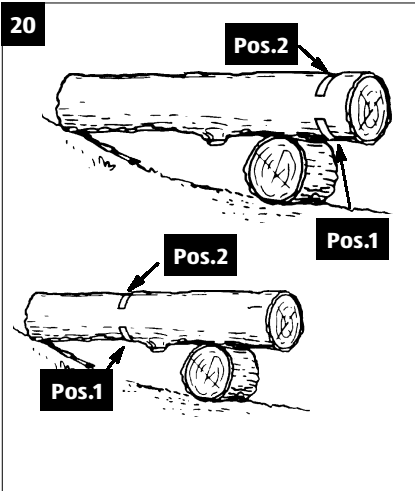
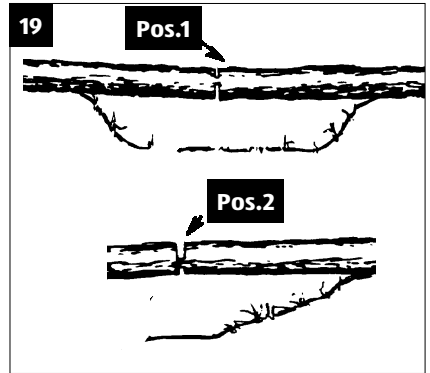
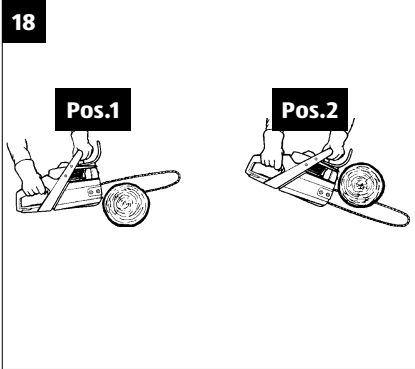
3
YEAR
WARRANTY

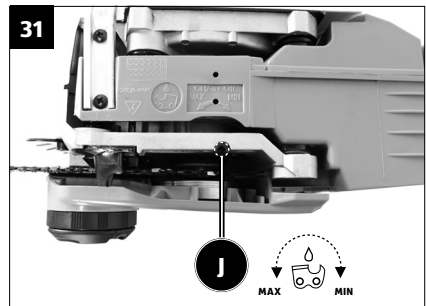
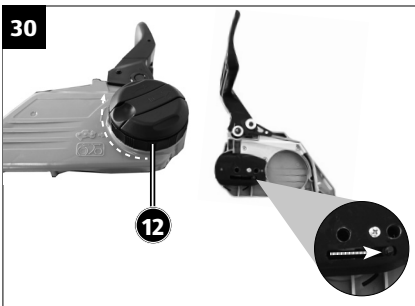
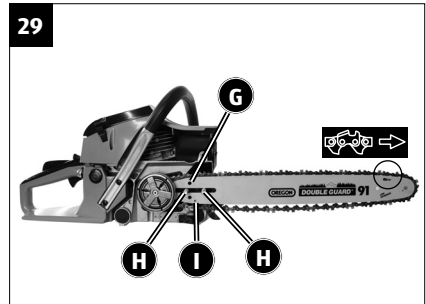
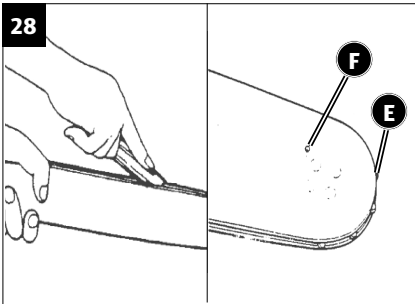
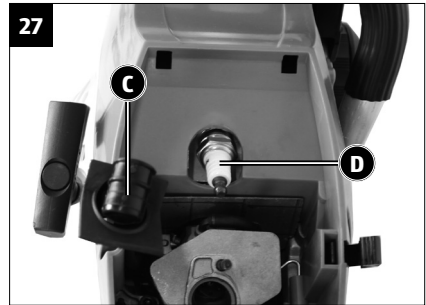
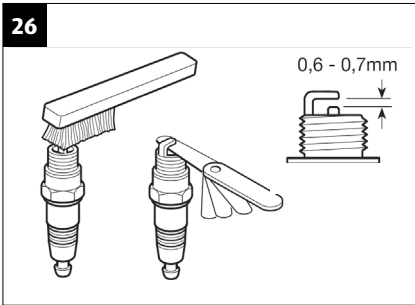
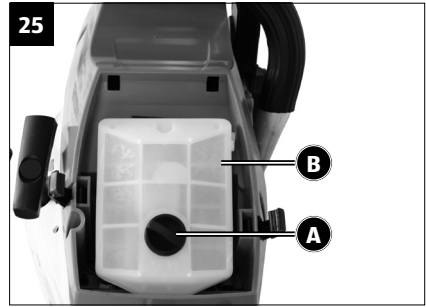
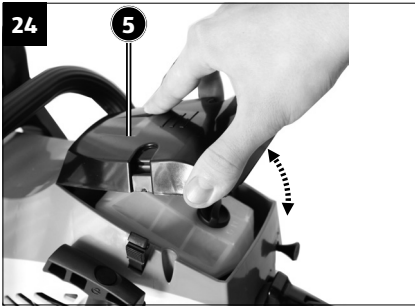


Package contents/part list

- 1 Petrol Chainsaw
- 2 Chain guard
- 3 Spark plug wrench
- 4 Allen key
- 5 Screwdriver
- 6 Fuel mixing bottle
- 7 Hard carry case
- 8 Warranty card
- 9 Instruction manual


















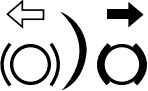













Explanation of Symbols

The use of symbols in this manual is intended to draw your attention to possible risks. The safety symbols and the explanations that accompany them must be perfectly understood. The warnings in themselves do not remove the risks and cannot replace correct actions for preventing accidents.

	Read, understand and follow all warnings.
	WARNING! Chance of kickback. Beware of a check of the chain saw and avoid contact with the tip of the bar
	Do not use the device with one hand
	Use the device with both hands
	Always wear safety glasses, hearing protection and a safety helmet
	Read the complete user guide before using the appliance
	Wear security and anti-vibration gloves when you use the device
	Always wear non-skid safety shoes with cut protection when using this product
	It is important you wear the protection clothing for feet, legs, hands and forearms
	Open flames or smoking in the vicinity of the appliance is strictly prohibited!

Explanation of Symbols

	<p>Fuel filler cap</p>
	<p>Filling hole for chain oil</p>
	<p>Choke knob</p>
<p>L H T</p>	<p>Adjustments for carburettor: (L) Low Speed (H) High Speed (T) Idle Speed</p>
	<p>Setting the chain tension: White arrow: Loosen chain Black arrow: Tighten chain</p>
	<p>Installation direction of chain</p>
	<p>Fuel mixing ratio</p>
	<p>Guaranteed sound power level of the appliance</p>
	<p>Never work without chain lubrication! Always check chain lubrication before starting work.</p>
	<p>Comply with the Australian safety standards.</p>
	<p>Warranty period</p>

	Service category
	Do not expose the package to moisture
	Contents are fragile
	Always store the package upright
	Dispose the packaging in an appropriated recydlng center

Introduction

Congratulations on choosing to buy a FERREX® product.

All products brought to you by FERREX® are manufactured to the highest standards of performance and safety, and as part of our philosophy of customer service and satisfaction, are backed by our comprehensive 3 Year Warranty.

We hope you will enjoy using your purchase for many years to come.

Note:

According to the applicable product liability law the manufacturer of this device is not liable for damages which arise on or in connection with this device in case of:

- improper handling,
- non-compliance with the instructions for use,
- repairs by third party, non-authorized skilled workers,
- installation and replacement of non-original spare parts,
- improper use.

Recommendations:

Read the entire text of the operating instructions prior to the assembly and operation of the device.

These operating instructions are intended to make it easier for you to get familiar with your device and utilise its intended possibilities of use.

The operating instructions contain important notes on how to work safely, properly and economically with your machine and how to avoid dangers, save repair costs, reduce downtime, and increase the reliability and working life of the machine.

In addition to the safety regulations contained herein, you must in any case comply with the applicable regulations of your country with respect to the operation of the machine.

Keep the operating instructions in a clear plastic folder to protect them from dirt and humidity; store them near the machine. The instructions should be read and carefully understood by each operator prior to using the machine. Only persons who have been trained in the use of the machine and are aware of the related dangers and risks should be allowed to use the machine. The local required minimum age must be met.

In addition to the safety notes contained in these operating instructions and any specific regulations in your country, the generally recognised technical rules for the operation of identically constructed machines must be observed.

Layout (Fig. 1)

- 1 Chain bar
- 2 Saw chain
- 3 Chain brake lever / front hand guard
- 4 Front handle
- 5 Air filter cover
- 6 Starter handle
- 7 Safety lock
- 8 Fuel tank cap
- 9 Fan housing
- 10 Oil tank cap
- 11 Spiked bumper
- 12 Chain tensioning wheel
- 13 Chain catcher
- 14 Bar fastening wheel (knob & lever)
- 15 Rear handle / bootstrap
- 16 Choke (carburettor setting)
- 17 Fuel pump 'primer bubble'
- 18 Throttle lever
- 19 Stop switch
- 20 Chain guard
- 21 Screwdriver (oil pump adjusting)
- 22 Fuel mixing bottle
- 23 Spark plug spanner

Scope of delivery

Petrol Chainsaw	(1x)
Chain guard	(1x)
Spark plug wrench	(1x)
Allen key	(1x)
Screwdriver	(1x)
Fuel mixing bottle	(1x)
Hard carry case	(1x)
Warranty card	(1x)
Instruction manual	(1x)

- Open the packaging and take out the equipment with care.
- Remove the packaging material.
- Check that all listed contents are present.
- Inspect the equipment and parts for any damage. Please contact the helpline if anything is missing.
- If possible, keep the packaging until the end of the guarantee period.
- Read the operating instructions fully to familiarise yourself with the tool prior to using it.
- Only use original accessories and spare parts. Spare parts are available by contacting the helpline.
- Specify the part numbers when you contact the helpline.

⚠ ATTENTION!

The device and packaging materials are not toys!

Children must not be allowed to play with plastic bags, film and small parts!

There is a risk of swallowing and suffocation!

Intended use

The chainsaw is designed exclusively for sawing wood.

You may only fell trees if you have received the appropriate training.

The manufacturer cannot be held liable for damage caused by improper or incorrect usage.

DO NOT operate a chainsaw whilst working in a tree.

The machine is to be used only for its prescribed purpose. Any other use is deemed to be a case of misuse. The user / operator and not the manufacturer will be liable for any damage or injuries of any kind caused as a result of this.

Please note that our equipment has been designed for personal domestic use only and has not been designed for use in commercial, trade or industrial applications. Our warranty will be voided if the machine is used in commercial, trade or industrial businesses or for equivalent purposes.

The operating instructions as supplied by the manufacturer must be followed at all times to ensure that the equipment is used properly. Any use which is not expressly permitted in the manual may result in damage to the equipment and place the user in serious danger. Observe the restrictions in the safety instructions.

⚠ DANGER! Cut only wood with this chainsaw. Due to the high risk of physical injury to the user, the equipment must not be used for purposes which it was not intended. For example do not use the chainsaw for cutting plastic, masonry, or non-wood building materials. For safety reasons, the equipment is not allowed to be used as a drive unit for other tools of any kind.

Non-permitted users:

Persons who are not familiar with the operating manual, children, young people under the age of 16 as well as persons under the influence of alcohol, drugs or medication do not operate the unit.

Safety regulations

In this user manual, we have marked sections concerning your safety with this sign: ⚠

The user manual also contains other important text marked with the word **“CAUTION!”**

⚠ CAUTION!

When using machines, safety measures must be complied with in order to prevent injury and damage. Therefore, carefully read this operating manual/ these safety notices. If you hand over the machine to others, please also pass on this manual/these safety notices. We are not liable for accidents or damage caused by non-compliance with this manual and these safety notices.

⚠ DANGER

If this instruction is not complied with, there is a considerable danger to life or the risk of life-threatening injuries.

⚠ WARNING

If this instruction is not complied with, there is a danger to life or the risk of severe injuries.

⚠ CAUTION

If this instruction is not complied with, there is a slight to medium risk of injury.

⚠ NOTICE

If this instruction is not complied with, there is a danger of damaging the motor or other objects.

General safety notices

⚠ CAUTION! When working with tools that use fuel, the following basic rules must be followed in order to minimise the risk of physical injury and/or damage to the machine.

Read these notices before using the saw, and store them safely.

1. Do not use the saw when you are tired, ill or under the influence of alcohol and/or drugs.
2. Be careful when handling fuel. Use the saw at a distance of at least 3m from the fuel filling location.
3. Start cutting only when the working environment has been tidied, when you have established secure footing and planned an escape route from the falling tree.
4. Before starting the chainsaw, make sure it is not in contact with any objects.
5. Carry the chainsaw only when the motor has stopped running, the blade cover is on the chain bar and the exhaust is facing away from you.
6. Do not start a chainsaw that is damaged, incorrectly set up or assembled incompletely or loosely. Ensure that the chainsaw stops when the chain brake is activated.
7. Turn off the motor before putting the chainsaw down.
8. When cutting small bushes and saplings, be particularly careful because the thin branches can become caught in the saw and be ejected towards you or unbalance you.
9. When cutting a branch under tension, be aware of potential kickback when the tension is suddenly released.
10. Ensure that handles are dry, clean and free from oil or fuel.
11. Do not cut trees with this chainsaw unless you have the relevant training.
12. The overall maintenance of this chainsaw, apart from the points specified in this manual and these maintenance instructions, must be carried out by an authorised customer service.
13. For transport and storage of the chainsaw, fit the blade cover to the chain bar.
14. Do not work with the chainsaw next to or in the presence of flammable liquids or gases, neither indoors nor outdoors. There is a risk of explosion and/or fire.

15. Do not fill with fuel, oil or lubricant when the chainsaw is running.
16. Only cut suitable material:
Only cut timber. Do not use the chainsaw for work for which it is not suitable. Do not use the chainsaw for cutting plastic, masonry or building materials which are not made of wood, for example.
17. The power tool produces poisonous exhaust fumes as soon as the motor starts. Never work in closed or badly-ventilated rooms.
18. In order to locate significant damage or faults, it is necessary to inspect the machine before use and after dropping or other impacts.
19. If liquid is spilled when filling the oil or fuel tank, the machine must be cleaned before use.
20. National regulations may restrict the use of the appliance.
21. Petrol is highly flammable! When filling the tank, keep at a distance from open flames and do not smoke. There is a risk of fire!
22. Fill the chain oil only when the engine is switched off and cooled down. There is a risk of fire!
23. Only adjust guide-bar and chain with stopped engine

As a chainsaw user, you must follow several points in order to carry out your sawing work without accidents and injuries.

1. A basic understanding of kickback can reduce or exclude the element of surprise. Sudden rash reactions can lead to accidents.
2. When the motor is running, hold on to the saw tightly with both hands, with the right hand on the handle at the back and the left hand on the handle at the front. Thumbs and fingers must firmly clasp the chainsaw's handles. A secure hold helps you to absorb kickback and keep the saw under control. Do not let go.
3. Ensure that the area where you are cutting is free from obstacles. The tip of the chain bar must not come in contact with tree trunks, branches and similar when cutting with the saw.
4. Use a fast motor speed.
5. Do not lean too far forwards and do not cut above your shoulder height.
6. Sharpen and maintain the chainsaw in accordance with the manufacturer's instructions.
7. If the tool becomes jammed during cutting, it has to be turned off immediately and freed carefully. Afterwards, the machine has to be checked for damage (e.g. bent chain bar) and a test run has to be carried out.
8. For felling or cross-cutting, the spike bar (claw stop) must be applied to

the wood to be cut. The use of the spike bar is also recommended when cutting through thick branches.

9. Before every cross-cut, firmly position the spike bar and only then saw into the wood with the chainsaw running. The saw is then lifted up using the rear grip and guided using the front handle. The spike bar acts as a pivot point. Repositioning is done using light pressure on the front handle. Pull the saw back slightly to do this. Insert the spike bar deeper and lift up again using the rear grip.

Use only admitted chain saw and chain bar combination (See chapter: Troubleshooting)

The cutting equipment supplied is optimally matched to this chain saw. When pairing of components do not match, the cutting attachment can be irreparably damaged after only a short operating time and cause injury.

⚠ NOTICE

The following information is mainly for the end user or the infrequent user. This chainsaw has been designed for occasional use by home owners, garden owners and campers, for general work such as clearing, cutting firewood etc. It is not intended for longer work. During longer work, because of vibrations, there is a risk of circulation problems in the user's hands (white-finger-syndrome).

White-finger-syndrome (Raynaud's Disease) is a vascular disease where the small blood vessels in fingers and toes contract seizure-like. The affected areas are no longer supplied with blood and therefore look very pale.

Frequent use of vibrating machines can cause nerve damage in people whose circulation is compromised (e.g. smokers, people with diabetes).

If you notice unusual impairment, immediately stop the work and consult a doctor. Observe the following notices in order to reduce risks:

- Keep your body, and particularly your hands, warm in cold weather.
- Take regular breaks during which you should move your hands to promote circulation.
- Ensure the lowest possible vibration of the machine by regularly maintaining it and keeping components tight.

Personal safety

- **Never use only one hand when using the saw!** Otherwise there is a risk that operating staff, helpers or onlookers may get injured. A chainsaw has been designed for use with both hands.
- **Wear your Personal Protective Equipment (PPE), consisting of:** Cut-resistant and non-slip safety shoes, cut-protection trousers, hi-vis vest or jacket in signal colours, gloves and a helmet with visor and hearing protection.
- When starting the chainsaw or cutting with it, no other people should be close to you. Ensure onlookers and animals cannot get into the working environment.
- When the motor is running, all body parts must point away from the chainsaw.

Safety notices for handling flammable fuels

1. **WARNING!:** Petrol is easily flammable!
2. Store petrol in containers that have been designed specially for this purpose.
3. Refill with petrol when you are outdoors, and do not smoke.
4. Refill with petrol before starting the motor. Never remove the fuel tank filler cap or refill with petrol while the motor is running or when it is still hot.
5. When fuel has been spilled, do not start the motor but remove the machine from the area of the spilled fuel and avoid all ignition sources until all petrol fumes have dispersed. Put the cap back securely on the fuel tank and on the canister.

Refuelling

- Turn off the motor before refuelling.

⚠ CAUTION! Always open the fuel filler cap carefully so the existing pressure can be released slowly.

- High temperatures are generated on the casing during work. Before refuelling, allow the machine to cool down fully.

⚠ CAUTION! If the machine has not cooled down sufficiently, the fuel could ignite during refuelling and cause severe burns.

- Ensure that the tank is not overfilled. If you spill any fuel, it has to be wiped away immediately and the machine must be cleaned.

- Always close the screw plug on the fuel tank properly, so loosening is prevented from vibrations during operation.

⚠ DANGER

Never refuel the machine close to an open flame.

SPECIAL SAFETY REGULATIONS FOR THE USE OF INTERNAL COMBUSTION MOTORS

⚠ DANGER

Internal combustion motors are a particular danger during operation and refuelling. Always read and follow the warnings. Non-compliance can lead to severe and even lethal injuries.

1. Do not make any modifications to the machine.
2. **⚠ CAUTION!**
Risk of poisoning! Exhaust fumes, fuel, lubricating oil vapor, sawdust and lubricants are poisonous. Exhaust fumes must not be inhaled.
3. **⚠ CAUTION!**
Risk of burns! Do not touch the exhaust system and the drive motor.
4. Do not use the machine in unventilated rooms or easily flammable environments.
5. **⚠ Risk of explosion!**
Never use the machine in rooms with easily flammable substances.
6. During transport, secure the tool against sliding and tilting.
7. Ensure that no fuel is spilled on the motor or the exhaust during refuelling.
8. Repairs and setting work must be carried out by authorised specialists.
9. Do not touch mechanically moving or hot parts. Do not remove protective covers.
10. The values specified in Technical Data under sound power level (L_{WA}) and sound pressure level (L_{pA}) are emission levels and do not necessarily represent safe working levels. As there is a connection between emission and immission levels, it cannot be used reliably to determine potentially required, additional safety measures. Factors influencing the current employee's immission level include characteristics of the working environment, other noise sources etc. such as the number of machines and other nearby processes and the time frame the user is exposed to the noise.

The reliable immission level can also vary by country. However, this information will give the machine's user the opportunity to carry out a better risk assessment.

11. Never put objects into the venting slots. This also applies when the machine is turned off. Non-compliance can cause injuries or damage to the machine.
12. Keep the tool free from oil, dirt and other contaminants.
13. Ensure that sound absorbers and air filters function properly. These parts act as flame protection in the event of misfire.
14. Turn off the motor:
 - Whenever you leave the machine
 - Before refuelling.
15. Never use the choke lever to stop the motor.

Safety functions of the chainsaw (Fig.1)

SAW CHAIN (2) WITH LOW KICKBACK

helps significantly reduce kickback, or the intensity of kickback, due to specially designed depth gauges and guard links.

CHAIN BRAKE LEVER / FRONT HAND GUARD (3)

protects the operator's left hand in the event it slips off the front handle while saw is running.

CHAIN BRAKE

is a safety feature designed to reduce the possibility of injury due to kickback by stopping a moving saw chain in milliseconds. It is activated by the CHAIN BRAKE LEVER (3).

SAFETY LOCK (7)

prevents accidental acceleration of the engine. Throttle lever (18) cannot be squeezed unless the safety latch is depressed.

STOP SWITCH (19)

immediately stops the engine when actuated. Stop switch must be pushed to position "I" to start or restart the engine.

CHAIN GUARD (20)

fitted when the engine is stopped, prevents the danger of cutting injury from the chain teeth.

CHAIN CATCHER (13)

reduces the danger of injury in the event saw chain breaks or derails during operation. The chain catcher is designed to intercept a whipping chain.

NOTICE

Familiarise yourself with the saw and its components.

Warning notices for chainsaws

- **When the saw is running, keep all body parts away from the saw-chain. Before starting the saw, ensure that nothing touches the saw-chain.** When working with a chainsaw, a moment of carelessness can cause clothing or body parts to be caught by the saw-chain.
- **Do not work with this chainsaw on a tree unless you are especially trained for this.** In the event of improper use of a chainsaw on a tree, there is a risk of injury.
- **When cutting a branch under tension, expect it to spring back.** When the tension is released, the branch can hit the operator and/or take away control of the chainsaw.
- **Be particularly careful when cutting undergrowth and young trees.** Thin material can get caught in the saw-chain and be ejected in your direction or make you lose your balance.
- **Carry the chainsaw by the front handle with the saw-chain not moving and the guide bar pointing backwards. During transport and storage of the chainsaw always attach the safety cover.** Careful handling of the chainsaw reduces the likelihood of accidentally touching the running saw-chain.
- **Follow the instructions for lubrication, chain tension and replacement of accessories.** An improperly tensioned or lubricated chain can either break or increase the kickback risk.
- **Keep handles dry, clean and free from oil and grease.** Greasy, oily handles are slippery and cause loss of control.

Causes and prevention of kickback:

- Kickback can occur when the tip of the guide bar touches an object or when the timber bends and the saw-chain becomes caught in the cut.
- Contact with the guide bar tip can, in some cases, lead to an unexpected backwards reaction in which the guide bar is thrown up and in the direc-

tion of the operator.

- If the saw-chain becomes caught at the top of the guide bar, the guide bar can quickly kick back towards the operator.
- Each of these reactions can cause you to lose control over the saw and potentially to get severely injured. Do not exclusively trust the safety devices built into the chainsaw. As the user of a chainsaw, you should take different measures to work accident and injury free.

Kickback is the consequence of incorrect or erratic use of the machine. It can be prevented by appropriate safety measures such as described below:

- **Hold the saw with both hands, ensuring thumbs and fingers clasp the handles of the chainsaw. Position your body and arms in such a way that you can withstand kickback forces.** If appropriate measures are taken, the operator can control kickback forces. Never let go of the chainsaw.
- **Avoid an abnormal body posture and do not saw above shoulder height.** This prevents accidental contact with the tip of the guide bar and it enables better control of the chainsaw in unexpected situations.
- **Always use replacement guide bars and saw-chains specified by the manufacturer.** Incorrect replacement guide bars and saw-chains can cause breaking of the chain and/or kickback.
- **Follow the manufacturer's instructions concerning sharpening and maintenance of the saw-chain.** Over-reduction of depth limiters increases kickback tendency.

Safety notices for maintenance / storage

Have your machine repaired by qualified specialists and only with original spare parts. This ensures the safety of the machine. Always follow the maintenance and servicing hints in this manual to keep the chain saw in good working conditions.

1. Before use, always visually check the tool for wear and tear or damage. Replace worn or damaged components and bolts. Tighten all nuts, bolts and machine screws to ensure that the equipment is in a safe operating condition.
2. Regularly check the fuel system for leakage or signs of abrasion, for example from porous fuel lines, loose or missing clamps and damage to the tank or the tank lid. All faults must be resolved before use.
3. Before checking or adjusting the machine or the motor, remove the spark

plug or the ignition cable, respectively, to prevent accidental start-up.

Storage

- Before storage, clean and maintain the chainsaw according to the instructions in the chapters in this manual.
- Always follow the hints of the storage chapter in this manual.
- Never store the equipment with fuel in the tank inside buildings where the fumes can come into contact with open fire or sparks.
- Before storing the chainsaw in a closed room, allow the motor to cool down.
- In order to reduce the risk of fire, keep the motor sound absorbers and fuel storage area free from organic material and excessive lubricant.

Long-term storage/packing away for winter

- If you are storing the machine long-term or for winter, remove all the fuel. Fuels are chemical compounds that change their properties when stored long-term.
Removing the fuel must take place outdoors.

WARNING

Improper maintenance or non-compliance or not resolving a problem can become a hazard during operation. Only ever work with machines that have been serviced regularly and properly. This is the only way you can ensure that you can run your machine safely, economically and without problems. Do not clean, service, adjust or repair the tool when it is running. Moving parts can cause severe injuries.

Do not use petrol or other flammable solvents to clean the machine components.

WARNING

Fumes from fuel and solvents can cause explosions.

After repairs and maintenance work, re-attach the safety devices to the machine.

Ensure the machine is operational, in particular, check the fuel system for leak-tightness.

Always clear the motor's cooling fins of contamination.

⚠ DANGER

The manufacturer of this equipment shall be not liable to the applicable Product Liability Act for damages arising in this device or this unit at:

- Installation and replacement of non-original spare parts,
- Removal or alteration of safety components.

Remaining risks

⚠ DANGER

MECHANICAL HAZARDS

created by cutting and impact, related to the saw chain.

ELECTRICAL HAZARDS

from contact with parts under high voltage (direct contact) or parts which have become high voltage under faulty conditions (indirect contact).

THERMAL HAZARDS

which can result in burns, scalds and other injuries, created by possible contact of persons with objects or materials with high temperature including the radiation of heat sources.

NOISE HAZARDS

which can result in hearing losses (deafness) and other physiological disorders (e.g. loss of balance, loss of awareness), and interference with auditory signals and speech communication.

Always use hearing protection, if you use the chain saw.

VIBRATION HAZARDS

which can result in peripheral circulatory and nervous functional disturbances in the hand-arm system, such as white finger disease.

- Hazards from contact with or inhalation of harmful fluids, gases, mists, fumes and dusts related to exhaust gases.
- Hazards from unhealthy postures or excessive efforts related to machine use.
- Hazards from unexpected start-up, unexpected overrun/over-speed from failure/disorder of the control system related to failure in the handles and position of the controls.
- Hazards from failure of the control system related to handle strength, position of controls and marking.
- Hazards from break up (chain) during operation related to saw chain.
- Hazards from ejection of objects or fluids related to chip discharge and fuel

spillage.

- Hazards from dropping the chain-saw while working in a tree.
- Always wear safety gloves to minimize the vibrations.

RISK OF INJURY !

Contact with the saw-chain can lead to fatal cutting injuries.
Never put your hands into the running saw-chain.

RISK OF KICKBACK!

Kickback can lead to fatal cutting injuries.

RISK OF BURNING!

The chain and the guide bar heat up during operation.

Behaviour during an emergency

Start First Aid measures relevant to the injury and request medical help as quickly as possible. Prevent the injured person from further injury and keep him/her rested. For potentially occurring accidents, the First Aid kit should always be handy at the work place. Material taken from the First Aid kit must be replaced immediately. When you are requesting help, give the following information:

1. Location of accident
2. Type of accident
3. Number of injured people
4. Type of injuries

Store all safety notices and instructions for the future.

Set up

Before starting the equipment

This chainsaw is supplied ready-assembled.

Check that all moving parts move smoothly before you start using the equipment.

Check that all screws are securely fastened and also check all the safety devices.

Before adding fuel and starting the chainsaw, you must check the tension of the chain in case some of the fixings have come loose in transit.

Re-tension the chain, if this is necessary.

1. THIS CHAINSAW IS SUPPLIED READY-ASSEMBLED.

Remove the chain guard (20) before use.

2. IF IT IS NECESSARY TO RE-TENSION THE CHAIN

Adjusting the chain tension

The correct tension of the saw chain is extremely important and must be checked before starting and periodically during all sawing work. If you take time to adjust the saw chain correctly, you will be able to make better cuts and the life of the chain will be prolonged.

- Undo the bar fastening wheel (Fig. 2/pos. 14) by 1/2 of a turn **ANTI-CLOCKWISE**.
- Hold the tip of the chain bar upwards and turn the chain tensioning wheel (Fig. 2/pos. 12) in a **CLOCKWISE DIRECTION** in order to increase the chain tension. If you turn the chain tensioning wheel an **ANTI-CLOCKWISE DIRECTION**, the chain tension will be reduced. Check that the chain is seated around the entire chain bar (Fig. 3/pos. X3).
- After making the adjustment and with the tip of the bar still upwards, tighten the bar fastening wheel (Fig. 2/pos. 14). The chain is correctly tensioned when it is closely seated and can be pulled right around by hand, when the chain brake lever (3) is released.

⚠ WARNING

Wear high-strength gloves at all times when handling or adjusting the saw chain.

⚠ If the chain is hard to turn around the chain bar or jammed, it is too tightly tensioned. Make the following small adjustments:

A Undo the bar fastening wheel (Fig. 2/pos. 14) by 1/2 of a turn **ANTI-CLOCKWISE**.

Then slacken the chain tension by slowly turning the chain tensioning wheel (Fig. 2/pos. 12) in a **ANTI-CLOCKWISE DIRECTION** and then pull the chain back and forth on the bar (Fig. 4). Continue until the chain can be moved smoothly but is still closely seated (Fig. 3/pos. X2). Increase the tension by turning the chain tensioning wheel in a **CLOCKWISE DIRECTION**.

B When the saw chain is correctly tensioned, hold the tip of the bar upwards and completely tighten the bar fastening wheel (Fig. 2/pos. 14).

△ A new saw chain stretches, requiring adjustment after as few as 5 cuts. This is normal with a new chain, and the interval between future adjustments will lengthen quickly.

△ If the saw chain is **TOO LOOSE** or **TOO TAUT**, the drive wheel, chain bar, chain and crank shaft bearing will suffer premature wear. Fig. 3/pos. X2 shows the correct tension (when cold) and Fig. 3/pos. X3 shows the tension (when warm). Fig. 3/pos. X1 shows a chain that is too loose.

3. CHAIN BRAKE MECHANICAL TEST

Your chainsaw is equipped with a chain brake that reduces the possibility of injury due to kickback. The brake is activated if pressure is applied against the brake lever when, as in the event of kickback, the operator's hand strikes the lever. When the brake is actuated, chain movement stops abruptly.

WARNING

The purpose of the chain brake is to reduce the possibility of injury due to kickback; however, it cannot provide the intended measure of protection if the saw is operated carelessly. Always test the chain brake before using your saw and periodically while on the job. (See below for details of how to perform a test of the mechanical brake).

4. TO TEST CHAIN BRAKE

- The chain brake is **DISENGAGED** (chain can move) when the **BRAKE LEVER (3) IS PULLED BACK AND LOCKED** shown in Fig. 5.
- The chain brake is **ENGAGED** (the chain is locked) when the brake lever (3) is pulled forward (shown in Fig. 6). It should not be possible to move the chain (Fig. 4).

⚠ WARNING

The brake lever should snap into both positions. If strong resistance is felt, or the lever does not move into either position, do not use your saw. Take it immediately to a professional Service Centre for repair.

5. FUEL AND OIL – RECOMMENDED FUELS

Use only a mixture of unleaded petrol (without ethanol) and 2-stroke engine oil. Mix the fuel mixture as indicated in the fuel mixing table.

⚠ CAUTION

Do not use a fuel mixture which has been stored for longer than 90 days.

⚠ CAUTION

Never use 2-stroke oil with a recommended mixing ratio of 100:1. The manufacturer's warranty will be voided in case of engine damage due to inadequate lubrication.

⚠ CAUTION

Only use containers designed and approved for the purpose to transport and store fuel. Pour the correct quantities of petrol and 2-stroke oil into the mixing bottle provided (see scale printed on the bottle). Then shake the bottle well.

Recommended fuels

Some conventional petrols are being blended with oxygenates such as alcohol or an ether compound to meet clean air standards. Your engine is designed to operate satisfactorily on any petrol intended for automotive use including oxygenated petrols.

It is essential to use unleaded petrol as fuel.

Lubrication of chain and chain bar

Whenever you refill the fuel tank with petrol you must also top up the level of chain oil in the chain oil tank. It is recommended to use standard chain oil.

6. FUEL MIXING TABLE

Mixing Procedure: 40 parts petrol to 1 part 2-stroke oil.

Petrol	2-stroke oil
1 litre	25 ml
5 litres	125 ml

CAUTION

Never start or operate the saw unless the bar, chain and chain brake lever / front hand guard are properly installed.

1. Fill the fuel tank with correct fuel mixture (Fig. 7/pos. 8).
 2. Fill the oil tank with chain oil (Fig. 7/pos. 10).
 3. Be certain the chain brake is activated before starting the unit (Fig. 6/pos 3).
- Once you have filled the chain and oil tank, tighten the tank cover securely by hand.

Do not use any tools to do so.

7. IDLE SPEED ADJUSTMENT

If the cutting attachment still rotates in idle speed, contact Authorized Service Centers for correct idle speed adjustment.

Note: When the engine is idling the cutting attachment must not rotate under any circumstances!

Operation

Please note that the statutory regulations governing noise abatement may differ from one location to another.

Each time before use, check the following:

- That there are no leaks in the fuel system.
- That the equipment is in perfect condition and that the safety devices and cutting devices are complete.
- That all screws are securely fastened.
- That all moving parts move smoothly.

Starting the engine when cold

Make sure, that the fuel tank is filled with the relevant mixture of petrol and also top up the chain oil.

1. Activate the chain brake before starting (Fig. 6/pos 3).
2. Switch the stop switch to '0' (OFF) (Fig. 8 / pos 19).
3. Pull the choke (16) fully out until it locks (Fig. 9/arrow direction 1).
4. Push the primer bubble (17) 10 times (Fig. 1).
5. Place the saw on a firm, flat surface. Hold the saw firmly as shown. Pull the starter handle (6) rapidly 2 times. (Fig. 10) Beware of moving chain!
6. Push in the choke lever as far as it will go (Fig. 9/arrow direction 2).
7. Switch the stop switch to '1' (ON) to start the machine (Fig. 8/ pos. 19).
8. Hold the saw firmly and pull the starter handle (6) rapidly 4 times. Engine should start (Fig. 10).

CAUTION

Never allow the starter handle (6) to snap back when it has been pulled out. This may result in damage.

CAUTION

Since the choke (Fig. 9/arrow direction 1) is closed, the chain starts to move and rotate **AT HIGH SPEED**, immediately when the engine is started.

9. Let the engine run for 10 seconds to warm up. Press the safety lock (7) & throttle lever (18) briefly, the engine will go to 'idling' speed (Fig. 11).

CAUTION

Always pull the starter handle (6) slowly (until you feel the initial resistance) before pulling it quickly to start the engine.

Do not allow the starter handle (6) to whip back of its own accord.

If the engine does not start up even after several attempts, read the section 'Troubleshooting'.

Always pull out the starter handle (6) in a straight line. If it is pulled out at an angle, friction will occur on the eyelet.

As a result of this friction, the starter handle (6) will become frayed and will wear away faster. Always hold the starter handle (6) when the starter line retracts.

Starting the engine when warm

(The equipment has been idle for less than 15-20min)

Fill up the fuel tank with the relevant mixture of petrol and oil (Fig. 7), and also top up the chain oil (Fig. 7). See the section 'Fuel and oil'.

1. Activate the chain brake before starting (Fig. 6/pos 3).
2. Make sure the stop switch is in the 'I' (ON) position (Fig. 8 / pos 19).
3. Set the equipment down on a firm level flat surface. Hold the saw firmly as shown. (Fig. 10) Beware of moving chain!
4. Pull the starter handle rapidly 6 times (Fig. 10/pos. 6). The engine should start. If the equipment does not start after 6 tugs, repeat the steps of the procedure for starting the engine from cold.

Each time before use, check the following:

- That there are no leaks in the fuel system.

SWITCHING OFF THE ENGINE

Emergency Stop procedure:

To stop the engine in an emergency, activate the Chain brake lever / front hand guard (Fig.6/pos. 3). This will immediately stop the chain. Then switch the stop switch (Fig. 8/pos. 19) to '0' Stop.

Normal procedure:

Let go of the throttle lever (Fig. 11/pos. 18) and wait until the engine has changed to idling speed. Then set the stop switch (Fig. 11/pos.19) to '0' Stop.

Practice all the work steps with the engine switched off before you start to use the equipment.

⚠ CAUTION

When idling, the saw chain (2) should not move. If the saw chain (2) moves, you need to adjust the idling speed!

Operating Instructions

⚠ WARNING

Beware of the following:

- Rotary recoil (Fig. 12)
A = Recoil distance / B = Recoil reaction zone
- Impact/Jamming recoil and pulling reactions (Fig. 13)
A = Pull / B = Solid objects / C = Push
- To prevent pulling reactions, place the wood you wish to cut against the spiked bumper (11). Use the spiked bumper as a pivot point during cutting.
- Make sure that the chainsaw cannot swing through at the end of the cut due to its own weight. If it is no longer supported in the cut, hold something appropriate against it.

⚠ Important notices

- 1) Turn off the motor if the saw comes in contact with foreign objects. Check the saw and, if applicable, repair it.
- 2) Protect the chain from dirt and sand. Even small quantities of dirt can quickly make the chain blunt and increase the risk of kickback.
- 3) Start by cutting up smaller logs to practise in order to get a feel for the device, before attempting difficult tasks.
- 4) Activate the throttle at maximum, before starting sawing.
- 5) Press the casing of the chainsaw against the log when starting sawing.
- 6) Run the device at full throttle throughout the whole sawing process.
- 7) Let the saw do the work. Only use slight downwards pressure.
- 8) Release the throttle as soon as you have finished your work so the motor runs idle. If you let the machine run at full throttle without load, there will be unnecessary wear and tear.
- 9) So that you do not lose control of the device after the chain exits the wood, you should not apply any pressure to the saw towards the end of the cut.
- 10) Turn off the device before putting it down.
- 11) Check after starting the idle setting. The cutting blade must be stationary during idling.

Felling trees - only with relevant training

CAUTION

Watch out for broken or dead branches which may fall down during sawing and which could cause severe injuries. Do not saw close to buildings or power lines if you do not know in which direction the felled tree will fall. Do not work at night because you can see less well, or during rain, snow and storms because the direction in which the tree will fall cannot be anticipated.

- Plan your work with the chainsaw in advance.
- The working environment around the tree should be cleared so you have secure footing.
- The machine operator should always be positioned at a higher level in the working area because the tree will probably roll or slide down after felling.

The following conditions can influence the tree's falling direction:

- Wind direction and speed
- Leaning of the tree - The leaning direction cannot always be recognised because of uneven or sloping ground. Determine the leaning direction of the tree using a plumb line or a level.
- Branches growing (and therefore weight) only on one side
- Surrounding trees or obstacles

Look out for destroyed or decayed parts of the tree. If the trunk is decayed, it can suddenly break and fall on you. Make sure there is sufficient space for the falling tree. Keep a distance of 2½ tree lengths to the next person or other objects. The sound of the motor can drown out warning cries.

Remove dirt, stones, loose bark, nails, brackets and wire from the sawing area.

Ensure you have a free escape route (Fig. 14)

Position 1: Escape route

Position 2: Falling direction of the tree

Felling of large trees (from 15cm diameter) - only with relevant training

The undercutting method is used for felling large trees. For this, a wedge is cut out from the side of the tree according to the required falling direction. After the dropping cut has been made on the other side of the tree, it will fall in the direction of the wedge cut.

 **NOTICE**

If the tree has large prop/buttress roots, these should be removed before the wedge is cut. If the saw is used for removing the prop/buttress roots, the saw-chain should not touch the ground so the chain does not become blunt.

Undercut and felling the tree (Fig. 15-16)

- For the undercut, first cut the upper part (Pos. 1) of the wedge (Pos. 2). Cut 1/3 of the way into the tree. Then saw the lower part (Pos. 3) of the wedge (Pos. 2). Now remove the wedge you have cut out.
- Afterwards, you can carry out the dropping cut on the opposite side of the tree (Pos. 4). For this, start about 5cm above the middle of the cut. In this way, there is enough wood between the dropping cut (Pos. 4) and the wedge (Pos. 2) so that it functions as a hinge. This hinge is designed to guide the tree in the right direction when falling.

 **NOTICE**

Before completing the dropping cut, if required, increase the cut using wedges to control the direction of the fall. Exclusively use wood or plastic wedges. Steel or iron wedges can cause kickback and damage to the device.

- Be aware of signs that the tree is beginning to fall: Cracking sounds, the dropping cut opening or movement in the upper branches.
- When the tree begins to fall, stop the saw, put it down and leave immediately via your escape route.
- To prevent injuries, do not cut partly felled trees with your saw. Beware especially of partly felled trees which are not supported. If a tree does not fall down completely, remove the saw and help the process along with a cable winch, a pulley or a towing vehicle.

Sawing a felled tree (log division)

The term “log division” describes the cutting up of a felled tree into logs of the desired length.

⚠ CAUTION

Do not stand on the log you are currently cutting. The log could roll away and you may lose your footing and control of the device. Do not carry out sawing work on sloping ground.

Important notices

- Only ever saw one log or branch.
- Be careful when cutting split wood. You may be hit by sharp pieces of wood.
- Cut small logs or branches on a sawhorse. When cutting logs, no other person must hold on to the log. Do not secure the log with your leg or foot.
- Do not use the saw in areas where logs, roots and other parts of the tree are entangled. Pull the logs to a free area and cut the freed logs first.

Different cuts for log division (Fig. 17)**⚠ CAUTION**

If the saw is jammed in a log, do not pull it out with force. You may lose control of the device and suffer severe injuries and/or damage the saw.

Stop the saw and drive a plastic or wooden wedge into the cut until the saw can be pulled out easily. Restart the saw and carefully continue with the cut. Never start the saw when it is jammed in a log.

Topping (Fig. 18, Pos. 1)

Topping starts at the upper side of the log where you hold the saw against the log. Only use slight downwards pressure for topping.

Undercut (Fig. 18, Pos. 2)

Start the undercut on the underside of the log and hold the top edge of the saw against the log. Only use slight upwards pressure for the undercut. Hold the saw securely to control the device. The saw will push backwards (in your direction).

⚠ CAUTION

Never hold the saw the wrong way round for an undercut. You do not have control of the device in this position. Always make the first cut on the compression side of the log. The compression side of the log is where the pressure of the log's weight is concentrated.

Log division without supports (Fig. 19)

- Using topping (Pos. 1), saw 1/3 of the way into the tree.
- Turn the log around and make a second top cut (Pos. 2).
- When sawing on the compression side, make sure the saw does not get jammed. See Figure for cuts in logs on the compression side.

Log division with log or support (Fig. 20-21)

- Always remember to make the first cut (Pos. 1) on the loaded side of the log.
- Cut 1/3 into the log for this.
- Make a second cut (Pos. 2).

Trimming and pruning

CAUTION

Always be careful and protect yourself from kickback. Never let the moving chain at the tip of the chain guide come in contact with other branches or objects during trimming or cutting branches. Such contact can lead to serious injuries.

CAUTION

Never climb into the tree for trimming or pruning. Do not stand on ladders, platforms etc. You could lose your balance and control of the device.

Important notices

- Work slowly and hold on to the saw with both hands. Ensure a secure standing position and balance.
- Beware of recoiling parts of the tree. Practise extreme caution when cutting small parts of the tree. Flexible material can get caught in the saw-chain and be ejected in your direction or make you lose your balance.
- Beware of recoiling parts of the tree. This particularly applies to bent or loaded branches. Avoid coming in contact with the branch or the saw when the tension on the wood is released.
- Keep your working area clear. Clear the path of branches so you do not trip over them.

Trimming

- Do not start trimming the tree before it has been felled. Only then can you carry out the trimming safely and properly.
- Leave larger branches underneath the felled tree and use them as a support while you continue working.
- Start at the foot of the felled tree and work your way up to the top. Remove smaller parts of the tree with one cut.
- Make sure that the tree is always between you and the saw.
- Remove larger, supporting branches using the method from section “Log division without supports”.
- Always remove small freely suspended parts of the tree with a top cut. They may fall into the saw or trap it if you use an undercut.

Pruning (Fig. 22)

 **CAUTION**

Prune branches only at or below shoulder height. Never cut branches above shoulder height. Leave that kind of work to a professional.

- For the first cut (Pos. 1), cut 1/3 of the way into the lower part of the branch.
- Then cut all the way through the branch with the second cut (Pos. 2). The third cut (Pos. 3) is a top cut with which you separate the branch from the trunk at a distance of 2.5 to 5cm.

Cleaning

CAUTION

Set the stop switch (Fig. 8/pos. 19) '0' stop before doing any cleaning and maintenance work!

Carrying out any cleaning work

- The equipment should be cleaned thoroughly every time after it has been used. This applies particularly to the chain and bar.
- Keep the air vents and the motor housing free of dirt and dust as far as possible. Wipe the equipment with a clean damp cloth or blow it down with compressed air at low pressure.
- It is easiest to remove sawdust and wood chippings immediately after use.
- Clean the equipment regularly with a damp cloth and some soft soap. Do not use cleaning agents or solvents; these may be aggressive to the plastic parts in the equipment. Ensure that no water can get into the interior of the equipment.

Maintenance and servicing

MAINTENANCE

CAUTION

All maintenance work on the chainsaw apart from the work described in this manual may only be carried out by authorised after-sales service personnel.

Chain brake operational test

Test the chain brake periodically to ensure proper function. Perform a chain brake test prior to initial cutting, following extensive cutting, and definitely following any Chain brake service.

Test chain brake as follows:

1. Place saw on a clear, firm, flat surface.
2. Start the engine.
3. Grasp the rear handle with your right hand.
4. With your left hand, hold the front handle (Fig. 1/pos. 4) (not chain brake lever / pos. 3) firmly.

- Squeeze the throttle lever (Fig. 1/pos. 18), then immediately activate the chain brake lever (Fig. 6/pos. 3).

⚠ CAUTION

Activate the chain brake slowly and deliberately. Keep the chain from touching anything, don't let the saw tip forward.

- Chain should stop abruptly. When it does, immediately release the throttle lever.

⚠ CAUTION

If chain does not stop, turn engine off and take your unit to the nearest Authorized Service Centre for service.

- If the chain brake functions properly, turn the engine off and return the chain brake to the **DISENGAGED** position.

Air Filter**⚠ NOTICE**

Never operate the saw without the air filter. Dust and dirt will be drawn into the engine and damage it. Keep the air filter clean! The air filter must be cleaned or replaced after every 20 hours of service.

Cleaning the air filter

- Ensure the stop switch (Fig. 8/pos. 19) is set to '0' stop.
- Remove the air filter cover (Fig. 23/pos. 5) by removing the clips as shown in figure 23. You can then remove the cover (Fig. 24/pos. 5).
- Remove the air filter fastening knob (Fig. 25/pos. A) by turning anti-clockwise.
- Lift out the air filter (Fig. 25/pos. B).
- Clean the air filter. Wash the filter in clean, warm, soapy water. Rinse in clear, cool water. Air dry completely before refitting.
It is advisable to have a supply of spare filters.
- Insert the air filter (Fig. 25/pos. B). Turn the air filter fastening knob (Fig. 25/pos. A) clockwise to secure the air filter. Refit the air filter cover. Make sure that the air filter cover (Fig. 23/pos. 5) fits perfectly. Tighten the clips for the cover (Fig. 23).

Fuel Filter

NOTICE

Never use the saw without a fuel filter. After 100 hours in operation the fuel filter should be cleaned or, in case of damage, replaced. Be sure to empty the fuel tank before changing the filter.

1. Ensure the stop switch (Fig. 8/pos. 19) is set to '0' stop.
2. Remove the fuel tank cap (Fig. 7/pos. 8).
3. Bend a piece of soft wire.
4. Reach into the fuel tank opening and hook the fuel line. Carefully pull the fuel line toward the opening until you can reach it with your fingers.

NOTICE

Do not pull hose completely out of tank.

5. Lift the filter out of tank.
6. Pull the filter off the fuel pipe with a twist and clean it. (If the filter is damaged, dispose of it and replace it with a new filter).
7. Insert the end of the cleaned /new filter onto the fuel pipe. Place one end of the filter into the tank opening. Make sure that the filter is seated in the lower corner of the tank. If necessary, use a long screwdriver to move the filter to its correct position, taking care not to damage it in the process.
8. Fill tank with fresh fuel / oil mixture. See the chapter: Set up.
Securely refit the fuel tank cap (Fig. 7/pos. 8).

Spark plug (Fig. 26)

NOTICE

To ensure that the saw's engine retains its power, the spark plug must be clean and have the correct electrode gap (0.6-0.7 mm). The spark plug must be cleaned or replaced after every 20 hours of service.

1. Ensure the stop switch (Fig. 8/pos. 19) is set to '0' stop.
2. Remove the air filter cover (Fig. 23/pos. 5) and the air filter (Fig. 25/pos. B).
3. Disconnect the spark plug boot (Fig. 27/pos. C) from the spark plug (Fig. 27/pos. D) by pulling and twisting it simultaneously.
4. Remove the spark plug using the supplied spark plug wrench (Fig. 1/pos. 23). **DO NOT USE ANY OTHER TOOLS.**

5. Clean the spark plug with a copper wire brush and refit it, or fit a new spark plug.

Carburettor and idling speed settings

NOTICE

Settings on the carburettor may only be made by authorised customer service personnel.

How to remove the chain or chain bar for replacement maintenance & cleaning

1. Make sure the chain brake lever is pulled back into the **DISENGAGED** position (Fig. 5).
2. Extend the lever on the bar fastening wheel (Fig. 2/pos. 14) and completely unscrew it **ANTI-CLOCKWISE**.
Then remove the complete side cover.

Chain bar maintenance (Fig. 28)

Regular lubrication of the chain bar (guide rail for the chain and teeth) is essential. The chain bar needs the maintenance described in the following section in order for the saw to work at an optimum level of performance.

NOTICE

The sprocket tip on your new saw has been pre-lubricated at the factory. Failure to lubricate the guide bar sprocket tip as explained below will result in poor performance and seizure, voiding the manufacturer's warranty.

To lubricate the sprocket tip

If the saw is used intensively it will be necessary to lubricate the guide bar sprocket tip (E) regularly (once a week).

To do this, first thoroughly clean the 2 mm hole (F) at the tip of the guide bar, and then press in a small amount of multi-purpose grease.

Multi-purpose grease and grease guns are available in specialty retail trade.

NOTICE

The saw chain does not have to be removed in order to lubricate the sprocket tip of the chain bar. Lubrication is possible during work, with the engine switched off.

 **CAUTION**

Wear heavy duty work gloves when handling the bar and chain.

Most guide bar problems can be prevented merely by keeping the chainsaw well maintained. Insufficient guide bar lubrication and operating the saw with a chain that is **TOO TIGHT** will contribute to rapid bar wear. To help minimize bar wear, the following guide bar maintenance procedures are recommended.

 **CAUTION**

Always wear protective gloves during maintenance operations.
Do not carry out maintenance when the engine is hot.

Turning the chain bar

The bar should be reversed every 8 working hours to ensure uniform wear.

Remove the complete side cover, chain bar and chain by loosening the bar fastening wheel (14) completely.

Keep the bar groove and lubrication hole clean (Fig. 28).

Check the bar rails frequently for wear and, if necessary, remove the burrs and square-up the rails using a flat file (Not supplied).

Remount the the chain bar (reversed side), chain and side cover.

 **CAUTION**

Never fit a new chain to a worn chain bar.

CHAIN MAINTENANCE

Chain sharpening

Chain sharpening requires special tools to ensure that cutters are sharpened at the correct angle and depth. For the inexperienced chainsaw user, we recommend that the saw chain be professionally sharpened by the nearest professional Service Centre. If you feel comfortable sharpening your own saw chain, special tools are available from the professional Service Centre.

Sharpen the chain using protective gloves. After sharpening, the cutting links must all have the same width and length.

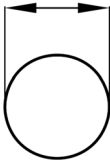
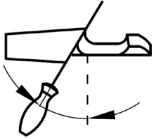
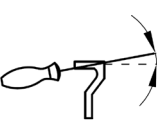
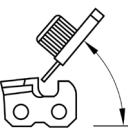
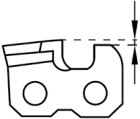
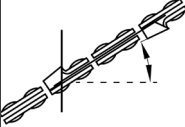


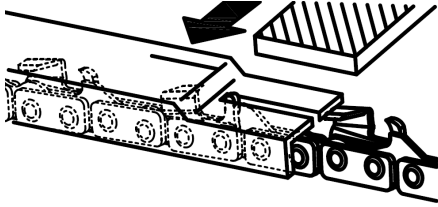
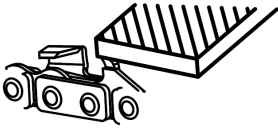
Cutting links with different width and length can cause a kickback.

⚠ NOTICE

A sharp chain produces well-defined chips. When your chain starts to produce sawdust, it is time to sharpen.

After the blades have been sharpened 3-4 times, check the height of the depth limiter and if necessary lower it with a flat file and then round off the front corner.

Instructions for sharpening a saw chain:

	File diameter (not included)	Upper angle	Lower angle	Upper tilt angle (55°)	Standard depth
Chainsaw type					
		Chucking rotation angle	Chucking inclination angle	side angle	
					
91P	ca. 4.0 mm	30°	0°	80°	0.64 mm
					
depth stop				file	

CHAIN MAINTENANCE (CONTINUED)

Chain tension

Check the chain tension frequently and adjust as often as necessary to keep the chain snug on the bar, but loose enough to be pulled around by hand.

Breaking in a new saw chain

A new chain and bar will need chain readjustment after as few as 5 cuts. This is normal during the break-in period, and the interval between future adjustments will begin to lengthen quickly.

CAUTION

Never have more than 3 links removed from a loop of chain. This could cause damage to the sprocket.

Re-assembly of the chain bar and chain to the engine unit

CAUTION

Do not start the engine until the saw is fully assembled.

CAUTION

Wear protective gloves at all times when handling the chain.

Fit the chain bar

To ensure that the bar and the chain are supplied with oil, **USE ONLY THE ORIGINAL BAR.**

The oiling hole (Fig. 29/pos. G) must be kept clear of dirt and any build-up of residue.

1. Make sure the chain brake lever (Fig. 5/pos. 3) is pulled back into the **DISENGAGED** position.
2. Turn the chain tensioning wheel (Fig. 30/pos. 12) in an **ANTI-CLOCKWISE DIRECTION** until the projecting pin is at the end of its sliding path in the direction of the clutch and gear wheel (Fig. 30).
3. Fit the open end of the chain bar over the bar pins (Fig. 29/pos. H).

To install the saw chain

- Spread the chain out in a loop with the cutting edges (Fig. 29) pointing CLOCKWISE around the loop.
- Slip the chain around the sprocket behind the clutch as shown in figure 29. Make sure the links fit between the sprocket teeth.
- Guide the drive links into the groove and around the end of the bar.

NOTICE

The saw chain may droop slightly on the lower part of bar.

This is normal.

- Pull the chain bar forward until the chain is closely seated. Make sure that all the drive links are in the groove of the bar.
- Align the chain bar such that the TANG (projecting pin) fits into the hole in the chain bar (Fig. 29/pos. I).
- Turn the bar fastening wheel (Fig. 2/pos. 14) clockwise to secure it. The chain is not allowed to slip off the guide bar when you do this. Only loosely tighten the bar fastening wheel (Fig. 2/pos. 14) at this stage and then follow the instructions for adjusting the chain tension as described in the section ADJUSTING THE CHAIN TENSION.

Oil passages

Oil passages on the bar should be cleaned to ensure proper lubrication of the bar and chain during operation.

NOTICE

The condition of the oil passages can be easily checked. If the passages are clear, the chain will automatically give off a spray of oil within seconds of starting the saw. Your saw is equipped with an automatic oiler system.

Automatic chain lubrication

The chainsaw is equipped with an automatic oil lubrication system with a toothed wheel drive. It automatically supplies the bar and the chain with the right quantity of oil. The moment the engine is accelerated, the oil also starts to flow through the bar plate more quickly as well.

The chain lubrication system has been set to its perfect adjustment at the factory.

To check the chain lubrication, hold the chainsaw, with the chain, over a piece of paper and run it at full speed for a few seconds. You will be able to judge the set amount of oil from the paper.

If it requires adjusting, take the saw to your nearest authorised after-sales service outlet.

A setting screw for adjusting the chain lubrication (Fig. 31/pos. J) is located on the underside of the chainsaw. Turning the screw with the screwdriver (Fig. 1/pos. 21) anti-clockwise increases the chain lubrication, turning it clockwise decreases the chain lubrication.

Technical data

Engine displacement	53 cm ³
Maximum engine capacity	2 kW (2.7 HP)
Cutting length	36 cm
Cutter rail type	16"
Chain pitch	(3/8"), 9.525 mm
Chain thickness	(0.05"), 1.27 mm
Chain sprocket - Number of teeth and pitch	7 x 9.525 mm
Idling speed	3100 ± 300 min ⁻¹
Maximum cutting speed	21 m/s
Maximum speed with cutting equipment	11000 min ⁻¹
Fuel tank capacity	550 cm ³ / 0.55 L
Oil tank capacity	260 cm ³ / 0.26 L
Anti-vibration function	Yes
Chain brake	Yes
Clutch	Yes
Automatic chain lubrication	Yes
Low-kickback chain	Yes
Net weight without chain and chain bar (dry)	5.3 kg
Net weight (dry)	6.3 kg

Subject to technical changes!

Wear ear-muffs.

The impact of noise can cause damage to hearing.

Keep the noise emissions and vibrations to a minimum.

- Only use appliances which are in perfect working order.
- Service and clean the appliance regularly.
- Adapt your working style to suit the appliance.
- Do not overload the appliance.
- Have the appliance serviced whenever necessary.
- Switch the appliance off when it is not in use.
- Wear protective gloves.

Sound and vibration

Sound pressure level L_{PA}	92.6 dB(A)
Uncertainty K_{PA}	3 dB(A)
Guaranteed sound power level L_{WA}	114 dB(A)
Measured sound power level L_{WA}	108.7 dB(A)
Uncertainty K_{WA}	3 dB(A)
Vibration front handle a_{hv}	max. 9.95 m/s ²
Vibration rear handle a_{hv}	max. 8.80 m/s ²
Uncertainty K_{hv}	1.5 m/s ²

Storage



Never put the equipment into storage for longer than 30 days without carrying out the following steps.

Store the equipment in a secure, dry, frost-free and well-ventilated location that is protected from the effects of weather.

Outside storage is not recommended. Secure it against unauthorised access.

If you intend to store the equipment for longer than 30 days, it must be prepared accordingly. Otherwise the fuel still remaining in the carburettor will evaporate and leave a rubbery sediment. This can cause problems when starting up the equipment and may require expensive repairs.

1. Slowly remove the fuel tank cap to release any pressure that may have formed in the tank. Carefully empty the tank of fuel.
2. To remove the fuel from the carburettor, start the engine and let it run until the equipment stops.
3. Leave the engine to cool (approx. 5 minutes).
4. Remove the spark plug. You will need the supplied combined spark plug spanner/screwdriver.
5. Add one teaspoon of 2-stroke engine oil into the combustion chamber.
6. Slowly pull the starter cord several times to apply a layer of oil to all internal parts. Refit the spark plug.

Putting the equipment back into operation

1. Remove the spark plug.
2. Quickly tug on the starter line to remove excess oil from the combustion chamber.
3. Clean the spark plug and check that the electrode gap is correct, or insert a new spark plug with the correct electrode gap.
4. Prepare the equipment for operation.
5. Fill the fuel tank with the relevant mixture of fuel and oil.
6. Top up the chain oil in the chain oil tank.

Transport

To transport the equipment, empty the petrol tank. Clean coarse dirt off the equipment with a brush or hand brush. Always mount the chain guard (20) to the chain bar (1).

Disposal and recycling

The equipment is supplied in packaging to prevent it from being damaged in transit. The raw materials in this packaging can be reused or recycled. The equipment and its accessories are made of various types of material, such as metal and plastic. Never place defective equipment in your household refuse. The equipment should be taken to a suitable collection center for proper disposal. If you do not know the whereabouts of such a collection point, you should ask in your local council offices.

Troubleshooting

The table below contains a list of fault symptoms and explains what you can do to remedy the problem if your equipment fails to work properly. If the problem still persists after working through the list, please contact your nearest service workshop.

⚠ IMPORTANT!

Hint in case of sending the equipment to a service centre:

Due to safety reasons please see to it that the equipment is sent back free of oil and petrol!

Troubleshooting guide		
Problem	Probable cause	Corrective Action
Unit won't start or starts but will not run.	Incorrect starting procedures.	Follow instructions in the User Manual.
	Incorrect carburettor mixture adjustment setting.	Have carburettor adjusted by an Authorized Service Center.
	Fouled spark plug.	Clean / gap or replace plug.
	Fuel filter plugged.	Replace fuel filter.
Unit starts, but engine has low power.	Dirty air filter.	Remove, clean and reinstall filter.
	Incorrect carburettor mixture adjustment setting.	Have carburettor adjusted by an Authorized Service Center.
Engine hesitates.	Incorrect carburettor mixture adjustment setting.	Have carburettor adjusted by an Authorized Service Center.
No power under load.	Incorrectly gapped spark plug.	Clean / gap or replace plug.
Runs erratically.	Incorrect carburettor mixture adjustment setting.	Have carburettor adjusted by an Authorized Service Center.
Smokes excessively.	Incorrect fuel mixture.	Use properly mixed fuel (40:1 mixture).

Poor performance when operated	Blunt chain. Loose chain.	Sharpen or replace the chain. Tension the chain.
Engine dies	Empty petrol tank. Fuel filter in the wrong position in the tank.	Fill up the petrol tank. Completely fill the petrol tank or re-position the fuel filter in the petrol tank.
Insufficient chain lubrication (the cutter rail and chain get hot)	Empty oil tank for the chain.	Top up the oil tank for the chain.
	Oil lubrication openings moved.	Clean the oil lubrication hole in the cutter bar. Clean the groove in the cutter bar.

Service information

Please note that the following parts of this product are subject to normal or natural wear and that the following parts are therefore also required for use as consumables.

Wear parts*	Saw chain, Chain bar, Saw chain-oil, Motor-oil, Spiked bumper, Chain catcher, Spark plug, Air filter, Fuel filter, Saw chain-oil filter
To order spare parts, use the spare part drawing of this manual.	

* Not necessarily included in the scope of delivery!

Admitted saw chain and chain bar combination

Saw chain	Oregon 91P057X
Guide bar	Oregon 160SDEA041



FERREX®

16" PETROL CHAINSAW

Warranty Details


REGISTER YOUR PURCHASE AT www.aldi.com.au/en/about-aldi/product-registration/
TO KEEP UP-TO-DATE WITH IMPORTANT PRODUCT INFORMATION

The product is guaranteed to be free from defects in workmanship and parts for a period of 36 months from the date of purchase. Defects that occur within this warranty period, under normal use and care, will be repaired, replaced or refunded at our discretion. The benefits conferred by this warranty are in addition to all rights and remedies in respect of the product that the consumer has under the Competition and Consumer Act 2010 and similar state and territory laws.

Our goods come with guarantees that cannot be excluded under the Australian Consumer Law. You are entitled to a replacement or refund for a major failure and for compensation for any other reasonably foreseeable loss or damage. You are also entitled to have the goods repaired or replaced if the goods fail to be of acceptable quality and the failure does not amount to a major failure.

AFTER SALES SUPPORT

 1300 855 831

 support@schepach.com.au

AU Hotline Costs: Local rate for landline calls*

*Charges may vary dependent upon network operator or mobile network provider.





FERREX®

16" PETROL CHAINSAW

Repair and Refurbished Goods or Parts Notice

REGISTER YOUR PURCHASE AT www.aldi.com.au/en/about-aldi/product-registration/
TO KEEP UP-TO-DATE WITH IMPORTANT PRODUCT INFORMATION

Unfortunately, from time to time, faulty products are manufactured which need to be returned to the Supplier for repair.

Please be aware that if your product is capable of retaining user-generated data (such as files stored on a computer hard drive, telephone numbers stored on a mobile telephone, songs stored on a portable media player, games saved on a games console or files stored on a USB memory stick) during the process of repair, some or all of your stored data may be lost.

We recommend you save this data elsewhere prior to sending the product for repair.

You should also be aware that rather than repairing goods, we may replace them with refurbished goods of the same type or use refurbished parts in the repair process.

Please be assured though, refurbished parts or replacements are only used where they meet ALDI's stringent quality specifications.

If at any time you feel your repair is being handled unsatisfactorily, you may escalate your complaint. Please telephone us on "1300 855 831" or write to us at:

RossMac Pty. Ltd.

P.O. Box 261, Essendon North, Victoria, 3041

Telephone: 1300 855 831 (Monday - Friday 8:30am-6:00pm)

Email: support@schepach.com.au

AFTER SALES SUPPORT

 1300 855 831

 support@schepach.com.au

AU Hotline Costs: Local rate for landline calls*

*Charges may vary dependent upon network operator or mobile network provider.

