



User Manual

Contents



PETROL LAWN MOWER MS196-52E

AUS



Original instructions
Vers.No. 180417



Overview	04
Utilisation	05
Contents of box	06
Explanation of symbols	09
Introduction	11
Layout	12
Scope of delivery	13
Intended use	14
Safety information	15
Before starting	22
Preparation for operation	24
Operation	26
Maintenance	28
Technical data.....	31
Storage and transport	32
Disposal and recycling	33
Troubleshooting	34
Warranty Details	37
Repair and Refurbished Goods or Parts Notice	38

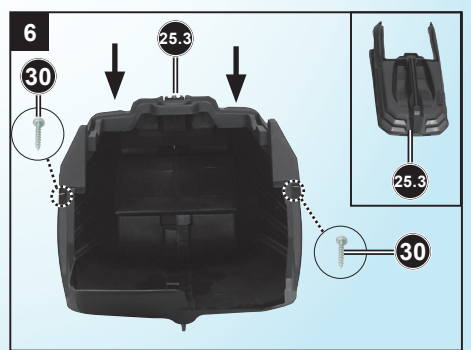
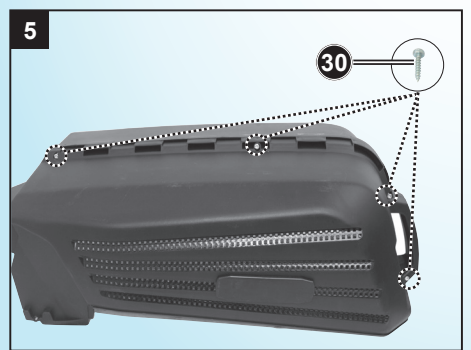
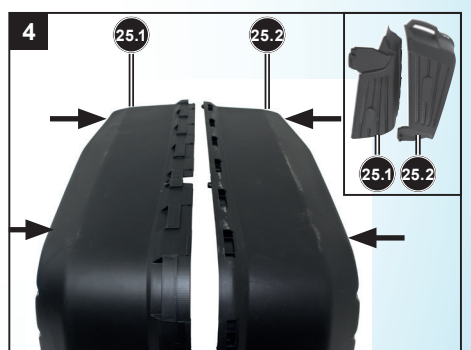
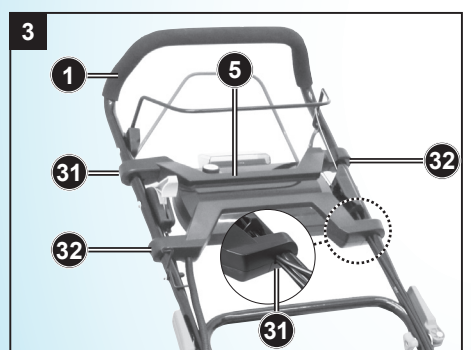
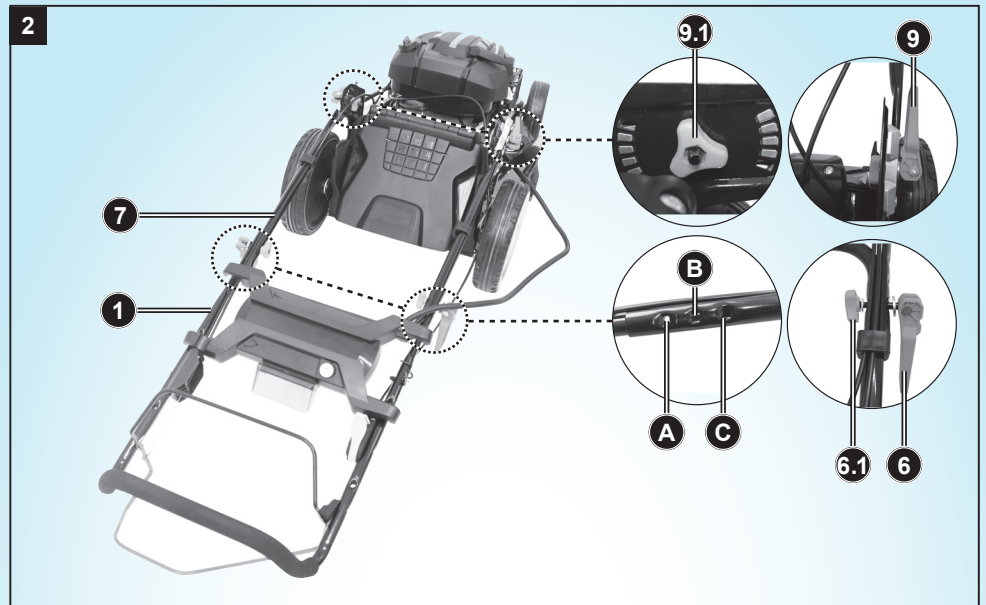
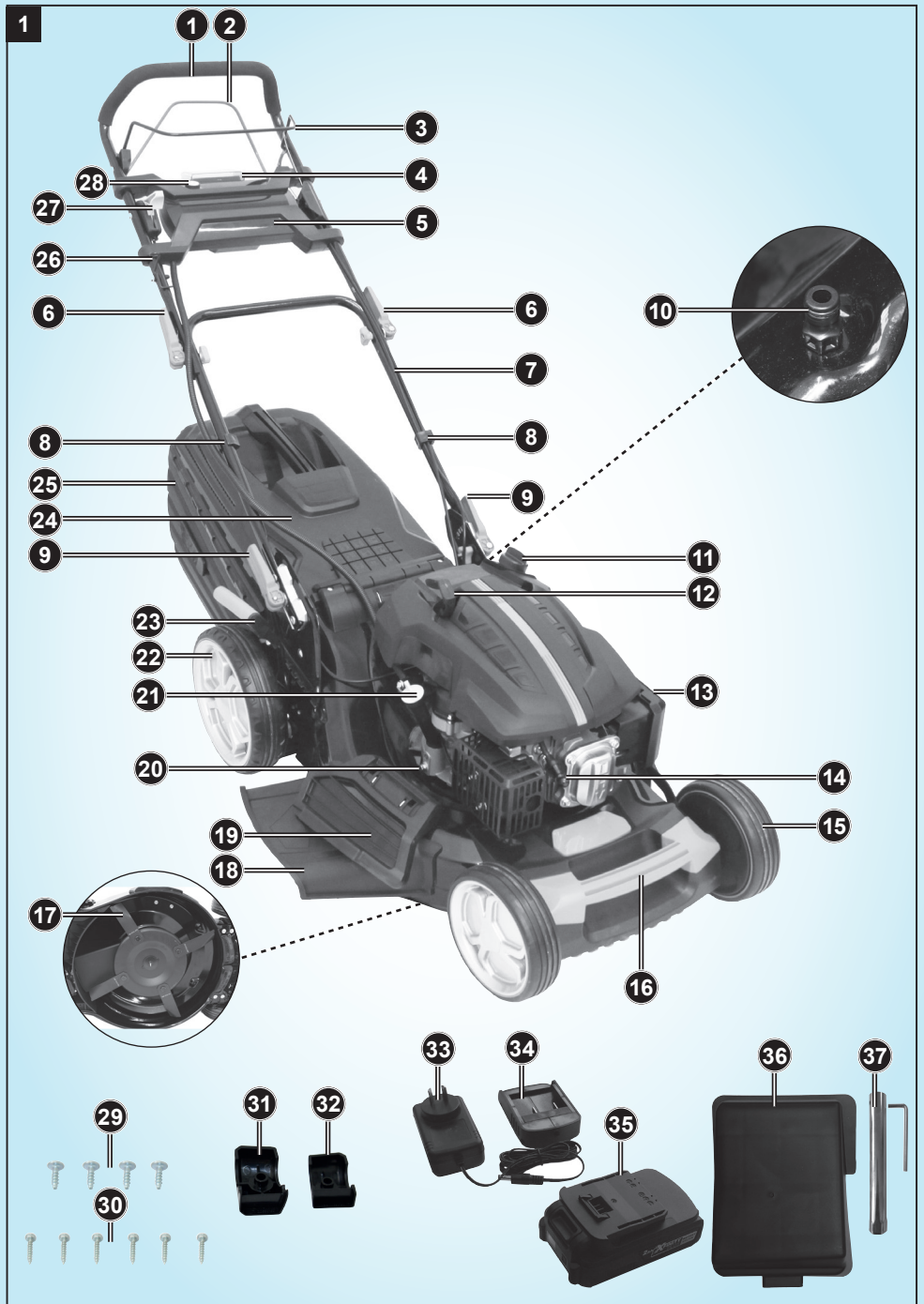
ALDI guarantees that our exclusive brand products are developed to our stringent quality specifications. If you are not entirely satisfied with this product, please return it to your nearest ALDI store within 60 days from the date of purchase for a full refund or replacement, or take advantage of our after sales support by calling the supplier's Customer Service Hotline.

Made in China
GARDENLINE is a registered trademark of ALDI Stores
DISTRIBUTED BY:
ALDI STORES
1 SARGENTS ROAD
MINCHINBURY NSW 2770
www.aldi.com.au

AFTER SALES SUPPORT 
 AUS 1300 855 831  support@scheppach.com.au

MODEL: MS196-52E PRODUCT CODE: 61866 08/2018

5
YEAR WARRANTY



Contents of Box

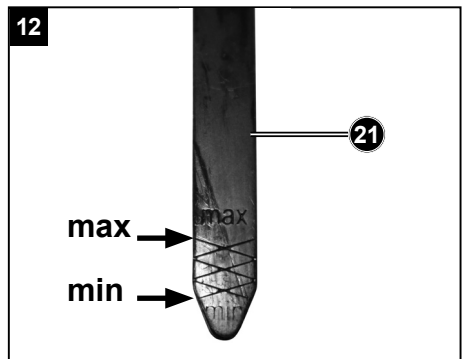
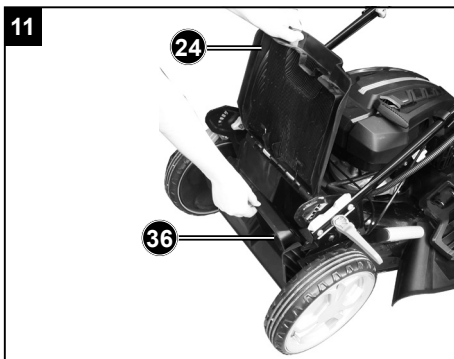
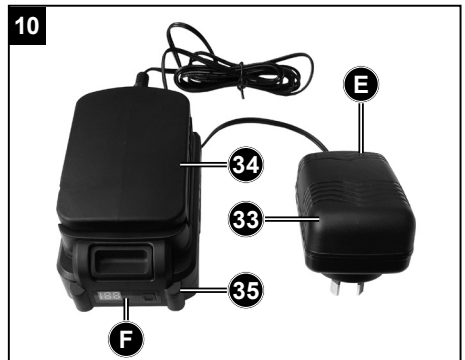
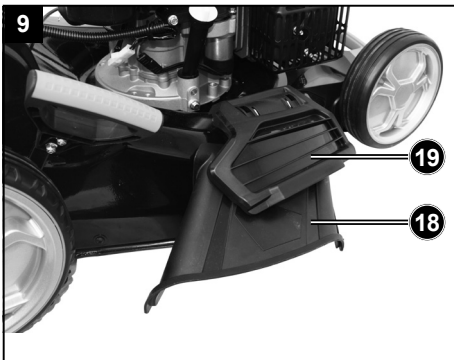
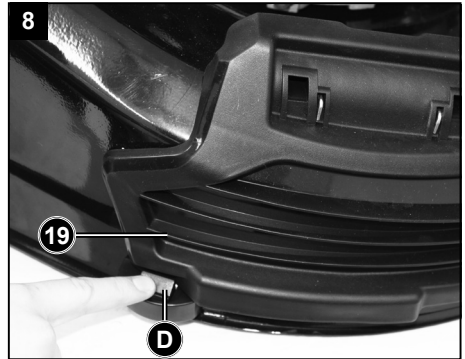
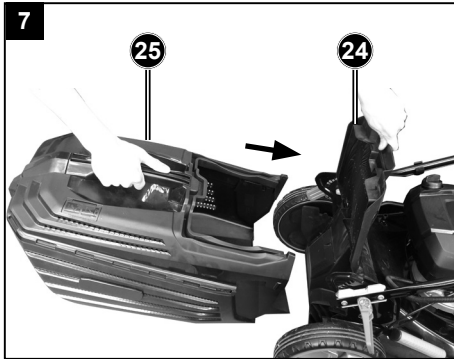
- 1 1 x Lawn mower
- 2 1 x Hard catcher
- 3 1 x Side discharge chute
- 4 4 x Screw big
- 5 6 x Screw small
- 6 2 x Holder A
- 7 2 x Holder B
- 8 1 x Charger adaptor
- 9 1 x Charger
- 10 1 x Battery
- 11 1 x Mulching block
- 12 1 x Spark plug wrench
- 13 1 x Warranty card
- 14 1 x Instruction manual

AFTER SALES SUPPORT

support@scheppach.com.au

AUS 1300 855 831

MODEL: MS196-52E PRODUCT CODE: 61866 08/2018

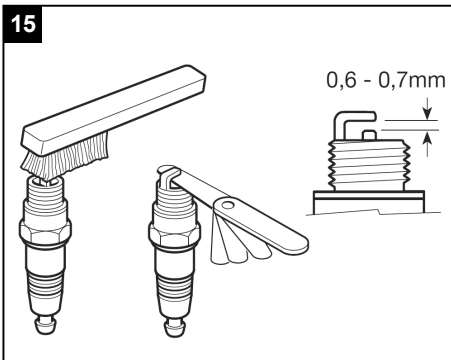
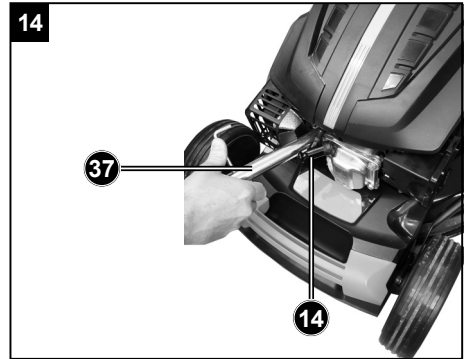
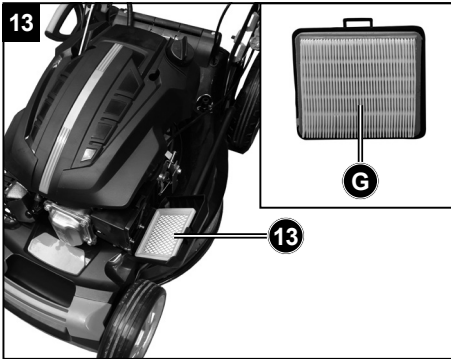


AFTER SALES SUPPORT

 **AUS** 1300 855 831








 support@schepach.com.au

MODEL: MS196-52E PRODUCT CODE: 61866 08/2018



EXPLANATION OF SYMBOLS

	Observe all safety instructions before use.
	Caution - Read the operating instructions to reduce the risk of injury!
	On a slope, do not mow uphill or downhill.
	Before operating the lawn mower, remove lawn debris which may be ejected by the blade.
	There is a risk of debris being ejected when the engine is running. Make sure you keep a safe distance. Caution thrown objects when operating.
	Make sure other people also keep a safe distance. Keep bystanders away.
	Remove the ignition cable before all maintenance work, and read the instructions for use.
	Warning! Risk of injury! Do not let your hands or feet come in contact with the blades when the motor is running.
	Important. Exhaust gas is poisonous, do not operate in an unventilated area.
	Danger - Hot surface!
	Wear ear-muffs and safety goggles!

	Attention! Operating materials are flammable and explosive.
	Ambient temperature 45°C max. (only for battery).
	Do not throw into water.
	Do not incinerate battery pack.
	For use in dry rooms only
	Protection class II
	Output connector of the charging unit (direct current): The outer part of the connector is the negative pole and the inner part is the positive pole.

I. INTRODUCTION

Congratulations on choosing to buy a GARDENLINE® product.

All products brought to you by GARDENLINE® are manufactured to the highest standards of performance and safety, and as part of our philosophy of customer service and satisfaction, are backed by our comprehensive 5 Year Warranty. We hope you will enjoy using your purchase for many years to come.

NOTE:

According to the applicable product liability law the manufacturer of this device is not liable for damages which arise on or in connection with this device in case of:

- improper handling,
- non-compliance with the instructions for use,
- repairs by third party, non-authorised skilled workers,
- installation and replacement of non-original spare parts,
- improper use.

Recommendations:

Read the entire text of the operating instructions prior to the assembly and operation of the device.

These operating instructions are intended to make it easier for you to get familiar with your device and utilise its intended possibilities of use.

The operating instructions contain important notes on how to work safely, properly and economically with your machine and how to avoid dangers, save repair costs, reduce downtime, and increase the reliability and working life of the machine.

In addition to the safety regulations contained herein, you must in any case comply with the applicable regulations of your country with respect to the operation of the machine.

Keep the operating instructions in a clear plastic folder to protect them from dirt and humidity, store them near the machine. The instructions should be read and carefully understood by each operator prior to using the machine. Only persons who have been trained in the use of the machine and are aware of the related dangers and risks should be allowed use the machine. The local required minimum age must be met.

In addition to the safety notes contained in these operating instructions and any specific regulations in your country, the generally recognised technical rules for the operation of identically constructed machines must be observed.

II. LAYOUT (Fig. 1)

- 1 Upper handle
- 2 Self propel engage/disengage bar
- 3 Drive lever
- 4 Battery compartment
- 5 Control panel
- 6 Upper handle locking lever
- 7 Lower handle
- 8 Cable holder clip
- 9 Lower handle locking lever
- 10 Deck wash nozzle
- 11 Fuel tank cap
- 12 Recoil starter
- 13 Air filter cover
- 14 Spark plug cover
- 15 Front wheel
- 16 Carry handle
- 17 Cutting blade
- 18 Side discharge chute
- 19 Side ejector cover
- 20 Oil drain plug
- 21 Oil filler cap/dipstick
- 22 Rear wheel
- 23 Height adjustment lever
- 24 Rear discharge guard
- 25 Hard catcher
- 26 Recoil starter handle holder
- 27 Speed lever
- 28 E-Start button
- 29 Screw big
- 30 Screw small
- 31 Holder A
- 32 Holder B
- 33 Charger adaptor
- 34 Charger
- 35 Battery
- 36 Mulching block
- 37 Spark plug wrench

III. SCOPE OF DELIVERY

Lawn mower	(1x)
Hard catcher	(1x)
Side discharge chute	(1x)
Screws big	(4x)
Screws small	(6x)
Holder A	(2x)
Holder B	(2x)
Charger adaptor	(1x)
Charger	(1x)
Battery	(1x)
Mulching block	(1x)
Spark plug wrench	(1x)
Warranty Card	(1x)
Instruction manual	(1x)

- Open the packaging and take out the machine with care.
- Remove the packaging material.
- Check that all listed contents are present.
- Inspect the equipment and parts for any damage. Please contact the helpline if anything is missing.
- If possible, keep the packaging until the end of the guarantee period.
- Read the operating instructions fully to familiarise yourself with the tool prior to using it.
- Only use original accessories and spare parts. Spare parts are available by contacting the helpline.
- Specify the part numbers when you contact the helpline.

⚠ ATTENTION!

The device and packaging materials are not toys!

Children must not be allowed to play with plastic bags, film and small parts!

There is a risk of swallowing and suffocation!

IV. INTENDED USE

The equipment may only be used for the tasks it is designed to handle. Any other use is deemed to be a case of misuse. The user/operator and not the manufacturer will be liable for any damage or injuries of any kind caused as a result of this.

The petrol lawn mower is intended for private use i.e. for use in home and gardening environments. Public facilities, sporting halls, and agricultural/forestry applications are excluded.

The charger is designed for charging the with the product delivered battery and other identical batteries.

Please note that our equipment has not been designed for use in commercial, trade or industrial applications. Our warranty will be voided if the equipment is used in commercial, trade or industrial businesses or for equivalent purposes.

The operating instructions as supplied by the manufacturer must be kept and referred to in order to ensure that the lawn mower is properly used and maintained. The instructions contain valuable information on operating, maintenance and servicing conditions.

Important: Due to the high risk of bodily injury to the user, the petrol lawn mower must not be used to carry out the following work: Trim bushes, hedges or shrubs, to cut scaling vegetation, planted roofs, or balcony-grown grass, to clean (suck up) dirt and debris off walkways, or to chop up tree or hedge clippings. Moreover, the lawn mower may not be used as a power cultivator to level out high areas.

For safety reasons, the lawn mower may not be used as a drive unit for other work tools or toolkits of any kind.

V. SAFETY INFORMATION

Safety instructions

⚠ WARNING! Read and understand all instructions. Failure to follow all instructions listed below may result in electric shock, fire and/or serious injury. The term “power tool” in all of the warnings below refers to your mains-operated (corded) power tool, garden power tool, battery-operated (cordless) power tool or your petrol operated garden tool.

Save these instructions

Work area

- Ensure the area to be mowed is clear and free of debris, rocks, gravel, garden furniture etc.
- Keep work area clean and well lit. Cluttered and dark areas invite accidents.
- Do not operate power tools in explosive atmospheres, such as in the presence of flammable liquids, gases, or dust. Power tools create sparks which may ignite the dust or fumes.
- Ensure all animals, children and bystanders are at least 15m away while operating this lawn mower. Distractions can cause you to lose control.

Personal safety

- Stay alert, watch what you are doing and use common sense when operating a power tool. Do not use a power tool while you are tired or under the influence of drugs, alcohol, or medication. A moment of inattention while operating power tools may result in serious personal injury.
- Use safety equipment. Always wear eye protection. Safety equipment such as a dust mask, non-skid safety shoes, hard hat, or hearing protection used for appropriate conditions will reduce personal injuries.
- Remove any adjusting key or wrench before turning the tool on. A wrench or a key that is left attached to a rotating part of the power tool may result in personal injury.
- Do not overreach. Keep proper footing and balance at all times. This enables better control of the power tool in unexpected situations.
- Dress properly. Do not wear loose clothing or jewellery. Keep your hair, clothing and gloves away from moving parts. Loose clothes, jewellery or long hair can be caught in moving parts.
- If devices are provided for the connection of dust extraction and collection facilities ensure that these are connected and properly used. Use of these devices can

AFTER SALES SUPPORT

reduce dust-related hazards.

Power tool use and care

- Do not force the power tool. Use the correct power tool for your application. The correct power tool will do the job better and safer at the rate for which it was designed.
- Do not use the power tool if the switch does not turn it on and off. Any power tool that cannot be controlled with the switch is dangerous and must be repaired.
- Turn tool off completely before making any adjustments, changing accessories, or storing power tools. Such preventive safety measures reduce the risk of starting the power tool accidentally.
- When not in use, store power tools out of the reach of children and do not allow persons unfamiliar with the power tool or these instructions to operate the power tool. Power tools are dangerous in the hands of untrained users.
- Maintain power tools. Check for misalignment or binding of moving parts, breakage of parts and any other condition that may affect the power tool's operation. If damaged, have the power tool repaired before use. Many accidents are caused by poorly maintained power tools.
- Keep cutting tools sharp and clean. Properly maintained cutting tools with sharp cutting edges are less likely to bind and are easier to control.
- Use the power tool, accessories and tool bits etc., in accordance with these instructions and in the manner intended for the particular type of power tool, taking into account the working conditions and the work to be performed. Use of the power tool for operations different from intended could result in a hazardous situation.

Service

- Have your power tool serviced by a qualified repair personnel using only identical replacement parts. This will ensure that the safety of the power tool is maintained.

Safety rules for Petrol Lawn Mowers

Training

- Read the instructions carefully. Get familiar with the controls and proper use of the equipment.
- Only use the lawn mower for the purpose for which it was designed, i.e. for cutting and collecting grass. Any other use can be hazardous, causing damage to the machine.
- Never allow children or people unfamiliar with these instructions to use the lawn

mower. Local regulations may restrict the age of the operator.

- Never use the lawn mower:
- When people, especially children, or pets are nearby.
- If the operator has taken medicine or substances that can affect his ability to react and concentrate.
- Remember that the operator or user is responsible for accidents or hazards occurring to other people or their property.

Preparation

- While mowing, always wear sturdy footwear and long trousers. Do not operate the equipment when barefoot or wearing open sandals.
- Thoroughly inspect the area where the equipment is to be used and remove all objects which may be thrown by the machine or damage the cutter assembly and the engine (stones, sticks, metal wire, bones, etc.)

⚠ WARNING! DANGER! Engine fuel is highly flammable.

- Store fuel in containers specifically designed for this purpose.
- Refuel using a funnel and outdoors only.
- Do not smoke while refuelling or whenever handling the fuel.
- Never refuel near an open flame.
- Add fuel before starting the engine. Never remove the cap of the fuel tank or add fuel while the engine is running or when the engine is hot.
- If fuel is spilled, do not attempt to start the engine but move the machine away from the area of spillage and avoid creating any source of ignition until the fuel has evaporated and the vapour dispersed.
- Replace all fuel tanks and containers caps securely.
- Substitute faulty silencers.
- Before use, always inspect the machine, especially the condition of the blades, and check that the screws and cutting assembly are not worn or damaged. Replace worn or damaged blades and screws in sets to preserve balance.
- Discharge openings must be guarded at all times. Do not remove the discharge guard or hold it up while mowing.
- It is advisable to wear suitable eye protection when operating the mower.

Operation

- Do not operate the engine in a confined space where dangerous carbon monoxide fumes can collect.
- Mow only in daylight or good artificial light.
- If possible, avoid operating the equipment in wet grass.

- Always be sure of your footing on slopes.
- Walk, never run and do not allow yourself to be pulled along by the lawn mower.
- Mow across the face of slopes, never up and down.
- Exercise extreme caution when changing direction on slopes.
- Do not mow on slopes of more than 20°.
- Exercise extreme caution when pulling the lawn mower towards you.
- Stop the blade if the lawn mower has to be tilted for transportation when crossing surfaces other than grass, and when transporting the lawn mower to and from the area to be mowed.
- Never operate the lawn mower with defective guards, or without safety devices, such as the stoneguard and/or grass-catcher, in place. Replace if damaged.
- Do not change the engine governor settings or over speed the engine.
- On power-driven models, disengage the drive clutch before starting the engine.
- Start the engine carefully, following the instructions and keeping feet well away from the blade.
- Do not tilt the lawn mower when starting the engine. Start the engine on a flat surface that is free of obstacles and tall grass.
- Do not put hands or feet near or under rotating parts. Keep clear of the discharge opening at all times.
- Never pick up or carry a lawn mower while the engine is running.
- Stop the engine and disconnect the spark plug wire:
 - Before carrying out any work underneath the cutting deck or before unclogging the chute;
 - Before checking, cleaning or working on lawn mower;
 - After striking a foreign object. Inspect the lawn mower for damage and make repairs before restarting and operating the lawn mower;
 - If the lawn mower starts to vibrate abnormally (find and remove the cause of the vibration immediately).
- Stop the engine:
 - Whenever you leave the lawn mower unattended.
 - Before refuelling.
 - Every time you remove or replace the grass-catcher.
- When mowing, always keep to a safe distance from the rotating blade. This distance is the length of the handle.
- Never cut grass while walking backwards.
- Stop the engine before pushing mower across gravel drives, walks or roads.
- This machine is to be used exclusively for cutting natural grass. Never use the mower for other purposes. Any other utilization can involve danger for your safety

and can involve damage to the mower.

- The user is responsible for the safety of other people, animals and objects in the working area. Keep children and domestic animals at a safe distance while the mower is in use.

Maintenance and Storage

- Keep all nuts, bolts and screws tight to be sure the equipment is in safe working condition. Regular maintenance is essential for safety and performance.
- Never store the equipment with fuel in the tank inside a building where vapour may reach a flame or a spark or a source of extreme heat.
- Allow the engine to cool before storing in an enclosed space.
- To reduce the fire hazard, keep the engine, exhaust silencer, battery compartment and fuel storage area free of grass, leaves, or excessive grease. Do not leave containers with grass cuttings in rooms.
- Check the stone-guard and grass-catcher frequently for wear and deterioration and replace if damaged.
- If the fuel tank has to be drained, this should be done outdoors and when the engine is cool.
- Wear strong work gloves when removing and reassembling the blade.
- Check the blade's balance after sharpening.
- For reasons of safety, do not use the equipment with worn or damaged parts. Parts are to be replaced and not repaired. Parts that are not of the same quality can damage the equipment and be dangerous for your safety.
- Whenever the machine is to be handled, transported or tilted you must:
 - Wear strong working gloves;
 - Grasp the machine at the points that offer a safe grip, taking account of the weight and its distribution.
- Damaged blades and worn bolts are major hazards.
- Fuel goes off in about 3 - 4 months. If you find your mower does not start, try changing the fuel in the tank with newly purchased fresh unleaded fuel. **Do not use ethanol based fuels.**

Operation Safety Instructions

⚠ WARNING! Stop the engine and unplug the spark plug before any repairs or maintenance operations.

- Check that all nuts, bolts and screws are well tightened before every use.
- Before mowing ensure that the blade and the blade fixing screw are securely fastened. When the blade edges require re-sharpening, this must be done evenly

AFTER SALES SUPPORT

19

on both sides to prevent any imbalance. If the blades are damaged, it must be replaced.

- When mowing always wear long trousers and strong, covered footwear.
- Do not run the engine in an enclosed and/or poorly ventilated area. The gas of the engine contains carbon monoxide, which is dangerous to your health.
- Work only when there is sufficient light.
- Do not use the lawn mower when it is raining or when the grass is wet.
- Caution must be taken while mowing on slopes. Mow across the face of slopes, never down or up.
- Turn off the engine if you must leave the lawn mower unattended.
- Never lift the rear of the mower while starting the engine and never place your hands and feet underneath the deck while the engine is running.
- If working on high grass, adjust the mowing height to reduce the friction and prevent over loading. The optimal mowing height should be 1/3 the height of the grass. It would affect the work efficiency of lawn mower if too much higher or lower.
- Never change the rated speed of the engine in any way .
- Never lift or carry the mower while the engine is running.
- Stop the engine and remove the spark plug cover in these cases:
 - Before any operation under the deck.
 - Before any maintenance, repairing or checking operations.
 - Before carrying, lifting or removing the mower.
 - If you leave the mower unattended or change the cutting height.
 - After hitting a foreign object, stop the engine and check thoroughly the mower in order to see if it is damaged. Take the mower to an authorised service centre to carry out any repairs if necessary.
 - If the mower vibrates in an abnormal way, take the mower to an authorised service centre.
 - Check the bolts and nuts regularly. Bolts and nuts may vibrate loose over time.

⚠ WARNING! Fuel is highly flammable.

- Keep fuel in a jerry can specially made for this purpose.
- Fill the fuel tank with a funnel and outside. Do not smoke or use a mobile phone during this process.
- Fill with fuel and oil before starting the engine. Never open the cap of the fuel tank to add petrol while the engine is running or still hot.
- Do not start the engine if there is spilt fuel on the mower or in the area surrounding. Take the mower away from the zone where fuel has been split and avoid any contact from a hot source as long as the split petrol is completely evaporated.

- Tighten the fuel tank cap and jerry can cap tightly.

Safety Rules for Charger & Batteries

- Use only the charger and batteries supplied in this pack.
- Protect the charger and battery pack against moisture including rain and high humidity.
- Always check that the power cord is correctly connected before using the charger.
- When you are not using the charger, remove the plug from the mains socket. Do not pull the plug out by the power cord.
- Handle the battery pack carefully. Do not let it fall or be subject to impact.
- Always remove the plug from the power socket before you clean or maintain the charger or battery pack.
- Do not charge the battery pack if the ambient temperature is less than 0°C or greater than 45°C.
- Do not short circuit the battery pack. A short circuit gives rise to a heavy current causing overheating and the possibility of fire or explosion.
- Do not connect a cable to the battery pack terminals.
- Make sure that no metal objects such as a nail, paper clip or coin finds its way into the charging socket.
- A damaged battery pack or one which no longer holds its charge must be disposed of in a special way and not placed for normal household rubbish collection.
- Never throw a battery pack into a fire or into water.
- Keep handles dry, clean and free from oil and grease. Slippery handles do not allow for safe handling and control of the tool in unexpected situations.
- This product should only be started by using Aldi Xfinity batteries only. Other Battery models will be available from time to time but use only models marked as Xfinity 20V.

NOTE: This unit may not be used by people (including children) with reduced physical, sensory or mental capacities, with a lack of experience and without the appropriate knowledge, unless they are supervised by someone who is responsible for their safety or have been instructed by such a person with regard to how the unit is to be operated. Children should be supervised to ensure that they do not play with the device.

VI. BEFORE STARTING

⚠ **WARNING!** DO NOT attempt to start this mower without first adding 0.6L of SAE 10W/30 engine oil to the engine.

Mounting of the handles (Fig. 2)

Make sure that the cables will be not crushed during the assembly.

1. Unfold the upper handle (1) and the lower handle (7).
2. Insert the upper handle locking levers (6) in one of the three holes (A, B, C) of the upper handle (1) and the lower handle (7). Choose a comfortable position
3. Push the upper handle locking lever (6) inside to clamp it. **NOTE:** Tension on the upper handle locking lever (6) can be adjusted by rotating the lever knob (6.1).
4. Clamp the lower handle (7) in one of the two given positions, by pushing the lower handle locking lever (9) inside. **NOTE:** Tension on the lower handle locking lever (9) can be adjusted by rotating the lever knob (9.1).

Mounting of the cable holder clips (Fig. 1)

Apply the cable holder clips (8) on both sides of the lower handle (7) to ensure that the cables are secure in position and not tangled.

Mounting of the control panel (Fig. 1 / 3)

1. Place the control panel (5) at the upper handle (1).
2. Fix the control panel (5) at the upper handle (1) by using the holder A (31), holder B (32) and the big screws (29). **NOTE:** The position of the holder A (31) and holder B (32) is crosswise as shown in Fig. 3.

Assembly of the hard catcher (Fig. 4 / 5 / 6)

1. Push the two half parts (25.1 / 25.2) together.
2. Fix the two half parts (25.1 / 25.2) with four of the small screws (30).
3. Set the upper part (25.3) to the mounted half parts (25.1 / 25.2) and fix it with the two remaining small screws (30).

Attaching the hard catcher (Fig. 7)

1. Lift the rear discharge guard (24) in order to position the assembled hard catcher (25). **NOTE:** Do NOT ever start the lawn mower if the rear discharge guard does not fully return to the close position if the catcher is not fitted.
2. Plug in the hard catcher (25) until it locks in space.
3. Release the rear discharge guard (24) to secure the hard catcher (25) into place.
NOTE: Always empty the hard catcher (25) before it has reached maximum

capacity, otherwise it will decrease the performance of the lawn mower.

TIP: Do not leave grass clippings in the hard catcher (25) for extended periods of time.

Assembly of the side discharge chute (Fig. 8 / 9)

⚠ WARNING! Ensure the engine is NOT operating when fitting the side discharge chute (18).

Do not operate or have the engine running when the side ejector cover (19) is opened and the side discharge chute (18) is not fitted.

NOTE: The side discharge chute (18) is used to distribute grass clippings from the side of the mower while the mower is in use. To use this function, the hard catcher (25) is NOT required to be assembled on the lawn mower.

1. Raise the side ejector cover (19) to be able to position the side discharge chute (18) onto the side of the deck of the lawn mower by pressing the button (D).
2. Place the side discharge chute (18) into position on the side of the deck, by aligning the 2 top tabs on the side discharge chute (18) with the bars on each side at the top of the side ejector cover (19), and then place the 2 top tabs underneath the bars to secure. Release the side ejector cover (19).
3. To remove the side discharge chute (18), raise the side ejector cover (19), and remove the side discharge chute (18). Lower / release the side ejector cover (19).

Recoil starter handle holder (Fig. 1)

When not using the recoil starter (12), it can be pulled up to the recoil starter handle holder (26). By looping the pull cord through the holder, the recoil handle can sit securely in the recoil starter handle holder (26) for when not in use.

Battery charging (Fig. 10)

NOTE: The battery (35) needs to be removed from the lawn mower for charging. The battery (35) may require charging at first use.

The working temperature of the charging operation is 0°C to 45°C.

1. Connect the charger adaptor (33) into the charger (34).
2. Connect the charger adaptor (33) in to the 240V mains power outlet. A “green” light (E) indicates power.
3. Slide the charger (34) onto the battery (35) by aligning the guiding rails. A click indicates the battery (35) is fitted.
4. The light (E) of the charger adaptor (33) will change to “red”. The battery is now in the charging process.
5. When the light (E) returns to “green”, the battery (35) is fully charged.

6. The charging status of the battery (35) can be indicated by pressing the button (F) and the charging status will be indicated in percent.

NOTE: The power to the charger should be turned off when unattended, with or without a battery inserted.

VII. PREPARING FOR OPERATION

Mulch and mowing (Fig. 1 / 11)

Using the mower without the hard catcher (25) attached: the lawn mower will mulch as it cuts and the fine grass clippings are distributed back onto the grass surface without leaving piles of grass clippings.

⚠ WARNING! Ensure the engine is NOT operating when undertaking this task.

1. Remove the hard catcher (25) by lifting the rear discharge guard (24) and releasing the hard catcher (25).
2. Lift the rear discharge guard (24), insert the mulching block (36) into position, then release and close the rear discharge guard (24).
3. Ensure the side ejector cover (19) is in the closed position. Do NOT use the side discharge chute (19) when mulch and mowing.

Adding and Checking the oil (Fig. 1 / 12)

IMPORTANT: The engine of this lawn mower is packed with NO OIL in the engine.

Prior to starting the engine, Oil MUST be added to the sump of the engine.

Failure to add sufficient oil will result in damage to the engine which is NOT covered under the warranty of the lawn mower.

On a new lawn mower, the engine needs to be filled with 600 ml of SAE 10W/30 engine oil.

Each time the lawn mower is used, the oil level should be checked and if low, add sufficient oil to ensure the oil level is to the full mark on the dipstick (21).

1. Position the lawn mower on a flat and level surface. Clean the area directly around the oil filler cap (21).
2. Remove the oil filler cap / dipstick (21) by turning turn in an anti clockwise direction and lift the oil filler cap / dipstick (21) outwards. Clean the dipstick (21) with a clean cloth, cleaning away any visual oil.
3. FOR A NEW LAWN MOWER, add 600ml of 4 stroke SAE 10W/30 engine oil.

4. Insert the oil filler cap / dipstick (21) back and secure it by turning in a clockwise direction.
5. Again remove the oil filler cap / dipstick (21) and check the oil level. It should be at the top of the full (max) indicator on the dipstick.
6. If low, add oil slowly into the engine. Do not overfill. After adding oil, wait one minute and then recheck the oil level.
7. Replace and tighten the oil filler cap / dipstick (21). Always ensure the oil filler cap is firmly locked in place before the engine is started.

NOTE: Do not allow engine to run low on oil as it will reduce the life of the engine.

NOTE: Do not over fill with oil above the full indicator mark.

Fuelling (Fig. 1)

⚠ **WARNING!** Do not refill fuel tank while engine is running or is hot.

⚠ **WARNING!** Do not smoke when refueling.

DO NOT use Ethanol based fuels. Do NOT mix oil with fuel.

- Be careful not to admit dust, dirt, water or other foreign objects into the fuel.
- Wipe off spilt fuel thoroughly before starting engine.
- Ensure you DO NOT fuel the lawn mower in close proximity to any open flames, lit cigarettes, or hot objects.

1. Unscrew the fuel tank cap (11) and pour fresh unleaded fuel into the tank with the aid of a funnel.
2. Fill the tank to approximately 2.5 cm below the lowest portion of the neck to allow for fuel expansion. Be careful not to over fill or spill any fuel. If this happens, wipe the spill with a clean rag.
3. Start the engine at least 3 metres away from the area where the fuel tank has been filled in order to avoid the risk of fire.

Adjusting the cutting height (Fig. 1)

The mower has one lever to easily adjust the cutting height. There are 7 height settings.

NOTE: Always try to adjust the cutting height of the lawn mower while positioned on the area of grass you plan to mow.

It is recommended to start on a higher setting and mow a trial area of lawn before deciding on the final cutting height position. Then readjust if necessary.

1. To increase the cutting height pull the height adjustment lever (23) outward towards the wheel, and move it up a notch, towards the rear of the lawn mower.

2. To decrease the cutting height pull the height adjustment lever (23) outward towards the wheel, and move it down a notch, towards the engine.
3. After adjustment, ensure the lever is fully located in the selected notch.

VIII. OPERATION

Starting the engine (Electric start) (Fig. 1)

NOTE: Before starting the mower check the oil and fuel levels. The engine MUST be filled with 600 ml of SAE 10W/30 engine oil BEFORE starting. Fresh unleaded fuel must be used in this unit.

DO NOT use Ethanol based fuels. Do NOT mix oil with fuel.

Warranty will be void if the engine becomes faulty due to insufficient oil and fuel levels.

For starting, ensure the mower is set to the highest height setting so the blades are not resting deep into the grass.

NOTE: The engine of this lawn mower does has an automatic choke start and operation feature, and no priming bulb, hence no priming or choke adjustment is required before starting the engine.

1. Ensure the battery (35) is charged. If not, refer to the “Battery charging” section of the manual.
2. Insert the battery (35) into the battery compartment (4) at the rear of the control panel (5). The battery (35) must be fully engaged in the battery compartment (4).
3. The speed lever (27) must be in the upper position.
4. Pull the drive lever (3) completely toward to the upper handle (1) and keep it in position during working with the lawn mower.
5. Push the E-Start button for approx. 2 seconds, to start the engine.
6. To increase the engine speed push the speed lever (27) into the lower direction.

Starting the engine (Manual start) (Fig. 1)

1. The speed lever (27) must be in the upper position.
2. Pull the drive lever (3) completely toward to the upper handle (1) and keep it in position during working with the lawn mower.
3. Firmly hold the recoil starter (12) & pull slowly until resistance is felt, then pull rapidly.

4. To increase the engine speed push the speed lever (27) into the lower direction.

Stopping the engine (Fig. 1)

1. Pull the speed lever (27) into the upper position.
2. Release the drive lever (3) to stop the engine and wait, until the engine is fully switched off.

NOTE: In case of an emergency, release the drive lever (3) immediately to switch off the engine.

Mowing advice (Fig. 1)

1. Before mowing always check and clear the grassed area for all foreign objects, especially solid ones semi concealed in the ground such as rocks, stumps and garden stakes.
2. Sharp blades cut cleanly and efficiently, if the blades are dull it will tear the grass. This will result in the ends turning brown. When the blades no longer cut cleanly either sharpen them or replace them.
3. To safely operate the mower ensure all four wheels are on the ground and be careful not to lose your footing or control of the mower. Be very careful when mowing uneven or rough ground. Keep a firm grip on the handle bar at all times, always walk, never run with the lawn mower.
4. For healthy growth, grass should not be cut too short. The grass will remain healthier, greener and require less watering.
5. Vary your cutting pattern from week to week, this will help to prevent matting and graining of the grass.
6. If using the mulching function, and grass is piling up behind the lawn mower during the cutting action, lift the lawn mower to the next cutting height using the height adjustment lever (23).

Operating functions of the lawn mower

Self propelled or manual operation of the lawn mower:

This lawn mower has the option to be manually pushed or engine driven self propelled when the engine is operating.

1. Manual Operation (Fig. 1):

The lawn mower is manually maneuvered under the user's own power when the mower is operating. ie the user is pushing the lawn mower to power its movement forwards or backwards. To operate this way manually, simply leave the self propel engage/disengage bar (2) in its standard position. i.e DO NOT LIFT the self propel engage/disengage bar (2) towards the upper handle (1).

2. Self propelled operation (Fig. 1):

The self propelled operation will only operate when the engine of the lawn mower is operating, and the self propel engage / disengagement bar (2) has been activated by lifting it up to the upper handle (1) and holding in position, hence the mower will move forward itself with the operator steering and directing from the handlebars.

The self propelled operation is ONLY in the forward direction.

The driving speed of the lawn mower can be adjusted with the speed lever (27).

IX. MAINTENANCE

IMPORTANT: Never work on or touch any current-conducting parts of the ignition system while the engine is running. Pull the spark plug cover (14) from the spark boot before doing any maintenance or assembly work. Never carry out any work on the equipment while the engine is running. Work that is not described in these operating instructions, should only be carried out by authorized workshops.

Cleaning

The lawn mower should be cleaned thoroughly every time after it has been used. This applies in particular to its underside and the blade mount. Tilt the lawn mower to the rear by pressing down the push bar.

NOTE: Do not tilt the lawn mower by more than 90 degrees. It is easiest to remove dirt and grass immediately after mowing. Dried grass remnants and dirt may impair the mowing operation. Check if the grass ejector chute is free of grass remnants and remove any if necessary. Never clean the mower using a water jet or a high-pressure cleaner. Ensure that no water can get into the interior of the equipment. Do not use aggressive cleaning agents such as cold cleaners or petroleum ether.

Deck wash (Fig. 1)

The deck wash feature allows you to wash/clean the underside of the lawn mower deck using a standard garden hose fitting.

⚠ WARNING! It is recommended to wear gloves during this process so as to not risk any personal injury from the blades when cleaning the underside of the deck.

1. Position mower on a flat and level section of grass, which will not cause problems if the grass and surrounding area will get wet.

NOTE: It is NOT recommended to perform this operation on a concrete surface as the concrete may be stained.

2. Remove the hard catcher (25) and ensure the rear discharge guard (24) is closed.
3. Attach a standard quick connect garden hose fitting (not supplied) to the deck wash nozzle (10).
4. Raise the deck height to approximately mid height using the height adjustment lever (23).
5. Start the lawn mower and run at a low speed.
6. Turn on the water at the tap, then increase the speed of the lawn mower so as to distribute the water under the entire deck.
7. Run the process with the water running for approx 5 min or shorter if no more grass is washing out from under the deck and then turn off the water. Continue to run the lawn mower at medium speed for a few minutes to assist in drying out the under deck.
8. Turn off the lawn mower and remove the standard hose fitting from the deck wash nozzle (10).

Cutting blades (Fig. 1)

For safety reasons, have all cutting blade (17) sharpening, balancing and mounting work carried out by an authorized service center. To achieve optimal results, we recommend to have the blades checked once a year.

Damaged cutting blades (Fig. 1)

If, in spite of all caution, the cutting blades (17) come into contact with an obstacle, switch off the engine immediately and pull the spark plug cover (14).

Tilt the mower to the side and check the cutting blades (17) for damage. Damaged or bent cutting blades (17) must be replaced. Never straighten a bent cutting blade (17). Never work with bent or heavily worn cutting blades (17) as this will result in vibrations, causing further damage to the mower.

⚠ WARNING! Risk of injury when working with a damaged cutting blade (17).

Resharpener the cutting blade

The blade edges can be resharpened with a metal file. To avoid imbalance, the cutting blade resharpening work should only be carried out by an authorized service center.

Removing oil (Fig. 1)

IMPORTANT: Drain the oil while the engine is still warm to ensure rapid and complete draining.

1. With the engine off but still warm, disconnect the spark plug cover (14) and make sure it is kept away from the spark plug.
2. Remove the oil drain plug (20), using a 10mm spanner (not supplied) in an anti-clockwise direction to loosen.
⚠ WARNING! Oil may be hot.
3. Drain the oil into a suitable / approved container for the disposal of oils and the like.
4. After the oil has drained, install and tighten the oil drain plug (20).
5. Wipe up any spilt oil.
6. Refill the oil tank.

NOTE: Please dispose of used engine oil in a manner that is compatible with the environment. We suggest you take it in a sealed container to your local service station for reclamation. Do not throw it in the trash or pour it into the earth.

Air filter maintenance (Fig.13)

NOTE: A dirty air filter (G) will restrict air flow to the carburettor.

To prevent carburettor malfunction, service the air filter (G) regularly.

Check that the air filter (G) is clean and dry of dirt.

Filters thick with debris will not allow the engine to breathe and result in difficult starting and poor engine performance.

The air filter (G) should be checked after approximately 25 hours of use, or annually.

1. Open the air filter cover (13) and remove the air filter (G).
2. To loosen debris, gently tap the air filter (G) on a hard surface or use compressed air. If the filter is excessively dirty, replace with a new filter.
NOTE: Never clean the air filter with petrol or inflammable solvents. Clean the air filter only with compressed air or by tapping it.

Checking / replacing the spark plug (Fig. 14 / 15)

Do not touch the spark plug or the spark plug cover (14) when the engine runs. High voltage!

Risk of burning on the hot engine. Wear protective gloves.

Check the spark plug and the spark gap on a regular basis:

1. Pull the spark plug cover (14) from the spark plug.

2. Remove the spark plug using the supplied spark plug wrench (37).
The spark gap must be 0.6 to 0.7 mm.

Clean the spark plug when it is contaminated.

Replace the spark plug:

- once a month if the device is often used,
- when the insulating body is damaged,
- when the electrodes show excessive erosion,
- when the electrodes show excessive dirt or oil.

X. TECHNICAL DATA

Lawn mower:

Engine	4 - Stroke
Engine capacity	196 cc
Engine power	4.4 kW
Speed n_0	2800 /min
Fuel type	Unleaded petrol
Oil type	4-Stroke engine oil SAE 10W/30
Fuel tank capacity	1 L
Oil tank capacity	0.6 L
Width of cut	520 mm
Blades	4 x swing blades
Height adjustment	7 levels
Catcher Capacity	60 L

Battery & charger:

Battery	20 V --- 2.0 Ah/Li-Ion
Charger	100-240 V~ 50/60 Hz
Output	22 V 1500 mA

Subject to technical changes!

Wear ear-muffs.

The impact of noise can cause damage to hearing.

Keep the noise emissions and vibrations to a minimum.

- Only use appliances which are in perfect working order.
- Service and clean the appliance regularly.
- Adapt your working style to suit the appliance.
- Do not overload the appliance.
- Have the appliance serviced whenever necessary.
- Switch the appliance off when it is not in use.
- Wear protective gloves.

Sound and vibration

Sound pressure level L_{pA}	81.5 dB(A)
Uncertainty K_{pA}	2.5 dB(A)
Sound power level L_{wA}	97.04 dB(A)
Uncertainty K_{wA}	0.64 dB(A)
Vibration a_{hv}	4.8 m/s ²
Uncertainty K_{hv}	1.5 m/s ²

XI. STORAGE AND TRANSPORT

Transporting

⚠ WARNING! Ensure the engine is not running and has cooled before transporting.

⚠ WARNING! If the engine must be tipped to transport equipment or to inspect or remove grass, keep the spark plug upwards.

Transporting or tipping the engine spark plug down may cause:

- Smoking
- Difficulty starting
- Spark plug fouling
- Oil saturation of the air filter

Ensure the storage area is free from excessive humidity and dust.

Drain the fuel tank and carburettor.

⚠ WARNING! Fuel is extremely flammable and explosive under certain conditions. Do not smoke or allow flames or sparks in the area.

NOTE: Be aware to not hit or cut the fuel tank while you are transporting.

Storage

- When you finish working, clean the engine completely, making sure there is no grass or dirt on the engine.
- Store the engine away from direct sunlight.
- At the end of the season, give the engine an overall cleaning and a thorough check.
- Whenever the machine is not used for a long period of time, proceed as follows:
- Empty the fuel tank completely.
- Empty the Carburettor bowl of all fuel by starting the lawn mower and letting it stop when the fuel is all used in the bowl.
- Protect all metal engine parts from corrosion by coating them with oil.
- Completely change the engine oil.
- Coat areas that may rust with a light film of oil. Cover the engine and store it on a level surface in a dry, dust free area.

XII. DISPOSAL AND RECYCLING

The machine is supplied in packaging to prevent it from being damaged in transit. The raw materials in this packaging can be reused or recycled. The machine and its accessories are made of various types of material, such as metal and plastic. Never place defective equipment in your household refuse. The machine should be taken to a suitable collection center for proper disposal. If you do not know the whereabouts of such a collection point, you should ask in your local council offices.

XIII. TROUBLESHOOTING

The table below contains a list of fault symptoms and explains what you can do to remedy the problem if your equipment fails to work properly. If the problem still persists after working through the list, please contact your nearest service workshop.

⚠ IMPORTANT!

Hint in case of sending the equipment to a service centre:

Due to safety reasons please see to it that the equipment is sent back free of oil and petrol!

Fault	Possible cause	Remedy
Engine does not start	<ul style="list-style-type: none"> • Fuel tank is empty • Spark plug not connected with the spark plug cover (14). • Blades hitting the grass to be cut • Battery (35) is empty. 	<ul style="list-style-type: none"> • Check the fuel tank, and refuel if required. • Connect the spark plug with the spark plug cover (14). • Increase the cutting height of the mower so the blades do not make contact with the grass on start up • Charge the battery (35).
Cutting / Engine performance decreases	<ul style="list-style-type: none"> • Cutting height. • Cutting blades are dull or blunt. • When using side discharge chute (18). • Hard catcher (25) is full. 	<ul style="list-style-type: none"> • Increase the cutting height using the height adjustment lever (23). • Replace the blades with new / sharp blades. • Clean around the side discharge chute (18). NOTE: Always ensure the engine is turned off before undertaking this task. • Empty hard catcher (25).

<p>Hard catcher (25) is not filling up to optimum level</p>	<ul style="list-style-type: none"> • Cutting height too low. • When Mulching, piles of grass are left behind the mower. • Grass is wet • Cutting blades are dull or blunt. • Rear discharge chute is blocked. 	<ul style="list-style-type: none"> • Increase the cutting height using the height adjustment lever (23). • Lift the height of the cutting depth by one notch using the height adjustment lever (23). • Allow the grass to dry before mowing. • Replace the blades with new / sharp blades. • Stop mower and clear the rear discharge chute.
<p>Mower cannot be pulled backward.</p>	<ul style="list-style-type: none"> • Gearbox is engaged. 	<ul style="list-style-type: none"> • Release the self propelled engage/disengage bar (2).
<p>Self propel does not operate</p>	<ul style="list-style-type: none"> • Gear box not engaged. 	<ul style="list-style-type: none"> • Fully lift self propelled engage/disengage bar (2) against the upper handle (1).





PETROL LAWN MOWER 196CC



Warranty Details

REGISTER YOUR PURCHASE AT www.aldi.com.au/en/about-aldi/product-registration/ TO KEEP UP-TO-DATE WITH IMPORTANT PRODUCT INFORMATION

The product is guaranteed to be free from defects in workmanship and parts for a period of 60 months from the date of purchase. Defects that occur within this warranty period, under normal use and care, will be repaired, replaced or refunded at our discretion. The benefits conferred by this warranty are in addition to all rights and remedies in respect of the product that the consumer has under the Competition and Consumer Act 2010 and similar state and territory laws.

Our goods come with guarantees that cannot be excluded under the Australian Consumer Law. You are entitled to a replacement or refund for a major failure and for compensation for any other reasonably foreseeable loss or damage. You are also entitled to have the goods repaired or replaced if the goods fail to be of acceptable quality and the failure does not amount to a major failure.

AFTER SALES SUPPORT

  1300 855 831

 support@scheppach.com.au

MODEL:MS196-52E PRODUCT CODE: 61866 08/2018





PETROL LAWN MOWER 196CC

Repair and Refurbished Goods or Parts Notice

Unfortunately, from time to time, faulty products are manufactured which need to be returned to the Supplier for repair.

Please be aware that if your product is capable of retaining user-generated data (such as files stored on a computer hard drive, telephone numbers stored on a mobile telephone, songs stored on a portable media player, games saved on a games console or files stored on a USB memory stick) during the process of repair, some or all of your stored data may be lost.

We recommend you save this data elsewhere prior to sending the product for repair.



You should also be aware that rather than repairing goods, we may replace them with refurbished goods of the same type or use refurbished parts in the repair process.

Please be assured though, refurbished parts or replacements are only used where they meet ALDI's stringent quality specifications.

If at any time you feel your repair is being handled unsatisfactorily, you may escalate your complaint. Please telephone us on 1300 855 831 or write to us at:

RossMac Pty. Ltd.
P.O. Box 261, Essendon North, Victoria, 3041
1300 855 831
support@schepach.com.au

AFTER SALES SUPPORT

  1300 855 831

 support@schepach.com.au
MODEL:MS196-52E PRODUCT CODE: 61866 08/2018

5
YEAR WARRANTY