



# User Manual

## Contents

ALDI guarantees that our exclusive brand products are developed to our stringent quality specifications. If you are not entirely satisfied with this product, please return it to the nearest ALDI store within 60 days from the date of purchase, for a full refund or replacement, or take advantage of our after sales support by calling the supplier's Customer Service Hotline.

## **FERREX®** BRUSH CUTTER 31CC BCH3200PB4



Vers.No. 200227

Original instructions

- Overview .....04
- Utilisation .....05
- Pack contents/Parts ..... 06
- Handling pictures ..... 07
- Explanation of symbols ..... 11
- Introduction .....13
- Layout .....14
- Scope of delivery ..... 15
- Intended use .....15
- General safety instructions for power tools ..... 16
- Before starting the equipment .....21
- Attachment and operation .....21
- Working instructions for Brush Cutting and Line Trimming.....25
- Maintenance and Cleaning.....27
- Storage .....30
- Technical data .....31
- Disposal and recycling ..... 33
- Troubleshooting ..... 34
- Warranty Details .....36
- Repair and Refurbished Goods or Parts Notice..... 38

AUS

### Made in China

FERREX® is a registered trademark of ALDI Stores

DISTRIBUTED BY:

ALDI STORES

1 SARGENTS ROAD

MINCHINBURY NSW 2770

www.aldi.com.au

### AFTER SALES SUPPORT

10584



AUS 1300 855 831

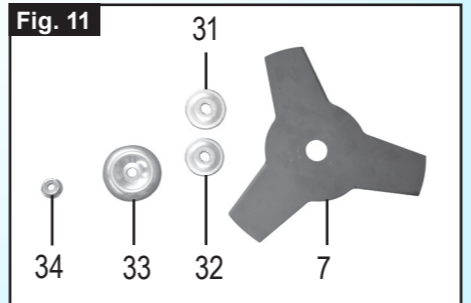
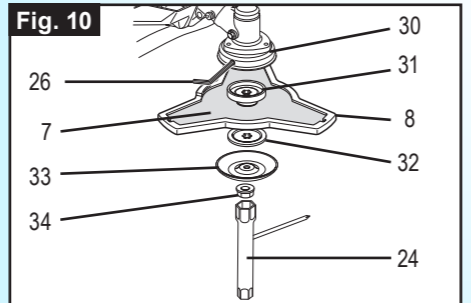
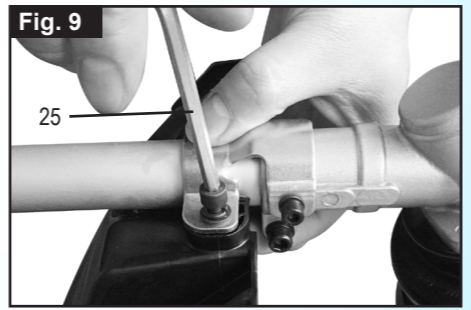
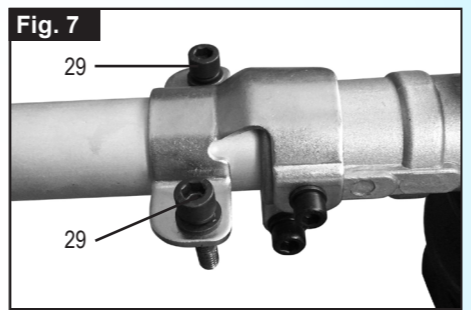
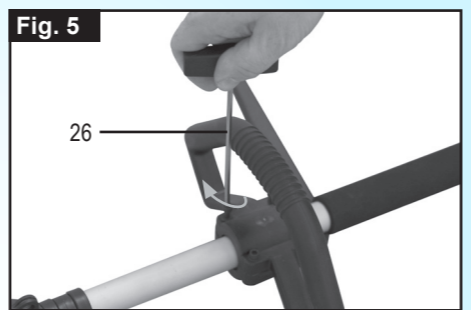
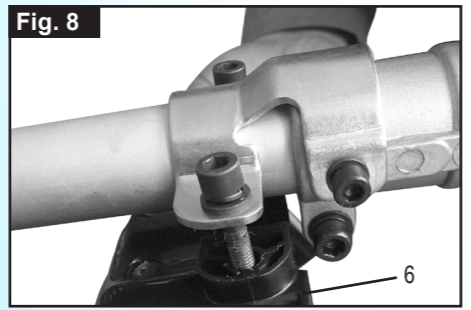
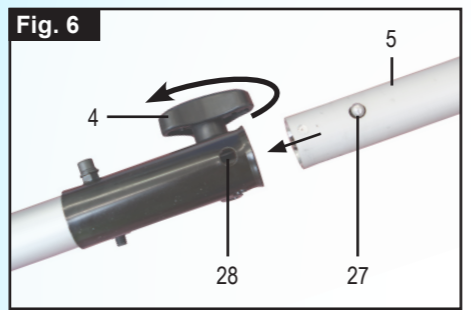
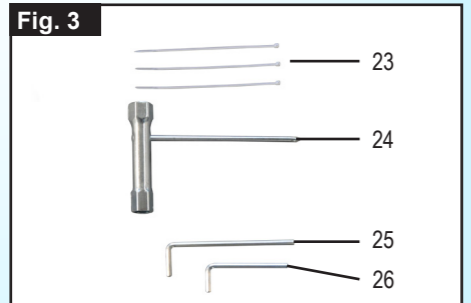
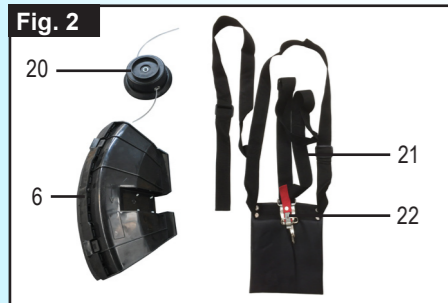
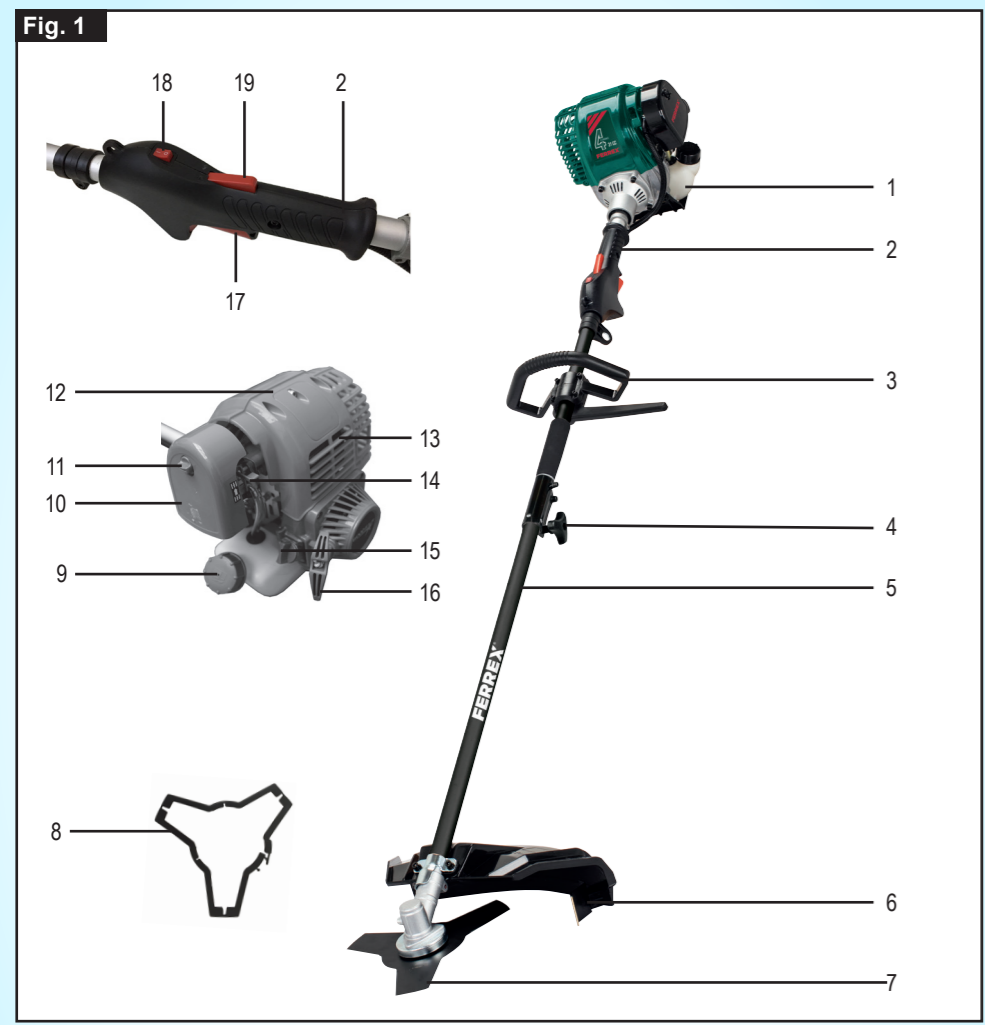
support@scheppach.com.au

MODEL: BCH3200PB4

10/2020

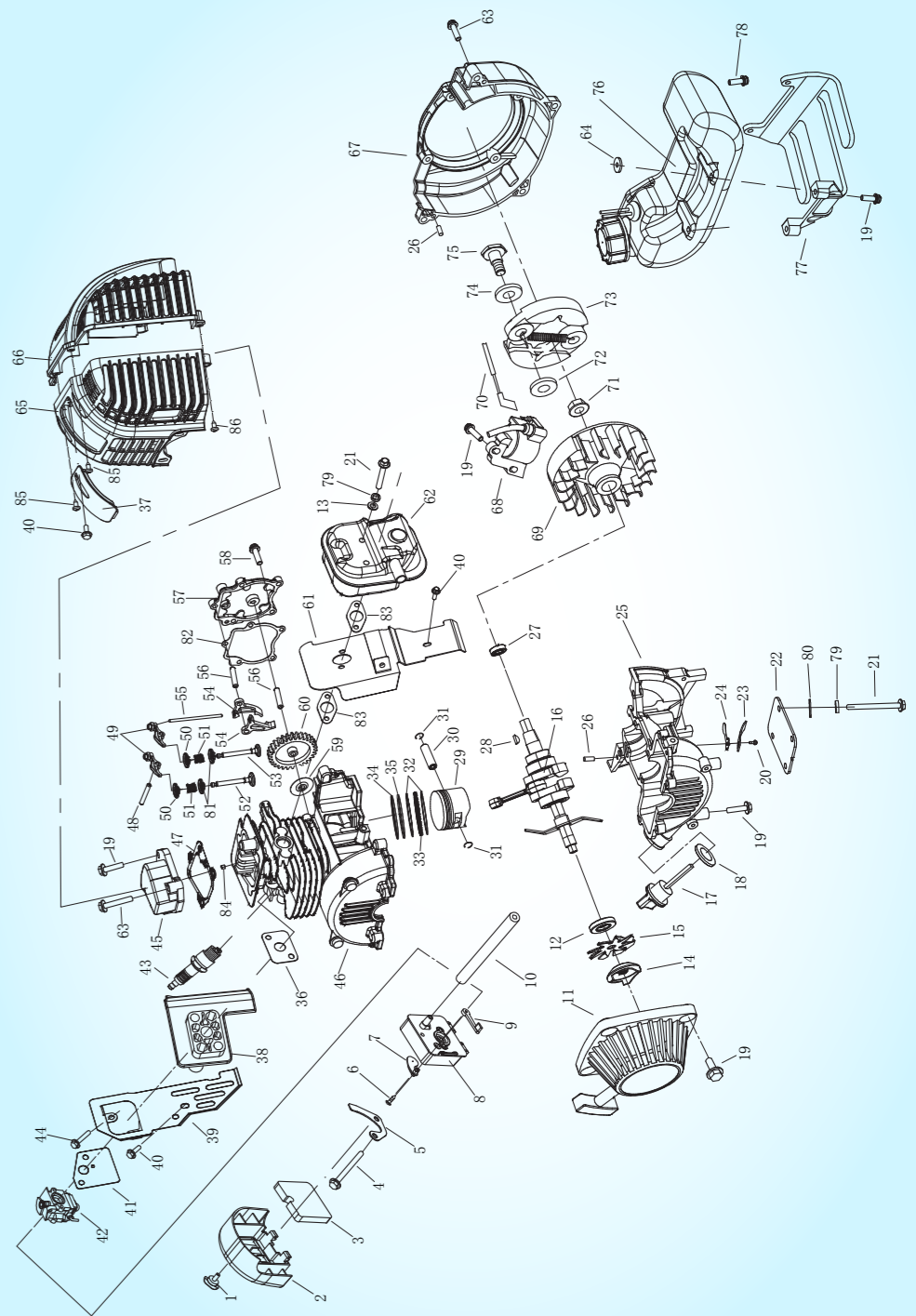
# 3

YEAR WARRANTY

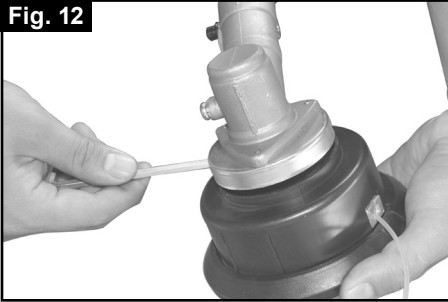


### Pack contents/parts

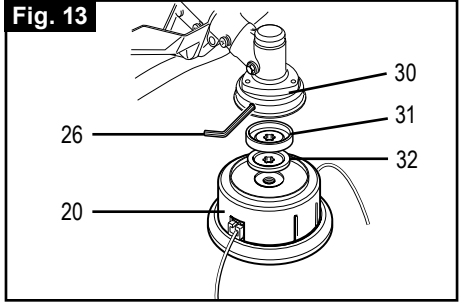
- 1x Brush cutter 31cc (4 stroke)
- 1x 3 teeth blade
- 2x Nylon cutting head
- 1x Shoulder strap
- 1x Loop (P-) handle
- 1x Spark plug wrench
- 1x Allen key 4mm
- 1x Allen key 5mm
- 3x Cable tie
- 1x Instruction manual
- 1x Warranty card



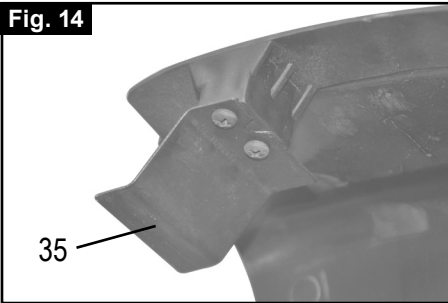
**Fig. 12**



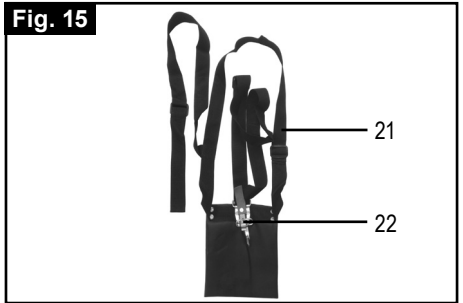
**Fig. 13**



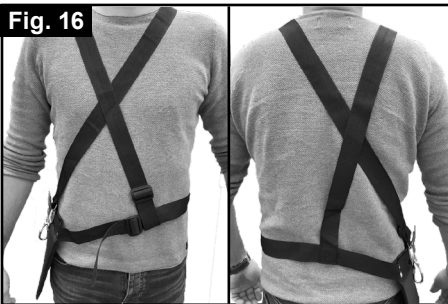
**Fig. 14**



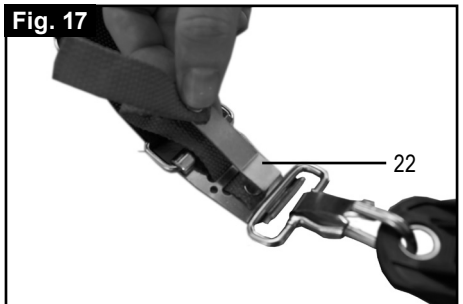
**Fig. 15**



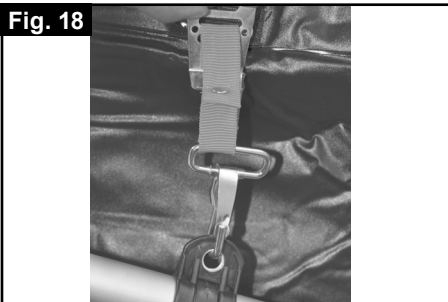
**Fig. 16**



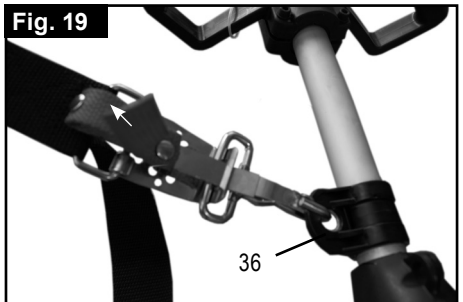
**Fig. 17**



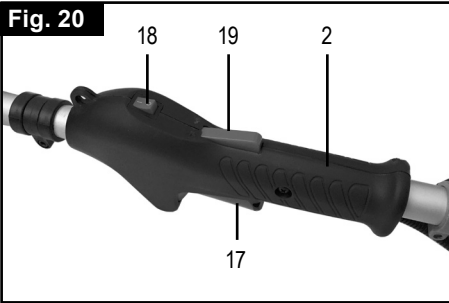
**Fig. 18**



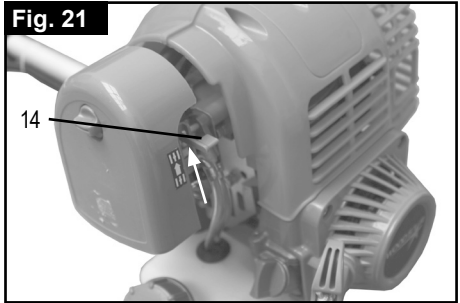
**Fig. 19**



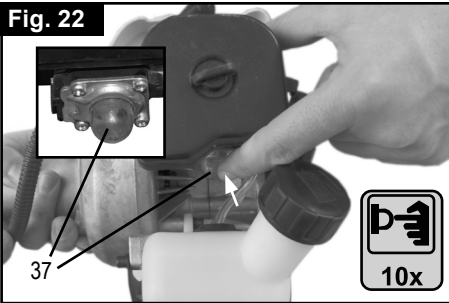
**Fig. 20**



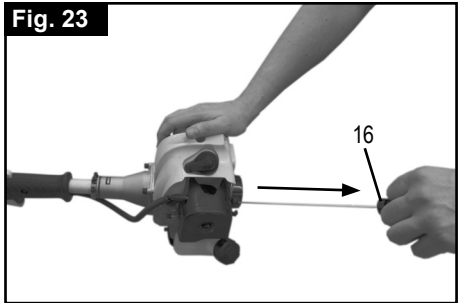
**Fig. 21**



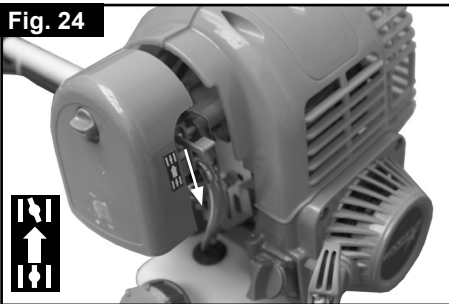
**Fig. 22**



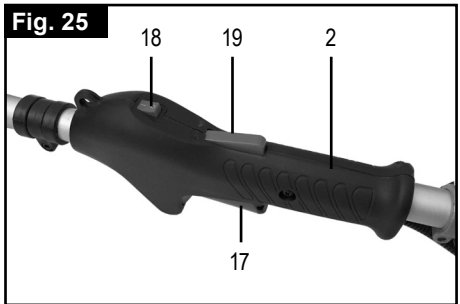
**Fig. 23**



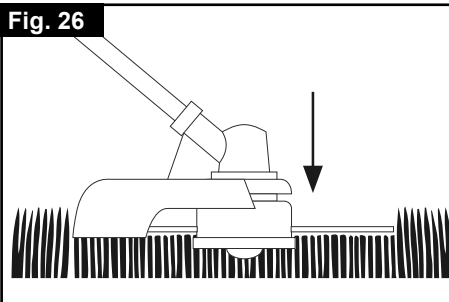
**Fig. 24**



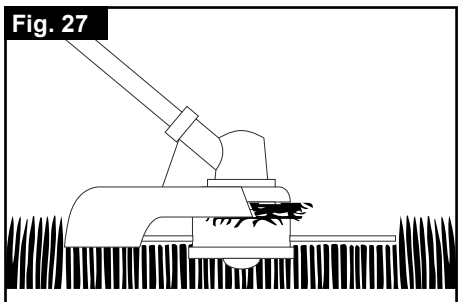
**Fig. 25**



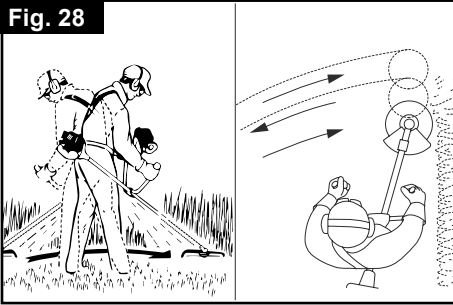
**Fig. 26**



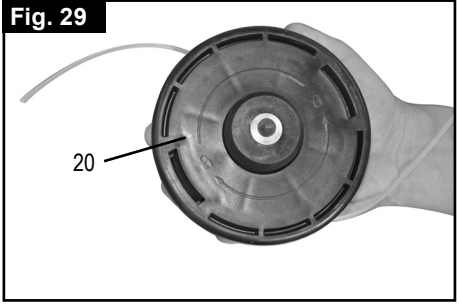
**Fig. 27**



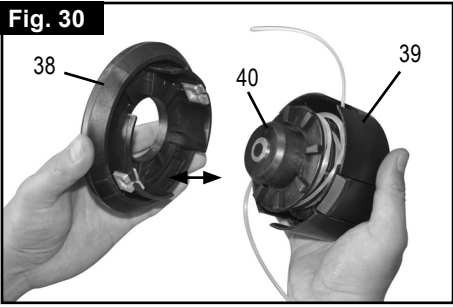
**Fig. 28**



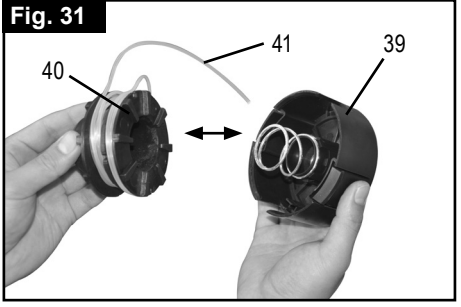
**Fig. 29**



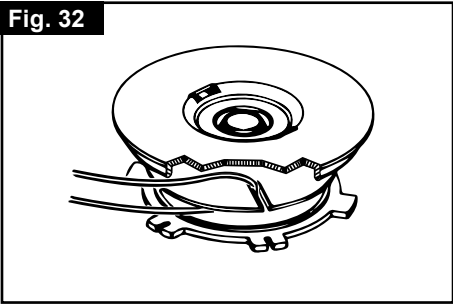
**Fig. 30**



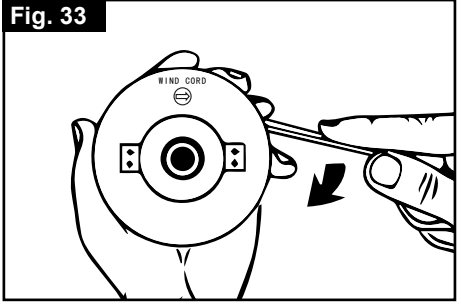
**Fig. 31**



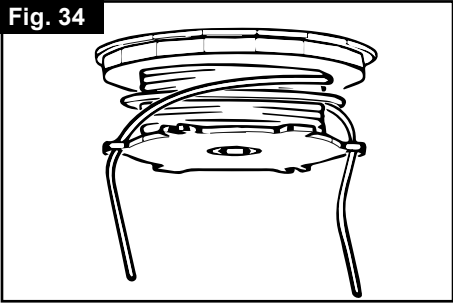
**Fig. 32**



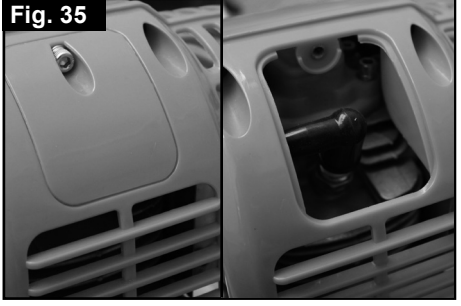
**Fig. 33**

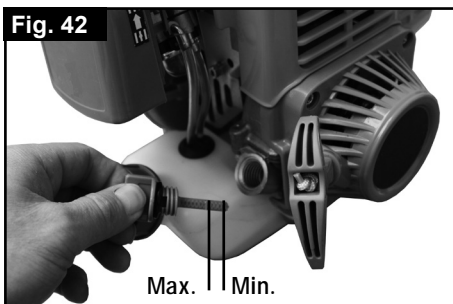
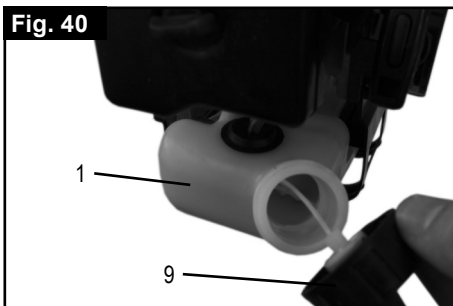
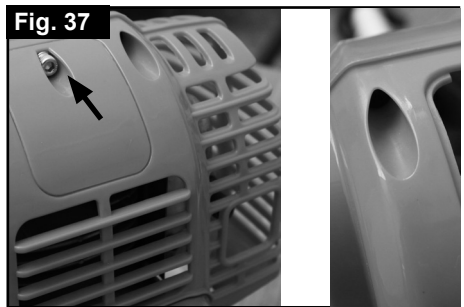
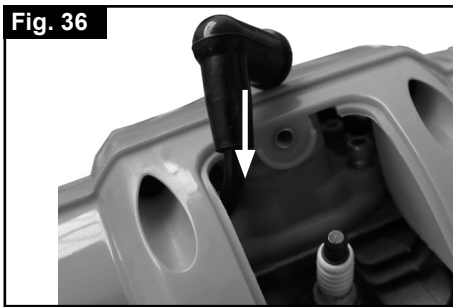


**Fig. 34**














**Fig. 35**




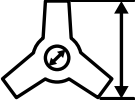
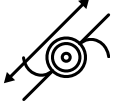





## Explanation of symbols

	Read the instruction manual.
	Warning! Petrol is very flammable. Avoid smoking or getting any flame or sparks close to fuel.
	Warning! Denotes risk of personal injury, loss of life, or damage to the tool in case of non-observance.
	Warning! Risk of injury! Do not let your hands or feet come in contact with the blades when the motor is running.
	Warning! Keep all children, bystanders and helpers 15 meters away from the brush cutter!
	Wear robust footwear when using the device!
	Wear protective helmet, ear and eye protection.
	Wear protective gloves when using the device!
	Warning! The exhaust and other parts of the engine will get very hot during use, do not touch!
	Fuel tank capacity
	Warning! Beware of thrown objects hit by cutting attachments. Never use without properly mounted blade guard.

Explanation of symbols

	<p>Conforms to relevant standards for electromagnetic compatibility.</p>
	<p>Caution kickback!</p>
	<p>Caution, do not use saw blades or multi-part metal cutting tools!</p>
	<p>Brush cutter</p>
	<p>Grass trimmer</p>
	<p>Guaranteed sound power</p>
<p><b>⚠ ATTENTION!</b></p>	<p>These operating instruction provide places concerning your safety which are marked with this indication.</p>
<p><b>⚠ CAUTION!</b></p>	<p>Failure to follow these instructions may cause light to medium risk of injury.</p>
<p><b>⚠ WARNING!</b></p>	<p>Failure to follow these instructions may cause danger to life or danger of serious injuries.</p>



## I. Introduction

Congratulations on choosing to buy a FERREX® product.

All products brought to you by FERREX® are manufactured to the highest standards of performance and safety, and as part of our philosophy of customer service and satisfaction, are backed by our comprehensive 3 Year Warranty.

We hope you will enjoy using your purchase for many years to come.

### **Note:**

According to the applicable product liability law the manufacturer of this device is not liable for damages which arise on or in connection with this device in case of:

- improper handling,
- non-compliance with the instructions for use,
- repairs by third party, non-authorised skilled workers,
- installation and replacement of non-original spare parts,
- improper use,
- failures of the electrical system due to the non-compliance with the electrical specifications and regulations.

### **Recommendations:**

Read the entire text of the operating instructions prior to the assembly and operation of the device.

These operating instructions are intended to make it easier for you to get familiar with your device and utilise its intended possibilities of use.

The operating instructions contain important notes on how to work safely, properly and economically with your machine and how to avoid dangers, save repair costs, reduce downtime, and increase the reliability and working life of the machine.

In addition to the safety regulations contained herein, you must in any case comply with the applicable regulations of your country with respect to the operation of the machine.

Put the operating instructions in a clear plastic folder to protect them from dirt and humidity, and store them near the machine. The instructions must be read and carefully observed by each operator prior to starting the work. Only persons who have been trained in the use of the machine and have been informed on the related dangers and risks are allowed to use the machine. The required minimum age must be met.

In addition to the safety notes contained in the present operating instructions and the special regulations of your country, the generally recognised technical rules for the operation of identically constructed machines must be observed.

## 2. Layout (Fig. 1 - 31)

1. Petrol tank
2. Rear handle
3. Front handle
4. Star knob
5. Long handle with drive shaft
6. Safe guard
7. Cutting blade
8. Cutting blade safe guard
9. Filler cap
10. Air filter housing cover
11. Air filter housing opener
12. Spark plug boot
13. Housing for engine cooler
14. Choke lever
15. Oil filler neck
16. Starter cable
17. Throttle lever
18. Switch On/Off
19. Throttle lock lever
20. Nylon cutting head
21. Shoulder strap
22. Emergency release
23. Cable ties (3x)
24. Spark plug wrench
25. Allen key (size 5)
26. Allen key (size 4)
27. Locking pin
28. Bore for locking pin
29. Screw for safe guard (2x)
30. Inner Shield
31. Inner flange
32. Outer flange
33. Outer Shield
34. Nut
35. Integrated blade
36. Shoulder belt suspension
37. Fuel pump
38. Nylon cutting head cover
39. Nylon cutting head housing
40. Nylon spool
41. Nylon cord

### 3. Scope of delivery

- Open the packaging and take out the equipment with care.
- Remove the packaging material and any packaging and/or transportation braces (if available).
- Check to see if all items are present.
- If possible, keep the packaging until the end of the guarantee period.
- Read the operating instructions to make yourself familiar with the device prior to using it.
- Please dispose the packaging after the guarantee period in an environmentally friendly way.
- Only use original parts for accessories as well as for wearing and spare parts. Spare parts are available from your specialized retailer.
- Specify our part numbers as well as the type and year of construction of the device in your orders.

#### **⚠ Important!**

The equipment and packaging material are not toys. Do not let children play with plastic bags, foils or small parts. There is a danger of swallowing or suffocating!

1x Brush cutter 31cc (4 stroke)

1x 3 teeth blade

2x Nylon cutting head

1x Shoulder strap

1x Loop (P-) handle

1x Spark plug wrench

1x Allen key 4mm

1x Allen key 5mm

3x Cable tie

1x Instruction manual

1x Warranty card

### 4. Intended use

The brush cutter (using the cutting blade) is designed for cutting young trees, strong weeds and undergrowth. The brush cutter (using the line spool with cutting line) is designed for cutting lawns, grassed areas and small weeds. The operating instructions as supplied by the manufacturer must be obeyed to ensure that the equipment is used properly. Any use which is not expressly permitted in the manual may result in damage to the equipment and place the user in serious danger. Be sure to observe the restrictions in the safety instructions. Please note, this product has been designed for outdoor domestic use only and is not intended for commercial, trade or industrial applications. Our warranty will be voided if the equipment is used in commercial, trade or industrial businesses or for equivalent purposes.

⚠ **IMPORTANT!** Due to the high risk of bodily injury to the user, the petrol brush cutter must not be used to carry out the following work: to clean dirt and debris off walkways, or to chop up tree or hedge clippings. Similarly, the petrol brush cutter must not be used to level out high areas. For safety reasons, the petrol brush cutter must not be used as a drive unit for other work tools or toolkits of any kind.

The equipment is allowed to be used only for its prescribed purpose. Any other use is deemed to be a case of misuse. The user/operator and not the manufacturer will be liable for any damage or injuries of any kind resulting from such misuse.

**Non-permitted users:**

Persons who are not familiar with the operating manual, children, young people under the age of 16 as well as persons under the influence of alcohol, drugs or medication must not operate the unit.

## 5. General safety instructions for power tools

⚠ **WARNING!** Read all safety warnings, instructions, illustrations and specifications provided with this power tool. Failure to follow all instructions listed below may result in electric shock, fire and/or serious injury.

**Save all warnings and instructions for future reference.**

The term "power tool" in the warnings refers to your mains-operated (corded) power tool, petrol driven power tool or battery-operated (cordless) power tool.

### 1) Work area safety

- a. **Keep work area clean and well lit.** Cluttered or dark areas invite accidents.
- b. **Do not operate power tools in explosive atmospheres, such as in the presence of flammable liquids, gases or dust.** Power tools create sparks which may ignite the dust or fumes.
- c. **Keep children and bystanders away while operating a power tool.** Distractions can cause you to lose control.

### 2) Electrical safety

- a. **Power tool plugs must match the outlet. Never modify the plug in any way. Do not use any adapter plugs with earthed (grounded) power tools.** Unmodified plugs and matching outlets will reduce risk of electric shock.
- b. **Avoid body contact with earthed or grounded surfaces, such as pipes, radiators, ranges and refrigerators.** There is an increased risk of electric shock if your body is earthed or grounded.
- c. **Do not expose power tools to rain or wet conditions.** Water entering a power tool will increase the risk of electric shock.

- d. **Do not abuse the cord. Never use the cord for carrying, pulling or unplugging the power tool. Keep cord away from heat, oil, sharp edges or moving parts.** Damaged or entangled cords increase the risk of electric shock.
- e. **When operating a power tool outdoors, use an extension cord suitable for outdoor use.** Use of a cord suitable for outdoor use reduces the risk of electric shock.
- f. **If operating a power tool in a damp location is unavoidable, use a residual current device (RCD) protected supply.** Use of an RCD reduces the risk of electric shock.

### 3) Personal safety

- a. **Stay alert, watch what you are doing and use common sense when operating a power tool. Do not use a power tool while you are tired or under the influence of drugs, alcohol or medication.** A moment of inattention while operating power tools may result in serious personal injury.
- b. **Use personal protective equipment. Always wear eye protection.** Protective equipment such as a dust mask, non-skid safety shoes, hard hat or hearing protection used for appropriate conditions will reduce personal injuries.
- c. **Prevent unintentional starting. Ensure the switch is in the off-position before connecting to power source and/or battery pack, picking up or carrying the tool.** Carrying power tools with your finger on the switch or energising power tools that have the switch on invites accidents.
- d. **Remove any adjusting key or wrench before turning the power tool on.** A wrench or a key left attached to a rotating part of the power tool may result in personal injury.
- e. **Do not overreach. Keep proper footing and balance at all times.** This enables better control of the power tool in unexpected situations.
- f. **Dress properly. Do not wear loose clothing or jewellery. Keep your hair and clothing away from moving parts.** Loose clothes, jewellery or long hair can be caught in moving parts.
- g. **If devices are provided for the connection of dust extraction and collection facilities, ensure these are connected and properly used.** Use of dust collection can reduce dust-related hazards.
- h. **Do not let familiarity gained from frequent use of tools allow you to become complacent and ignore tool safety principles.** A careless action can cause severe injury within a fraction of a second.

### 4) Power tool use and care

- a. **Do not force the power tool. Use the correct power tool for your application.** The correct power tool will do the job better and safer at the rate for

which it was designed.

- b. Do not use the power tool if the switch does not turn it on and off.** Any power tool that cannot be controlled with the switch is dangerous and must be repaired.
- c. Disconnect the plug from the power source and/or remove the battery pack, if detachable, from the power tool before making any adjustments, changing accessories, or storing power tools.** Such preventive safety measures reduce the risk of starting the power tool accidentally.
- d. Store idle power tools out of the reach of children and do not allow persons unfamiliar with the power tool or these instructions to operate the power tool.** Power tools are dangerous in the hands of untrained users.
- e. Maintain power tools and accessories. Check for misalignment or binding of moving parts, breakage of parts and any other condition that may affect the power tool's operation. If damaged, have the power tool repaired before use.** Many accidents are caused by poorly maintained power tools.
- f. Keep cutting tools sharp and clean.** Properly maintained cutting tools with sharp cutting edges are less likely to bind and are easier to control.
- g. Use the power tool, accessories and tool bits etc. in accordance with these instructions, taking into account the working conditions and the work to be performed.** Use of the power tool for operations different from those intended could result in a hazardous situation.
- h. Keep handles and grasping surfaces dry, clean and free from oil and grease.** Slippery handles and grasping surfaces do not allow for safe handling and control of the tool in unexpected situations.

## 5) Service

- a. Have your power tool serviced by a qualified repair person using only identical replacement parts.** This will ensure that the safety of the power tool is maintained.

**⚠ WARNING!** This electric tool generates an electromagnetic field during operation. This field can impair active or passive medical implants under certain conditions. In order to prevent the risk of serious or deadly injuries, we recommend that persons with medical implants consult with their physician and the manufacturer of the medical implant prior to operating the electric tool.

### **Additional Safety Rules for Petrol products**

- Do not operate in a hazardous location. Such areas include where there is a risk of explosion of petrol fumes, leaking gas or explosive dust.
- Do not operate in a confined area. Exhaust gases, smoke or fumes could reach dangerous concentrations.
- Protect your product. This brush cutter / grass trimmer is NOT WEATHERPROOF and should not be exposed to direct sunlight, high ambient temperature and damp, wet or high humidity conditions.
- Do not smoke while refuelling. This is potentially dangerous as it may ignite the fuel and cause an explosion.
- Take care not to spill fuel or oil. When refuelling the brush cutter / grass trimmer ensure that the motor has been switched off. Prevent the spilling of fuel as this may also ignite with the hot motor. Never refuel whilst the engine running.
- Check for fuel leaks. Do not operate if a fuel leak is detected. Where a fuel leak is detected, drain the tank of fuel and have the leak repaired.
- Be careful where you store the brush cutter / grass trimmer. Store the brush cutter / grass trimmer in a dry area away from flammable liquids.
- Keep your distance. The brush cutter / grass trimmer emits exhaust fumes. Ensure bystanders keep a safe distance.
- Never fill fuel tank indoors. Never fill fuel tank when engine is running or hot. Do not smoke when filling fuel tank.

### **Additional Safety Rules for Petrol Grass Trimmers**

- Follow all sections of the Additional Safety Rules for Petrol Products.
- Always wear goggles, earmuffs and a dusk mask when using the Grass Trimmer.
- Only use the length and diameter of nylon cutting line as detailed in this manual. Never use any other cutting material.
- Never use the Grass Trimmer without the supplied and correctly fitted guard.
- Ensure the line trimming blade is in good order to ensure the correct length of cutting line is maintained.
- Keep bystanders at least 15 metres away from the operating the Grass Trimmer.
- During operation, always hold the Grass Trimmer with both hands, and make use of the Double Shoulder Strap Harness.
- Maintain a firm footing. Wear suitable fully enclosed footwear.
- Always turn off the petrol motor when making adjustments to the cutting head or line, when cleaning, or performing any maintenance tasks.
- When operating the Grass Trimmer, be aware of the ground where the Grass Trimmer is being operated. The cutting head and line is designed to trim grass and similar undergrowth, and stones and foreign matter should be avoided.

- Prior to operation, ensure the assembled line Grass Trimmer is checked for loose components and the operating controls of the trimmer. Do not use the Grass Trimmer if the controls are not in perfect working order. Ensure all nuts, bolts and clamps are all tight.

### **Additional Safety rules for Petrol Brush cutters**

**⚠ WARNING!** Extreme care must be taken when using blades to ensure safe operation. Read the safety information for safe operation using the blade.

- Follow all sections of the Additional Safety Rules for Petrol Products.
- Always hold brush cutter with both hands when operating. Use a firm grip on both handles.
- Maintain your grip and balance on both feet. Position yourself so that you will not be drawn off balance by the kick-back reaction of the cutting blade.
- Inspect and clear the area of any hidden objects such as glass, stones, concrete, fencing, wire, wood, metal, etc.
- Never use blades near footpaths, fencing, posts, buildings or other immovable objects.
- Never use a blade after hitting a hard object without first inspecting it for damage. Do not use if any damage is detected.
- The unit is used as a scythe, cutting from the right to the left in a broad sweeping action from side to side.
- Always wear goggles, earmuffs and a dusk mask when using the brush cutter.
- Only use blades with a cutting diameter of 255mm and a bore size of 25.4 mm.
- Only use the brush cutter with the correctly supplied and fitted brush cutter guard.
- Keep bystanders a minimum of 15 metres from the operation of the brush cutter.
- Prior to operation, ensure the assembled brush cutter is checked for loose components and the operating controls of the brush cutter. Do not use the brush cutter if the controls are not in perfect working order. Ensure all nuts, bolts and clamps are all tight.
- Check the blade is correctly seated and the blade nut is tight.
- DO NOT substitute the blade with any other types of blade other than that is detailed in this manual. DO NOT fit a saw blade to this product.
- This brush cutter is fitted with a centrifugal clutch. At idle, the blade must not be rotating. Make a practice to always check the clutch is correctly operating and at idle the blade does not rotate, and rotation of the blade only occurs as the speed of the motor is increase from manually operating the speed trigger. Do NOT use the brush cutter if the blade at idle speed is rotating and take it to an authorised service centre.
- Exercise extreme caution when using the 3T brush cutter blade with this unit. Blade thrust is the reaction which may occur when the spinning 3T brush cut-



ter blade contacts anything it cannot cut. This contact may cause the 3T brush cutter blade to stop for an instant, and suddenly “thrust” the unit away from the object that was hit. This reaction can be violent enough to cause the operator to lose control of the unit. Blade thrust may occur without warning if the blade snags, stalls or binds. This is more than likely to occur in areas where it is difficult to see the material being cut.

## 6. Before starting the equipment

Each time before use, check the following:

- That there are no leaks in the fuel system.
- That the equipment is in perfect condition and that the safety devices and cutting devices are complete.
- That all screws are securely fastened.
- That all moving parts move smoothly.
- That there are no damaged parts, such as cracks in the cutting attachment.
- 

**⚠ CAUTION! The engine does not come with oil in it. Therefore, ensure that you add 0.08 litres (80mL) of oil before starting it up. Use normal, multigrade oil (SAE30 / 10W30). The oil level in the engine must be checked each time before mowing. (Fig. 41+42) You will also need to fill with petrol, as this is also not supplied upon delivery.**

### Fuel:

Recommended fuels.

Normal petrol / Lead free max. 5% bioethanol

**⚠ Important!** Only use containers designed and approved for the purpose to transport and store fuel.

**⚠ WARNING! Take care of the emission of exhaust gases. Always shut off engine before fueling. Never add fuel to a machine with a running or hot engine. Take care of fire!**

## 7. Attachment and operation

### 7.1 ASSEMBLY

When assembling this machine, please follow the instructions for assembly printed.

#### 7.1.1 Assemble the handle on the machine (Fig. 4-5)

- Install the front handles as show in Fig. 5.
- Make sure that you align the pin with the hole in the aluminum shaft. Tighten the screws after you have set the risers to the most comfortable working position.
- The front handles should be aligned as in Fig. 4 and 5 shown, then tighten the four screws with the allen key (26).

### **7.1.2 Mounting the shaft (Fig. 6)**

- Push the lower part of the long handle with drive shaft (5) right down until the locking pin (27) slots into the bore for locking pin (28) in the shaft. This is easier to do if you rotate the bottom of the long handle with drive shaft (5) slightly in both directions. The locking pin (27) is in place when it is completely lodged in the bore for locking pin (28).
- Lastly, tighten the star knob (4) securely.

### **7.1.3 Assemble the safe guard (Fig. 7-9)**

- Fix the safe guard (6) with the two screws for safe guard (29) and the allen key (25).

**⚠ WARNING!** Use only original manufacturer's replacement parts, accessories and attachments. Failure to do so can cause poor performance, possible injury and may void your warranty. Never use the machine without the guard assembled.

### **7.1.4 Assembling and disassembling the two cutting devices**

#### **7.1.4.1 Assemble the cutting blade (7) (Fig. 10-11)**

- Fit the blade: Take the outer flange (32), outer shield (33) off after releasing the nut (34) with the spark plug wrench (24), then put the nut (34), outer shield (33), outer flange (32), cutting blade (7) and inner flange (31) together. Use an allen key (26) to line up the two holes of inner flange (31) and inner shield (30) and tighten nut anti-clockwise with the spark plug wrench (24), ensuring the nut is tightened enough. (See Fig. 10)
- Release blade. Use a allen key to hold inner shield (30) and inner flange (31) and release nut, the blade can be took off.

**⚠ WARNING!** Please make sure the cutting head has been assembled correctly before use!

#### **7.1.4.2 Assemble and disassemble the nylon cutting head (20) (Fig. 12-13)**

- Release the nut (34) if mounted with cutting blade. (Fig. 10)
- Line up the two holes of inner flange (31) and inner shield (30), use the allen key (26) to hold the inner flange (31) and turn the spark plug wrench (24) clockwise, the nut (34) will be released. Remove the outer shield (33) after releasing the nut (34).
- Fit the Nylon cutting head (20). (See Fig. 13)
- Still holding the inner flange (31), take the Nylon cutting head on the shaft and rotate anti-clockwise, the Nylon cutting head is fitted.
- To remove the Nylon cutting head: Use an allen key to hold inner flange (31) and then rotate the Nylon cutting head (20) clockwise, it can be removed.

### 7.1.5 Fit the shoulder strap (21) (Fig. 16-19)

- As shown in Fig. 16, fit the shoulder strap well. When closing the shoulder strap you will hear a noticeable click.
- The shoulder straps can be adjusted according to your size.
- Hang the unit by the shoulder belt suspension (36) on the shoulder strap (21).
- The shoulder strap (21) is fitted with a emergency release (22) which allows rapid removal of the appliance from the harness. (See Fig. 19) To activate the emergency release and release the appliance, "Pull the red tab thus with drawing the metal tab". The attaching clip will release from the harness.

## 7.2 OPERATION

When working with the equipment, the appropriate safe guard (6) hood for cutting blade mode or cutting line mode must be fitted to prevent objects being thrown out by the equipment. (Fig. 7-9) The integrated blade (35) in the safe guard automatically cuts the line to the optimum length. (Fig. 14)

### 7.2.1 Filling with fuel (Fig. 40)

**⚠ Danger of injury! Fuel is explosive!** Turn off and cool the motor down before filling the tank with fuel. You must observe all safety instructions relating to handling fuel.

**⚠ Risk of device damage! The device is supplied without motor or gearbox oil.**

**⚠ ATTENTION! Before operating, you must fill it with fuel.**

- Unscrew the filler cap (9) from the petrol tank (1) and remove it. (Fig. 40)
- Pour in the fuel carefully. Avoid spilling!
- Screw the filler cap (9) on the petrol tank (1) firmly by hand.

**⚠ Warning! Before starting the unit, move away from the fueling site.**

### 7.2.2 Draining fuel. (Fig. 40)

- Hold a collection container beneath the filler cap (9).
- Unscrew the filler cap (9) and remove it.
- Allow the fuel to run out completely.
- Screw the filler cap (9) on firmly by hand.

### 7.2.3 Start and stopping the Unit

Do not start the unit until it has been completely assembled.

**⚠ Danger of injury! Do not operate the device unless you did not find any faults. If a part has become defective, make sure to replace it before you use the device again.**

### **Check before use!**



- Check the safe condition of the device.
- Check the device for leaks.
- Check the device for visual defects.
- Check that all parts of the device have been securely fitted.
- Check that all safety devices are in proper condition.

### **⚠ Danger of injury!**

Before starting work, always check the ground and remove all objects which could be thrown by the device.

### **7.3 Start (Fig. 20 - 25)**

Once the machine has been set up properly, start the engine as follow:

- Set the equipment down on a hard, level surface.
- Turn the switch On/Off (18) to the ON "I" position. (Fig. 20)
- Put the choke lever (14) on the  position. (Fig. 21)
- Press the fuel pump (37) about 10 times. (Fig. 22)
- Pull the starter cable (16) 3-5 times to start the engine. (Fig. 23)
- Adjust the choke lever (14) to  position. (Fig. 24)
- Pull the starter cable (16) until engine starts. (Fig. 23)

### **7.4 Adjusting the speed on the brush cutter/Grass Trimmer**

- **NOTE:** The cutting head (nylon cutting head or cutting blade) will not rotate at the idle speed. The cutting head (nylon cutting head or cutting blade) will engage and rotate when the speed of the motor is increased.
- To increase speed and engage the cutting head, squeeze the throttle lock lever (19) and then the throttle lever (17). The throttle lock lever (19) can be released during operation.
- To decrease the speed, slowly release the throttle lever (17) to the desired speed.
- To disengage the cutter head (nylon cutting head or cutting blade), release all pressure on the throttle lever (17) and allow the motor to return to idle. The cutter head (nylon cutting head or cutting blade) will disengage at idle.
- **NOTE:** Be aware that when using the cutting blade (7), it will take a few seconds to run down.

**⚠ IMPORTANT!** If the cutting head (nylon cutting head or cutting blade) does not disengage and stop when the throttle is in the idle position, turn off the petrol motor and have the unit checked at a service centre. This should be checked every time the motor is started.

### **7.5 Stopping the brush cutter/ Grass Trimmer**

- Release the throttle lever (17) and allow the engine to idle for a few moments.
- Slide the switch on/off (18) to the 'OFF' position (also indicated on the side of the handle housing by an "0").
- The engine will stop.

**Note:** If there is a problem, press the switch On/Off (18) to the OFF position (Fig. 25), to stop the machine running. To stop the cutting head from running,, release the throttle lever (17). (Fig. 25)

If any problem occurs, pull the emergency release (22), then release the brush cutter immediately. (Fig. 17)

**Note:** If the engine does not start up after several attempts, read the section "Troubleshooting".

**Note:** Always pull the starter cable (16) out in a straight line. If it is pulled out at an angle, then friction will occur on the eyelet. As a result of this friction, the cable will become frayed and will wear away faster. Always hold the starter handle when the cable retracts.

Never allow the cable to snap back when it has been pulled out.

**Note:** Do not start the motor in tall grass.

⚠ **ATTENTION!** When the engine has been switched off, the cutter continues running for several seconds therefore do not stand close to cutting head until the cutter has come to a standstill!

## 8. Working instructions for Brush Cutting and Line Trimming

### 8.1 Extending the cutting line

⚠ **CAUTION!** Do not use any kind of metal wire or metal wire encased in plastic in the line spool. This may cause serious injuries to the user. To extend the cutting line, run the engine at full speed and tap the line spool on the ground. This will automatically extend the line. Fig. 26

The integrated blade (35) on the safety shield will cut the line to the appropriate length. (Fig. 14)

⚠ **IMPORTANT!** Slide the switch on/off (18) to the 'OFF' position. Remove all grass and weed remnants at regular intervals to prevent the shaft tube overheating. Lawn, grass and weed remnants become trapped under the safety shield and prevent the shaft tube from receiving adequate ventilation. Remove the remnants carefully using a screwdriver or the like. (Fig. 27)

### 8.2 Different cutting methods

When the equipment is correctly assembled it will cut weeds and long grass in places which are difficult to access, e.g. along fences, walls and foundations and also around trees. It can also be used for "mowing" down vegetation so that a garden can be better prepared or a certain area cleared down to the soil. (Fig. 28)

⚠ **ATTENTION!** Even if it is used carefully, cutting around foundations, stone or concrete walls, etc. will result in the line suffering more than normal wear.

### 8.3 Trimming/mowing

Swing the trimmer from side to side in a scything motion. Always keep the line spool parallel to the ground. Check the site and decide which cutting height you require. Guide and hold the line spool at the required height to obtain an even cut. (Fig. 28)

### **8.3.1 Low trimming**

Hold the trimmer right in front of you at a slight angle so that the underside of the line spool is above the ground and the line strikes the correct target. Always cut away from yourself. Never draw the trimmer towards yourself.

### **8.3.2 Cutting along fences/foundations**

Approach wire mesh fences, timber fences, natural stone walls and foundations slowly so that you can cut close to them without striking the obstacle with the line. If, for example, the line strikes stones, stone walls or foundations, it will wear or fray. If the line strikes wire fencing, it will break.

### **8.3.3 Trimming around trees**

When trimming around tree trunks, approach slowly so that the line does not strike the bark. Walk around the tree, cutting from left to right. Approach grass or weeds with the tip of the line and tilt the line spool forwards slightly.

Warning! Take extreme care during mowing work. When doing such work keep a distance of 30 meters between yourself and other people or animals.

### **8.3.4 Mowing**

When mowing, you want to cut all the vegetation down to the ground. To do this, set the line spool at an angle of 30° to the right. Place the handle in the required position. Remember the increased risk of injury to the user, watchers and animals, and the danger of damaging property due to objects (for example stones) being thrown.

**⚠ WARNING!** Do not use the equipment to remove objects from footpaths, etc. The equipment is a powerful tool and can throw small stones and other objects a distance of 15 meters or more, causing injuries and damage to cars, houses and windows.

## **8.4 Jamming**

If the cutting blade jams as a result of attempting to cut vegetation that is too dense, switch off the engine immediately. Remove the grass and scrub from the equipment before you restart it. (Fig. 27)

## **8.5 Preventing recoil**

When you work with the blade, there is a risk of recoil if it strikes solid objects such as tree trunks, branches, tree stumps, stones or the like. This will throw the equipment backwards in the direction opposite to the rotation of the tool. This can cause you to lose control of the equipment. Do not use the blade near fences, metal posts, boundary stones or foundations.

## 9. Maintenance and Cleaning

⚠ **ATTENTION!** Sharp edges. For all work on and around cutting tools always wear protective gloves.

When not in use, transport or storage always mount transport protection on all cutting tools.

⚠ **WARNING!** Before performing any maintenance or cleaning work, always turn off the engine and pull out the spark plug boot.

- Do not spray the unit with water. It damages the engine.
- Clean the unit with a cloth, hand brush, etc.

Maintenance schedule			
	12 hours of use	24 hours of use	36 hours of use
Air filter	clean	clean	replace
Spark plug	check	clean	replace

### Expert inspection is required:

- If the brush cutter strikes an object.
- If the motor stops suddenly
- If the blade is bent (do not align!)
- If the gears are damaged.

### 9.1 Replacing the nylon spool/nylon cord (Fig. 29-34)

- Dismantle the nylon cutting head (20) as described in section 7.1.4.2. To open the nylon cutting head, press firmly in the centre of the two securing tabs on each side of the cutting head, one at a time. When pressed firmly, the spool cover can be lifted when released. Remove the nylon cutting head cover (38). (Fig. 29 +30)
- Take the nylon spool (40) out of the nylon cutting head housing (39). (Fig. 31)
- Remove any remaining nylon cord (41).
- Place the new nylon cord (41) in the center and hang the loop which has formed into the recess in the spool splitter. (Fig. 32)
- Wind the line onto the spool anti-clockwise and under tension (Fig. 33). The spool splitter will separate the two halves of the line. (Fig. 32)
- Hook the last 15 cm of the two ends of the line onto the opposite lying line holders of the spool plate. (Fig. 34)
- Thread the two ends of the line through the metal eyelets in the nylon cutting head housing.
- Press the nylon spool (40) into the nylon cutting head housing (39). (Fig. 31)
- Pull the two line ends sharply to release them from the line holders.
- Join the housing parts together again. (Fig. 30)
- Cut the excess line to a length of around 13 cm. This will reduce the load on the engine when starting and warming up.
- Remount the line spool (7.1.4.2). If you are replacing the complete line spool, skip points 3-6.

## 9.2 Grinding the safety hood blade

The safety hood blade can become blunt over time.

- When you notice this, undo the screw holding the safety hood blade on the safety hood.
- Clamp the blade in a vise.
- Sharpen the blade with a flat file and make sure that the angle of the cutting edge is not altered in the process. File in one direction only.

Replacing and resharpening the cutting blade at the end of the mowing season always resharpen the cutting blade or, if required, replace the cutting blade with a new one.

Unbalanced blades will cause the brush cutter to vibrate violently-risk of accident!

## 9.3 Change and clean the spark plug Fig. 35 - 37

- Once the engine has cooled, remove the spark plug using the spark plug wrench (24) supplied.
- Clean the plug with a wire brush.
- Using a feeler gauge; set the gap to 0.5-0.7 mm.
- Install the spark plug carefully by hand, to avoid cross-threading.
- After the spark plug is seated, tighten with spark plug wrench (24) to compress the washer.

## 9.4 Clean the air filter Fig. 38 - 39

Soiled air filters reduce the engine power by supplying too little air to the carburetor. Regular checks are therefore essential.

- Unclip the air filter housing cover (10) by opening the air filter housing opener (11) anti-clockwise and remove the sponge filter element.
- To avoid objects falling into the air tank, replace the air filter housing cover (10).
- Wash the filter element in warm soap water, rinse and allow drying naturally.

⚠ **IMPORTANT!** Never clean the air filter with petrol or inflammable solvents.

## 9.5 Checking the oil level

⚠ **CAUTION!** Never run the engine with no or too little oil. This could cause severe damage to the engine. Use only SAE30 / 10W30 engine oil.

### 9.5.1 Checking the oil level (Fig. 41-42):

- Lay unit on a flat surface.
- Unscrew the oil filler neck (15) by turning anticlockwise, pull out the dip stick. Insert the dip stick back in the filling mount as far as the stop.
- Pull out the dip stick again and read off the oil level while holding horizontally. The oil level must be between the maximum and the minimum.



### **9.5.2 Changing the oil (Fig. 41-42)**

- Change the engine oil every year before the start of the season when the engine is warm.
- Use only engine oil (SAE30 / 10W30).
- Open the oil filler neck ( 15).
- Drain the warm engine oil into a drip tray.
- Fill up with engine oil as far as the top mark on the dipstick (approx. 0.315 l).

**Dispose of the used oil in accordance with applicable regulations.**

**⚠ WARNING!**

**Never run the engine without the air filter element installed.**

### **9.6 Lubricate angle transmission**

Lubricate with lithium-based grease. Remove the screw and put in the grease, turning the shaft manually until grease emerges, then replace the screw.

### **9.7 Important hint in case of sending the equipment to a service station:**

Due to safety reasons please see to it that the equipment is sent back free of oil and petrol!

### **9.8 Service information**

Please note that the following parts of this product are subject to normal or natural wear and that the following parts are therefore also required for use as consumables.

Wear parts\*: Line spool, cutting blade, spark plug, air filter

\* Not necessarily included in the scope of delivery!

### **9.9 Cleaning**

- Keep handles free of oil, so you always have a secure hold.

**⚠ IMPORTANT!**

- Always pull out the spark plug boot each time before carrying out any cleaning.
- Never immerse the equipment in water or other liquids in order to clean it.
- Store the brush cutter in a safe and dry place out of the reach of children.

## 10. Storage

### Storing the unit

After cutting, clean the unit thoroughly. Store the unit in a dry room allow the motor to cool down beforehand.

### Storage

**⚠ IMPORTANT!** Never put the equipment into storage for longer than 30 days without carrying out the following steps.

### Storing the equipment

If you intend to store the equipment for longer than 30 days, the equipment must be prepared accordingly. Otherwise the fuel still remaining in the carburetor will evaporate and leave a rubbery sediment. This can cause problems when starting up the equipment and may require expensive repairs.

- Slowly remove the fuel tank cap to release any pressure that may have formed in the tank. Carefully empty the tank.
- To remove the fuel from the carburetor, start the engine and let it run until the equipment stops.
- Leave the engine to cool (approx. 5 minutes).
- Remove the spark plug (see section 9 Change and clean the spark plug).
- Add one teaspoon of 4-stroke engine oil into the combustion chamber. Slowly pull the starter cord several times to apply a layer of oil to all internal components. Fit the spark plug again.

**Note:** Store the equipment in a dry place and far away from possible ignition sources such as an oven, a gas-fired hot water boiler, a gas-fired dryer, etc.

### Putting the equipment back into operation

- Remove the spark plug (see section 9 Change and clean the spark plug).
- Quickly tug on the starter cord to remove excess oil from the combustion chamber.
- Clean the spark plug and check that the electrode gap is correct, or insert a new spark plug with the correct electrode gap.
- Prepare the equipment for operation.
- Fill the tank with proper fuel.
- Check the oil level.

### Transport

To transport the machine, empty the petrol tank as described in section 7.2.2 Draining Fuel. Clean coarse dirt off the equipment with a brush or hand brush.

## 11. Technical data

<b>Cutting data grass trimmer</b>	
<b>Cutting circle diameter of line mm</b>	430
<b>Cutting line diameter mm</b>	2 x 2.4
<b>Cutting line length m</b>	4
<b>Max. cutting speed max. min<sup>-1</sup></b>	6200
<b>Cutting data brush cutter</b>	
<b>Cutting circle diameter of blade mm</b>	255
<b>Cutter blade thickness mm</b>	1.4
<b>Teeth quantity</b>	3
<b>Max. cutting speed max. min<sup>-1</sup></b>	7300
<b>Power unit</b>	
<b>Displacement cm<sup>3</sup></b>	31.0
<b>Max. engine output kW</b>	0.7
<b>Fuel tank capacity cm<sup>3</sup></b>	720cm <sup>3</sup> , Normal petrol / Lead free max. 5% bioethanol
<b>Oil capacity cm<sup>3</sup></b>	100cm <sup>3</sup>
<b>Oil</b>	10W30 / SAE30
<b>Engine type</b>	4-stroke engine, air-cooled
<b>Max. rotational frequency of the spindle;</b>	9800min <sup>-1</sup>
<b>Engine idling speed min<sup>-1</sup></b>	3000 min <sup>-1</sup>
<b>Guaranteed L<sub>WA</sub></b>	112 dB(A)
<b>Weight (without fuel, cutting attachment and guard (kg)</b>	7.8 kg

### Subject to technical changes!

Information concerning noise emission and vibration under idling , racing speed, left handle. measured according to relevant standards:

### Measured sound pressure level at operator position:

Brush cutter

LpA, Idle: 76.5dB(A) K= 3dB(a)

LpA, racing: 97.1dB(A) K= 3dB(a)

LpA, av: 94.2dB(A) K= 3dB(a)

Grass trimmer

LpA, Idle: 76.3dB(A) K= 3dB(a)

LpA, racing: 97.1dB(A) K= 3dB(a)



LpA, av: 94.2dB(A) K= 3dB(a)



## **12. Disposal and recycling**

The equipment is supplied in packaging to prevent it from being damaged in transit. The raw materials in this packaging can be reused or recycled. The equipment and its accessories are made of various types of material, such as metal and plastic. Defective components must be disposed of as special waste. Ask your dealer or your local council.

### 13. Troubleshooting

Fault	Possible Cause	Remedy
The equipment does not start.	<ul style="list-style-type: none"> <li>• Correct starting procedure not followed.</li> <li>• Sooted or damp spark plug.</li> <li>• Incorrect carburetor setting.</li> <li>• Blade or nylon cutter mounted incorrectly.</li> <li>• No fuel in the tank.</li> </ul>	<ul style="list-style-type: none"> <li>• Follow the instructions for starting</li> <li>• Clean the spark plug or replace it with a new one.</li> <li>• Contact an authorized customer service outlet.</li> <li>• Reassemble the blade or nylon cutter.</li> <li>• Check the fuel level.</li> </ul>
The equipment starts but does not develop its full power.	<ul style="list-style-type: none"> <li>• Incorrect choke lever setting.</li> <li>• Soiled air filter.</li> <li>• Incorrect carburetor setting.</li> <li>• Cutting blade blunt.</li> </ul>	<ul style="list-style-type: none"> <li>• Set the choke lever on the  position.</li> <li>• Clean the air filter.</li> <li>• Contact an authorized customer service outlet.</li> <li>• Have cutting blade resharpened / replaced.</li> </ul>
The engine does not run smoothly.	<ul style="list-style-type: none"> <li>• Incorrect electrode gap on the spark plug.</li> <li>• Incorrect carburetor setting.</li> </ul>	<ul style="list-style-type: none"> <li>• Clean the spark plug and adjust the electrode gap, or fit a new spark plug.</li> <li>• Contact an authorized customer service outlet.</li> </ul>
If the temperature of machines is too high.	<ul style="list-style-type: none"> <li>• Engine is overloaded.</li> </ul>	<ul style="list-style-type: none"> <li>• Insure the machines have rest at regular time.</li> </ul>
If the machine will not turn off.	<ul style="list-style-type: none"> <li>• Connection on/off switch defective.</li> </ul>	<ul style="list-style-type: none"> <li>• Put the choke lever (14) on the  position. This will stall the engine.</li> </ul>





**FERREX<sup>®</sup>**

**BRUSH CUTTER 31cc**

## **Warranty Details**

---

REGISTER YOUR PURCHASE AT [www.aldi.com.au/en/about-aldi/product-registration/](http://www.aldi.com.au/en/about-aldi/product-registration/) TO KEEP UP-TO-DATE WITH IMPORTANT PRODUCT INFORMATION

---

The product is guaranteed to be free from defects in workmanship and parts for a period of 36 months from the date of purchase. Defects that occur within this warranty period, under normal use and care, will be repaired, replaced or refunded at our discretion. The benefits conferred by this warranty are in addition to all rights and remedies in respect of the product that the consumer has under the Competition and Consumer Act 2010 and similar state and territory laws.

Our goods come with guarantees that cannot be excluded under the Australian Consumer Law. You are entitled to a replacement or refund for a major failure and for compensation for any other reasonably foreseeable loss or damage. You are also entitled to have the goods repaired or replaced if the goods fail to be of acceptable quality and the failure does not amount to a major failure.



---

---



**BRUSH CUTTER 31cc**

## **Repair and Refurbished Goods or Parts Notice**

Unfortunately, from time to time, faulty products are manufactured which need to be returned to the Supplier for repair.

Please be aware that if your product is capable of retaining user-generated data (such as files stored on a computer hard drive, telephone numbers stored on a mobile telephone, songs stored on a portable media player, games saved on a games console or files stored on a USB memory stick) during the process of repair, some or all of your stored data may be lost.

**We recommend you save this data elsewhere prior to sending the product for repair.**

You should also be aware that rather than repairing goods, we may replace them with refurbished goods of the same type or use refurbished parts in the repair process.

**Please be assured though, refurbished parts or replacements are only used where they meet ALDI's stringent quality specifications.**

If at any time you feel your repair is being handled unsatisfactorily, you may escalate your complaint. Please telephone us on 1300 855 831 or write to us at:

RossMac Pty. Ltd.

P.O. Box 261, Essendon North, Victoria, 3041

1300 855 831

[support@schepach.com.au](mailto:support@schepach.com.au)