



User Manual

Contents

- Overview04
- Utilisation05
- Pack contents/parts06
- Explanation of symbols08
- Introduction09
- Layout10
- Scope of delivery10
- Intended use11
- Safety regulations11
- Technical data17
- Assembly19
- Before operation20
- Operation21
- Maintenance and cleaning23
- Troubleshooting.....23
- Storage and transport24
- Disposal and recycling24
- Warranty Details25
- Repair and Refurbished Goods or Parts Notice26



HIGH PRESSURE CLEANER 1400W HCE1400

AUS



Original instructions

Vers.No. 180406

CAUTION: Read the instructions before using the machine

ALDI guarantees that our exclusive brand products are developed to our stringent quality specifications. If you are not entirely satisfied with this product, please return it to your nearest ALDI store within 60 days from the date of purchase for a full refund or replacement, or take advantage of our after sales support by calling the supplier's Customer Service Hotline.

Made in China
WORKZONE® is a registered trademark of ALDI Stores
DISTRIBUTED BY:
ALDI STORES
1 SARGENTS ROAD
MINCHINBURY NSW 2770
www.aldi.com.au

AFTER SALES SUPPORT

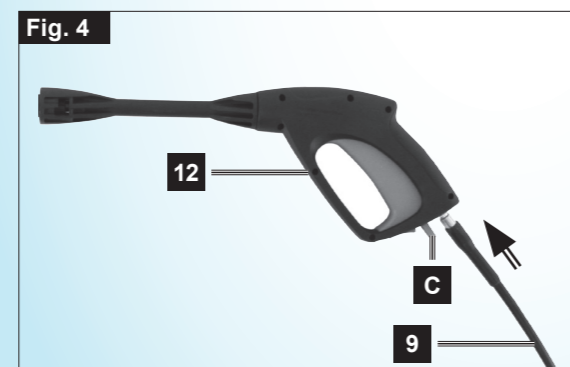
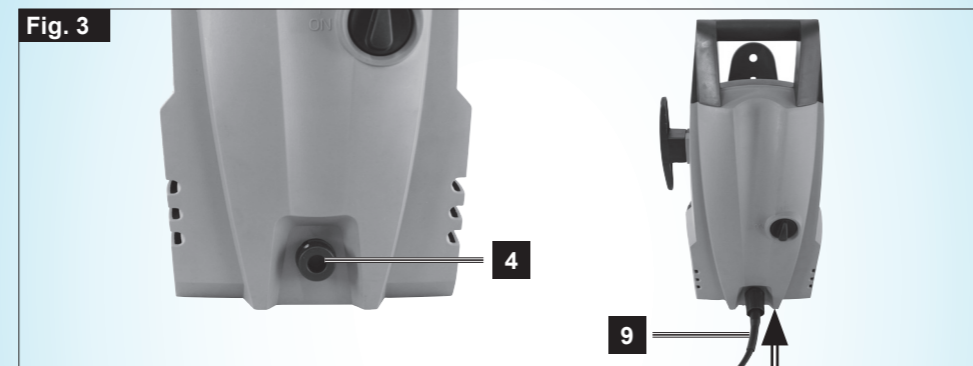
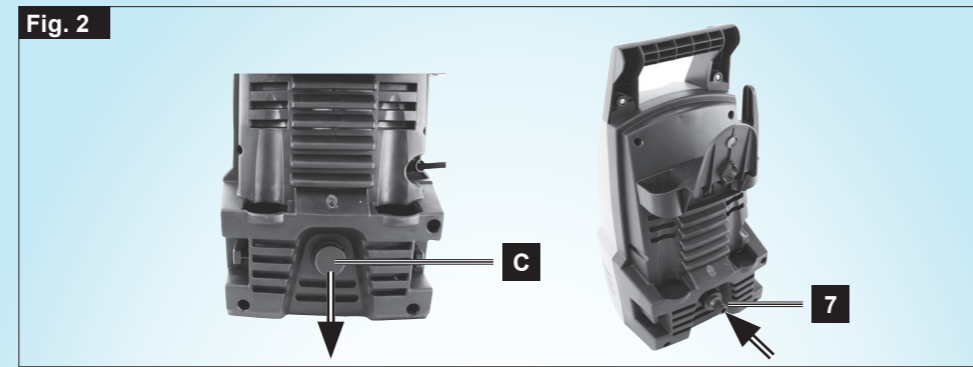


AUS 1300 855 831 support@scheppach.com.au

MODEL: HCE1400 PRODUCT CODE: 58428 11/2018

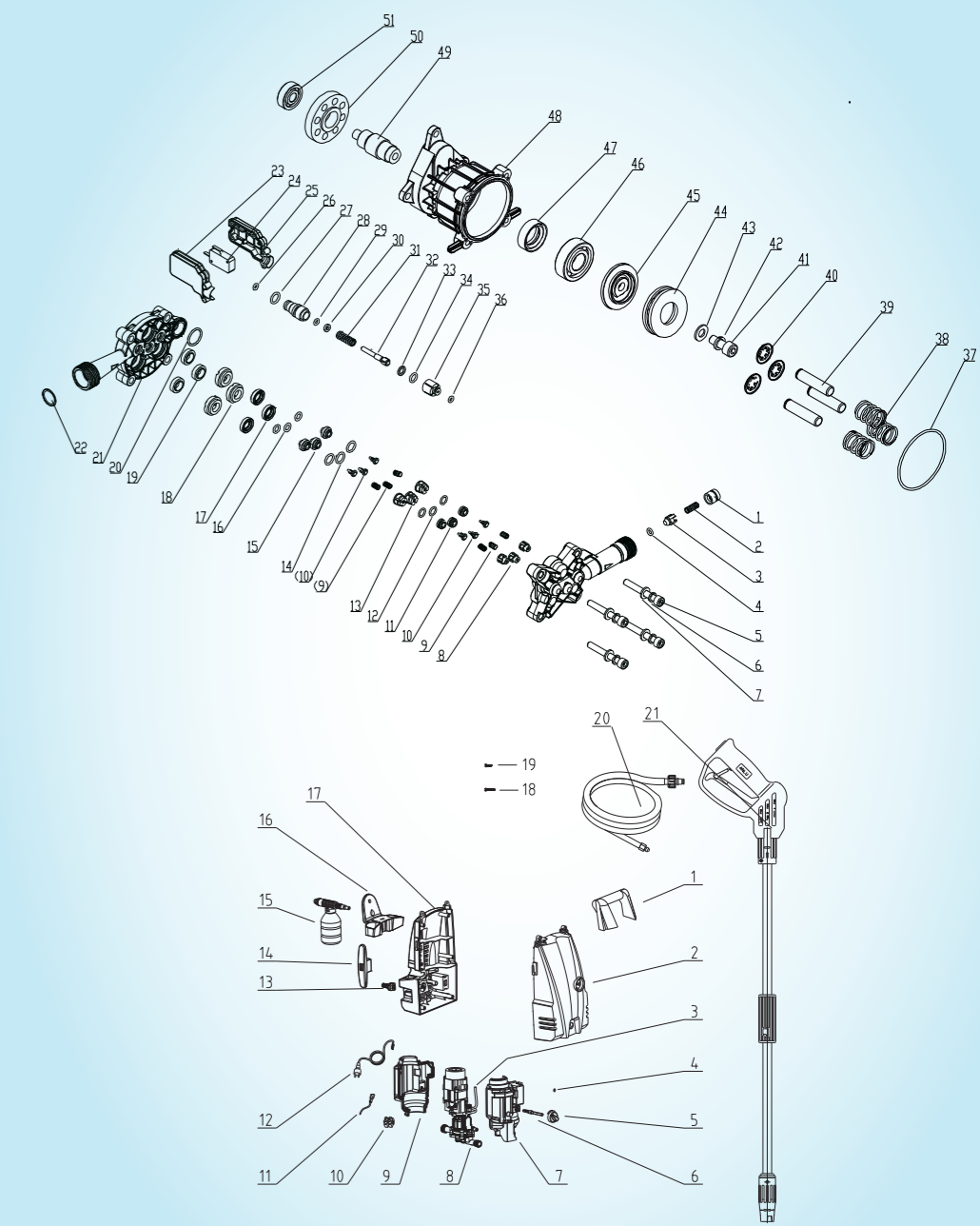
3

YEAR WARRANTY



Contents of Box

- 1 x High pressure cleaner
- 1 x Water inlet connector
- 1 x 3m High pressure hose
- 1 x Vario spray nozzle (already mounted to the extension handle)
- 1 x Extension handle
- 1 x Spray gun
- 1 x Patio cleaner
- 1 x Cleaning agent container
- 2 x Mounting screws
- 1 x Nozzle cleaning needle
- 1 x Instruction manual
- 1 x Warranty certificate

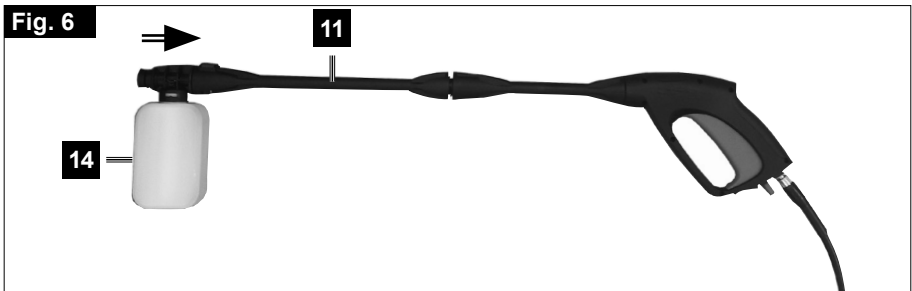
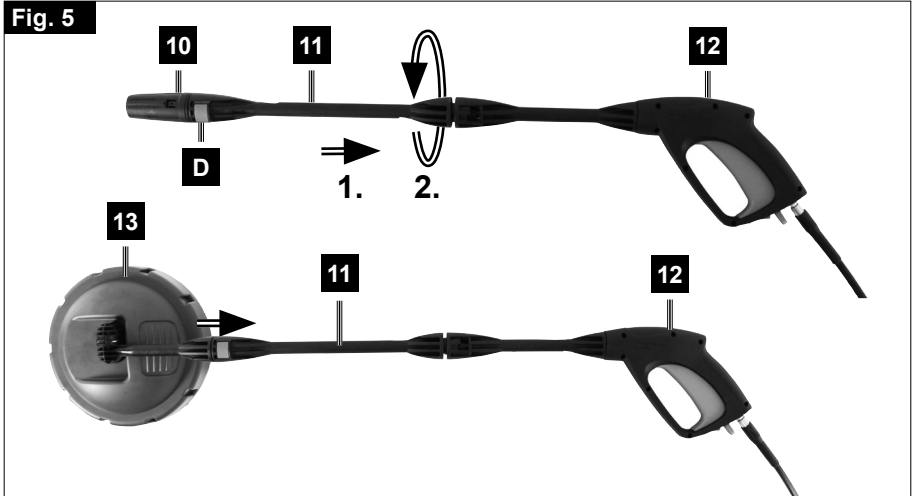


AFTER SALES SUPPORT

support@schepach.com.au

AUS 1300 855 831

MODEL: HCE1400 PRODUCT CODE: 58428 11/2018



Explanation of Symbols



Read the operating instructions to reduce the risk of injury.



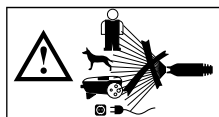
Wear safety goggles.



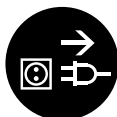
Wear ear-muffs. The impact of noise can cause damage to hearing.



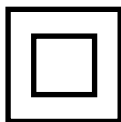
This high pressure cleaner is not suitable for connecting to the drinking water network.



Warning! High-pressure jets can be dangerous if not used properly. Do not direct the jet at persons, animals, live electrical equipment or the pressure cleaner itself.



Warning! Before installation, cleaning, alterations, maintenance, storage and transport switch off the high pressure cleaner and disconnect it from the power supply.



Class II symbol: This high pressure cleaner is designed with dual insulation and does not need to be connected to an earthed power socket.

⚠ Attention!

Contents that provide information concerning your safety

⚠ Caution!

Failure to follow these instructions may cause risk of injury!

⚠ Warning!

Failure to follow these instructions may cause danger to life or danger of serious injuries!

I. Introduction

Congratulations on choosing to buy a WORKZONE® product.

All products brought to you by WORKZONE® are manufactured to the highest standards of performance and safety, and as part of our philosophy of customer service and satisfaction, are backed by our comprehensive 3 Year Warranty.

We hope you will enjoy using your purchase for many years to come.

Note:

According to the applicable product liability law, the manufacturer of this appliance is not liable for damages which arise on or in connection with this appliance in the case of:

- Improper handling,
- Non-compliance with the instructions for use,
- Repairs by third party and/or non-authorized skilled workers,
- Installation and replacement of non-original spare parts,
- Improper use,
- Failures of the electrical system due to the non-compliance with the electrical specifications and the Australian regulations.

Recommendations:

Read the entire text of the operating instructions prior to the assembly and operation of the high pressure cleaner.

These operating instructions are intended to make it easier for you to get familiar with your high pressure cleaner and utilise its intended possibilities of use.

The operating instructions contain important notes on how to work safely, properly and economically with your high pressure cleaner and how to avoid dangers, save repair costs, reduce downtime, and increase the reliability and working life of the high pressure cleaner.

In addition to the safety regulations contained herein, you must in any case comply with the applicable regulations of your country with respect to the operation of the high pressure cleaner.

Put the operating instructions in a clear plastic folder to protect them from dirt and humidity, and store them near the high pressure cleaner. The instructions must be read and carefully observed by each operator prior to starting the work. Only persons who have been trained in the use of the high pressure cleaner and have been informed on the related dangers and risks are allowed to use the high pressure cleaner. The required minimum age of 16 years must be met.

AFTER SALES SUPPORT

09

In addition to the safety notes contained in the present operating instructions and the special regulations of your country, the generally recognised technical rules for the operation of this high pressure cleaner must be observed.

II. Layout (Fig. 1)

- 1 Handle
- 2 Holder for mains cable
- 3 Mains cable
- 4 Connection for high pressure hose
- 5 On / off switch
- 6 Holder for spray gun
- 7 Water inlet connector
- 8 Holder for high pressure hose (mounting screws included in pack)
- 9 High pressure hose
- 10 Vario nozzle
- 11 Extension handle
- 12 Spray gun
- 13 Patio cleaner
- 14 Cleaning agent container
- 15 Nozzle cleaning needle

III. Scope of delivery

High pressure cleaner	(1x)
Water inlet connector	(1x)
3m High pressure hose	(1x)
Vario nozzle	(1x)
Extension handle	(1x)
Gun	(1x)
Patio cleaner	(1x)
Cleaning agent container	(1x)
Nozzle cleaning needle	(1x)
Mounting screws	(2x)
Instruction Manual	(1x)
Warranty Certificate	(1x)

- Open the packaging and take out the high pressure cleaner carefully.

- Remove the packaging material as well as the packaging and transport bracing (if available).
- Check that all contents are included.
- Check the high pressure cleaner and accessory parts for transport damage.
- If possible, store the packaging until the warranty period has expired.

⚠ Attention!

**The high pressure cleaner and packaging materials are not toys!
Children must not be allowed to play with plastic bags, film and small parts! There is a risk of swallowing and suffocation!**

IV. Intended use

The high pressure cleaner is designed to clean vehicles, machines, buildings, facades, etc. and is intended for private, domestic use.

The high pressure cleaner is to be used only for its prescribed purpose. Any other use is deemed to be a case of misuse. The user / operator and not the manufacturer will be liable for any damage or injuries of any kind caused as a result of this.

Please note that the high pressure cleaner has not been designed for use in commercial, trade or industrial applications. Our warranty will be voided if the high pressure cleaner is used in commercial, trade or industrial businesses or for equivalent purposes.

This high pressure cleaner is not allowed to be used by persons (including children) with reduced physical, sensory or mental capacities or those with a lack of experience and knowledge.

V. Safety regulations

General power tool safety warnings and personal safety

⚠ Caution! Read all safety regulations and instructions. Failure to follow the warnings and instructions may result in electric shock, fire and/or serious injury. Save all warnings and instructions for future reference.

The term “power tool” in the warnings refers to your mains-operated (corded) power tool or battery-operated (cordless) power tool.

1. Work area safety

- Keep work area clean and well lit. Cluttered or dark areas invite accidents.
- Do not operate power tools in explosive atmospheres, such as in the presence of flammable liquids, gases or dust. Power tools create sparks which may ignite the dust or fumes.

AFTER SALES SUPPORT

- Keep children and bystanders away while operating a power tool. Distractions can cause you to lose control.

2. Electrical safety

- Power tool plugs must match the outlet. Never modify the plug in any way. Do not use any adapter plugs with earthed (grounded) power tools. Unmodified plugs and matching outlets will reduce risk of electric shock.
- Avoid body contact with earthed or grounded surfaces, such as pipes, radiators, ranges and refrigerators. There is an increased risk of electric shock if your body is earthed or grounded. Do not expose power tools to rain or wet conditions. Water entering a power tool will increase the risk of electric shock.
- Do not abuse the cord. Never use the cord for carrying, pulling or unplugging the power tool. Keep cord away from heat, oil, sharp edges or moving parts. Damaged or entangled cords increase the risk of electric shock.
- When operating a power tool outdoors, use an extension cord suitable for outdoor use. Use of a cord suitable for outdoor use reduces the risk of electric shock.
- If operating a power tool in a damp location is unavoidable, use a residual current device (RCD) protected supply. Use of an RCD reduces the risk of electric shock.
- If the supply cord is damaged, it must be replaced by the manufacturer or its service agent in order to avoid a hazard.

3. Personal safety

- Stay alert, watch what you are doing and use common sense when operating a power tool. Do not use a power tool while you are tired or under the influence of drugs, alcohol or medication. A moment of inattention while operating power tools may result in serious personal injury.
- Use personal protective equipment. Always wear eye protection. Protective equipment such as a dust mask, non-skid safety shoes, hard hat, or hearing protection used for appropriate conditions will reduce personal injuries.
- Prevent unintentional starting. Ensure the switch is in the off-position before connecting to power source and/or battery pack, picking up or carrying the tool. Carrying power tools with your finger on the switch or energising power tools that have the switch on invites accidents.

- Remove any adjusting key or wrench before turning the power tool on. A wrench or a key left attached to a rotating part of the power tool may result in personal injury.
- Do not overreach. Keep proper footing and balance at all times. This enables better control of the power tool in unexpected situations.
- Dress properly. Do not wear loose clothing or jewellery. Keep your hair, clothing and gloves away from moving parts. Loose clothes, jewellery or long hair can be caught in moving parts.
- If devices are provided for the connection of dust extraction and collection facilities, ensure these are connected and properly used. Use of dust collection can reduce dust-related hazards.

4. Power tool use and care

- Do not force the power tool. Use the correct power tool for your application. The correct power tool will do the job better and safer at the rate for which it was designed.
- Do not use the power tool if the switch does not turn it on and off. Any power tool that cannot be controlled with the switch is dangerous and must be repaired.
- Disconnect the plug from the power source and/or the battery pack from the power tool before making any adjustments, changing accessories, or storing power tools. Such preventive safety measures reduce the risk of starting the power tool accidentally.
- Store idle power tools out of the reach of children and do not allow persons unfamiliar with the power tool or these instructions to operate the power tool. Power tools are dangerous in the hands of untrained users.
- Maintain power tools. Check for misalignment or binding of moving parts, breakage of parts and any other condition that may affect the power tool's operation. If damaged, have the power tool repaired before use. Many accidents are caused by poorly maintained power tools.
- Use the power tool, accessories and tool bits etc. in accordance with these instructions, taking into account the working conditions and the work to be performed. Use of the power tool for operations different from those intended could result in a hazardous situation.

⚠ Caution!
Residual risks

Even if you use this electric power tool in accordance with instructions, certain residual risks cannot be ruled out. The following hazards may arise in connection with the equipment's construction and layout:

1. Lung damage if no suitable protective dust mask is used.
2. Damage to hearing if no suitable ear protection is used.
3. Health damage caused by hand-arm vibrations if the equipment is used over a prolonged period or is not properly guided and maintained.

5. Service

- Have your power tool serviced by a qualified repair person using only identical replacement parts. This will ensure that the safety of the power tool is maintained.
- If the supply cord is damaged, it must be replaced by the manufacturer or its service agent in order to avoid a hazard.

Electrical safety:

⚠ Caution: to avoid accidents and injuries from electric shocks:

- The plug and socket of an extension cable must be water-tight!

⚠ Unsuitable extension cables can be dangerous as people can be harmed by an electric shock!

- Protect the electric plug connections against moisture.
- If there is a risk of flooding, fix the plug connections in an area that is safe from flooding.
- Ensure that the mains voltage matches the specifications on the rating plate.
- Connection to the mains must be carried out by an experienced electrician and meet the requirements of the Australian standards.
- The electrical installation shall be according to national wiring rules.
- The device must only be connected to a mains socket via a residual-current circuit

breaker (RCD) with a rated leakage current of not more than 30 mA. Fuse: at least 13 ampere.

- Before each use, check the high pressure cleaner, cable and plug for damage.
- If the power cable for this high pressure cleaner is damaged, it must be replaced by the manufacturer, a customer service agent of the same or a similarly qualified person in order to prevent hazards.
- Do not pull the plug from the socket by the cable. Protect the cable from heat, oil and sharp edges.
- Do not carry the high pressure cleaner by the cable.
- Use only extension cables that are protected from water spray and designed for outdoor use. Always fully unroll a cable drum before use. Check the cable for damage before every use.
- Before any work on the high pressure cleaner, during work breaks and in the case of non-use, remove the plug from the socket.
- Wear sturdy footwear to protect against electric shock.
- To protect against electric shock, operate the high pressure cleaner only in an upright position.

High pressure cleaner safety warnings

Risk of unsafe operation

- Unsafe operation of your high pressure cleaner could lead to serious injury or death to you or others.
- The spray gun/wand is a powerful cleaning tool that could look like a toy to a child.
- Reactive force of spray results in gun/lance movement, potentially causing the operator to slip, fall or misdirect the spray. Improper control of gun/wand can result in injuries to self, others and property damage.
- Become familiar with the operation and controls of the high pressure cleaner.
- Keep children away from the high pressure cleaner at all times.
- Never modify or remove the safety features of this high pressure cleaner.

AFTER SALES SUPPORT

- Do not operate the high pressure cleaner with missing, broken or unauthorised parts.
- Never leave wand unattended while the unit is running.
- Keep work area free of obstacles.
- Stand on stable surface and grip gun/lance firmly. Expect the gun to kick back when engaged
- Do not use flammable or explosive liquids such as gasoline, fuel oil, kerosene,-solvents or thinners. Pump should only be used with liquids compatible with water blaster component materials. Failure to follow to this warning can result in serious personal injury, death and/or property damage.
- Water high presser cleaner must be located on a solid level surface. An uneven surface / platform could cause the high pressure cleaner to tip or fall causing serious injury.

⚠ Warning! Do not use the appliance within range of persons unless they wear protective clothing.

⚠ Warning! High pressure jets can be dangerous if subject to misuse. The jet must not be directed at persons, live electrical equipment or the appliance itself.

⚠ Warning! Do not direct the jet against yourself or others in order to clean clothes or foot-wear.

⚠ Warning! To ensure appliance safety, use only original spare parts from the manufacturer or approved by the manufacturer.

⚠ Warning! High pressure hoses, fittings and couplings are important for the safety of the appliance. Use only hoses, fittings and couplings recommended by the manufacturer.

⚠ Warning! Do not use the appliance if a supply cord or important parts of the appliance are damaged, e.g. safety devices, high pressure hoses, trigger gun.

This high pressure cleaner is not intended for use by persons (including children) with reduced physical, sensory or mental capabilities, or lack of experience and knowledge.

⚠ Warning! Water that has flowed through backflow preventer is considered to be non-potable.

- Children must be supervised not to play with the high pressure cleaner.
- High pressure cleaners are not be used by children.

⚠ Warning! Do not use appliance without reading the instruction manual.

⚠ Warning! This high pressure cleaner has been designed for use with the cleaning agent supplied or recommended by the manufacturer. The use of other cleaning agents or chemicals may adversely affect the safety of the high pressure cleaner.

⚠ Warning! High pressure cleaners must not be used by children or untrained personnel.

⚠ Warning! Inadequate extension cords can be dangerous. If an extension cord is used, it must be suitable for outdoor use, and the connection has to be kept dry and off the ground. It is recommended to use a cord reel which keeps the socket at least 60 mm above the ground.

⚠ Warning! Ensure that any exhaust emissions are not in the vicinity of air intakes.

⚠ Warning! Always switch off the mains disconnecting switch when leaving the high pressure cleaner unattended.

⚠ Warning! During use of high pressure cleaners, aerosols may be formed. Inhalation of aerosols can be hazardous to health.

⚠ Warning! Depending on the application, shielded nozzles can be used for high pressure cleaning, which will reduce the emission of hydrous aerosols dramatically. However, not all applications allow the use of such a device. If shielded nozzles are not applicable for the protection against aerosols, a respiratory mask of class FFP2 or equivalent may be needed, depending on the cleaning environment.

VI. Technical data

Mains connection	230 - 240 V~ / 50 Hz
Power consumption	1400 W
Mains cable length	approx. 5 m
High pressure hose length	3 m
Weight	approx. 6 kg
Safety class	II
Degree of protection	IPX5
Rated/operating pressure	7 MPa / 1015 PSI

AFTER SALES SUPPORT

Max. permissible pressure	10.5 MPa / 1523 PSI
Max. inflow pressure	0.4 MPa / 580 PSI
Inflow temperature	5 - 40 °C
Working flow rate, water	5 L/min
Max. working flow rate, water	6.2 L/min

Noise and Vibration

Sound pressure level (L_{pA})	83 dB(A)
Uncertainty K_{pA}	3 dB(A)
Sound power level (L_{WA}):	96 dB(A)
Uncertainty K_{WA}	3 dB(A)
Vibration (a_n).	< 2.5 m/s ²

Wear ear-muffs.

The impact of noise can cause damage to hearing.

Sound and vibration values were measured with a standardised testing method.

The specified vibration value was established in accordance with a standardised testing method. It may change according to how the electric high pressure cleaner is used and may exceed the specified value in exceptional circumstances.


The specified vibration value can be used to compare the high pressure cleaner with other electric power tools.

The specified vibration value can be used for initial assessment of a harmful effect.

Keep the noise emissions and vibrations to a minimum:

- Only use appliances which are in perfect working order.
- Service and clean the appliance regularly.
- Adapt your working style to suit the appliance.
- Do not overload the appliance.
- Have the appliance serviced whenever necessary.
- Switch the appliance off when it is not in use.
- Wear protective gloves.

VII. Assembly

 **Warning! Ensure the high pressure cleaner is correctly and completely assembled before use.**

Mounting of the handle, holder for mains cable and holder for high pressure hose (Fig.1)

- 1 Mount the handle (1) onto the upper side of the high pressure cleaner and fix it with the two delivered screws by using a screwdriver (not included).
- 2 Slide the holder for mains cable (2) onto the connection at the side of the high pressure cleaner.
- 3 Push the holder for high pressure hose (8) onto the connection at the back side of the high pressure cleaner.

Mounting of the water inlet connector (Fig.2)

- 1 Remove the black cap (C) from the back side of the high pressure cleaner.
- 2 Mount the water inlet connector (7) at the back side of the high pressure cleaner.

Mounting of the high pressure hose (Fig.3)

- 1 Remove the black cap from connection for high pressure hose (4).
- 2 Connect the high pressure hose (9) with the connection for high pressure hose (4).

Mounting of the high pressure hose and the gun (Fig.4)

- 1 Plug the high pressure hose (9) into the gun (12).
- 2 For removal of the high pressure hose (9), push the lever (C) and pull out the high pressure hose (9).

Mounting of extension with vario nozzle or patio cleaner (Fig.5)

- 1 Plug the extension (11) with the vario nozzle (10) into the gun (12) and twist it.
- 2 For mounting the patio cleaner (13), press the button (D) and remove the vario nozzle (10). Then plug in the patio cleaner (13).

AFTER SALES SUPPORT

Connection of the cleaning agent container (Fig.6)

- 1 Remove the vario nozzle (10) or patio cleaner (13) from the extension (11).
- 2 Plug the cleaning agent container into the extension (11).

VIII. Before operation

It is recommend for the power supply to this high pressure cleaner either to be connected via a residual current device (RCD) circuit-breaker, which interrupts the power flow as soon as the leakage current to earth exceeds 30 mA for 30 ms, or for it to be equipped with an earth tester.

Before you connect the high pressure cleaner to the mains supply make sure that the data on the rating plate is identical to the mains power supply. **Warning! Always disconnect the power plug before making adjustments to the high pressure cleaner**

Using the high pressure cleaner correctly

- The high pressure cleaner must be placed on an even, stable surface.
- It is recommended that you adopt the correct operating position every time you use the high pressure cleaner with one hand on the gun and the other on the lance.
- Never direct the water jet at electrical lines or the high pressure cleaner itself.
- Never use the high pressure cleaner in potentially explosive areas under any circumstances!
- The water inflow temperature must be between +5°C and + 40°C.
- Do not cover or modify the lance or the spray nozzles in any way.
- The high pressure cleaner is designed to be used with cold or lukewarm water (max. 20°C); higher temperatures can damage the high pressure cleaner.
- Do not use water that is dirty, gritty or contains any chemical products, as these could impair operation and shorten the life of the high pressure cleaner.

⚠ Warning! Risk of explosion Do not spray flammable liquids.

⚠ Warning!

Water that has passed through the non-return valve is not drinkable.

⚠ Warning!

If any cleaning agent comes into contact with your skin or into your eye, rinse immediately with lots of clean water. Then consult a doctor or follow the steps described on the safety data sheet or provided by the manufacturer of the cleaning agent.

Water inlet connector (Fig. 1&2)

The water inlet connector (7) has a standard hose coupling system. Plug the hose coupling of the supply hose (min. Ø 1/2"/13 mm) to the water inlet connector (7).

Always use a reinforced hose with a standard coupling for the water inlet. The hose should be at least 6m in length (not supplied).

A backflow preventer must be installed between the drinking water and the high pressure cleaner! Ask your local plumber about this.

Electrical connections

- Before you connect the high pressure cleaner to the power supply make sure that the data on the rating plate is identical to the supply voltage.
- If you use any extension cables, make sure that they are suitable for outdoor use and have large enough wires:
 - 1 – 10 m: 1.5 mm²
 - 10-30 m: 2.5 mm²
- Insert the power plug on the power cable into the socket outlet.

IX. Operation

⚠ Warning! Be prepared for the recoil force of the emitted water jet! Ensure that you are standing firmly and that you are holding the gun (12) securely, otherwise you could injure yourself or other people.

Never operate the high pressure cleaner with a closed water tap. Dry running will damage the high pressure cleaner!

Using the spray gun (Fig. 4)

- 1 Turn on the water tap to full flow.
- 2 Switch on the high pressure cleaner with the On / Off switch (5). Only ever switch on the high pressure cleaner once you have connected all of the water pipes and confirmed they do not leak. The motor switches on until the required pressure has built up. After the pressure has built up, the motor switches off.

- 3 Press the security switch (B) to unlock the gun starting lever (A). The nozzle operates by pressure and the motor switches back on.
- 4 Releasing the gun starting lever (A) causes the high pressure cleaner to switch off. The system remains pressurised.
- 5 After using the high pressure cleaner press the security switch (B) to lock the gun starting lever.

Adjustment of the vario nozzle (Fig.5)

The vario nozzle (10) produces a flat wide jet particularly suited for large surfaces. Turn the tip of the vario nozzle (10) left to reduce the width of the jet. Turn the tip of the vario nozzle (10) right to expand the width of the jet.

Using cleaning agent (Fig. 6)

- 1 Fill the cleaning agent container (14) with suitable cleaning agent.
- 2 The cleaning agent will be added automatically in low-pressure mode.

Patio cleaner (Fig. 5)

The patio cleaner (13) is designed for splashproof pressure cleaning of floors and walls. Rotating nozzles ensure that cleaning is highly efficient.

- 1 Do not release water from the high pressure washer until the patio cleaner (13) rests on the surface you are cleaning.
- 2 Always hold the patio cleaner (13) by both hands when washing down walls.
- 3 Avoid the patio cleaner (13) going over free corners.
- 4 The patio cleaner (13) is not designed for scouring out or scrubbing.

After use

1. Turn off the water supply
1. Switch off the high pressure cleaner.
2. Disconnect the high pressure cleaner from power supply.
3. Let the high pressure cleaner cool down.
4. Disconnect the high pressure cleaner from water supply and disassemble it.
5. Check after each use if the high pressure cleaner is damaged.

X. Maintenance and cleaning

Pull out the power plug before every maintenance operation. This also includes connecting to the water supply or trying to eliminate leaks. There is a risk of electrocution or of injury from moving parts.

Cleaning

It is recommended to clean the high pressure cleaner after each use. Never direct the water jet against the high pressure cleaner, nor clean the high pressure cleaner under flowing water. This could give rise to the danger of electric shock and damage the high pressure cleaner!

Always keep the high pressure cleaner clean. Do not use any detergents or solvents.

- Always keep the ventilation slots clean and free from dirt and dust.
- Only clean the high pressure cleaner with a soft brush or a slightly moist cloth.
- If the vario nozzle (10) is soiled or blocked, you can remove any foreign bodies in the nozzle using the nozzle cleaning needle (15).

Maintenance

The high pressure cleaner is maintenance free.

XI. Troubleshooting

Problem	Possible Cause	Action
The high pressure cleaner does not work.	No electrical voltage at the high pressure cleaner.	Check the fuse, power cable and power plug and have them replaced by qualified personnel if necessary.
	The cross section of the extension cable is not large enough and/or the extension cable is too long.	Use extension cables with larger cross sections and/or use shorter extension cables.
	The mains voltage is lower than that specified.	Contact the power supply company if necessary.
	The high pressure cleaner is frozen.	Check and thaw if necessary.
The motor starts but there is no pressure build-up.	Air intake in the water inlet.	Check the supply hose and hose connectors and replace if necessary.
	Insufficient water supply	Turn the water supply to full flow
The operating pressure is irregular.	Air intake in the water inlet.	Check the supply hose and hose connectors and replace if necessary.

AFTER SALES SUPPORT

23

XII. Storage and transport

Storage

- Clean up the high pressure cleaner before storing.
- Drain all the water from the high pressure cleaner.
- Disconnect the unit from the water supply.
- Store all accessories as shown in Fig. 7.
- Protect the high pressure cleaner and its accessories from frost when they have not been completely drained of all water.
- Protect the high pressure cleaner from dust.
- Ensure, that children cannot reach the high pressure cleaner.
- Store the pressure cleaner and its accessories in a frost-free room.

Transport

- Always lift or carry the high pressure cleaner using the handle.
- Secure the high pressure cleaner against shock or vibration during transport in vehicles.

XIII. Disposal and recycling

The equipment is supplied in packaging to prevent it from being damaged in transit. The raw materials in this packaging can be reused or recycled. The equipment and its accessories are made of various types of material, such as metal and plastic. Never place defective equipment in your household waste. The equipment should be taken to a suitable collection center for proper disposal.

If you do not know the whereabouts of such a collection point, you should ask in your local council offices.



WORKZONE®

HIGH PRESSURE CLEANER



Warranty Details

REGISTER YOUR PURCHASE AT www.aldi.com.au/en/about-aldi/product-registration/ TO KEEP UP-TO-DATE WITH IMPORTANT PRODUCT INFORMATION

The product is guaranteed to be free from defects in workmanship and parts for a period of 36 months from the date of purchase. Defects that occur within this warranty period, under normal use and care, will be repaired, replaced or refunded at our discretion. The benefits conferred by this warranty are in addition to all rights and remedies in respect of the product that the consumer has under the Competition and Consumer Act 2010 and similar state and territory laws.

Our goods come with guarantees that cannot be excluded under the Australian Consumer Law. You are entitled to a replacement or refund for a major failure and for compensation for any other reasonably foreseeable loss or damage. You are also entitled to have the goods repaired or replaced if the goods fail to be of acceptable quality and the failure does not amount to a major failure.

AFTER SALES SUPPORT

  **1300 855 831**

 support@scheppach.com.au
MODEL: HCE1400 PRODUCT CODE: 58428 11/2018





WORKZONE®

HIGH PRESSURE CLEANER

Repair and Refurbished Goods or Parts Notice

Unfortunately, from time to time, faulty products are manufactured which need to be returned to the Supplier for repair.

Please be aware that if your product is capable of retaining user-generated data (such as files stored on a computer hard drive, telephone numbers stored on a mobile telephone, songs stored on a portable media player, games saved on a games console or files stored on a USB memory stick) during the process of repair, some or all of your stored data may be lost.

We recommend you save this data elsewhere prior to sending the product for repair.

You should also be aware that rather than repairing goods, we may replace them with refurbished goods of the same type or use refurbished parts in the repair process.

Please be assured though, refurbished parts or replacements are only used where they meet ALDI's stringent quality specifications.

If at any time you feel your repair is being handled unsatisfactorily, you may escalate your complaint. Please telephone us on 1300 855 831 or write to us at:



RossMac Pty. Ltd.

P.O. Box 261, Essendon North, Victoria, 3041

1300 855 831

support@scheppach.com.au

AFTER SALES SUPPORT

  **1300 855 831**

 support@scheppach.com.au

MODEL:HCE1400 PRODUCT CODE: 58428 11/2018

3

YEAR WARRANTY