



# User Manual

## Contents



### HEDGE TRIMMER PETROL HTH250/240P



- Overview .....04
- Utilisation .....05
- Contents of box .....06
- Explanation of symbols .....07
- Introduction .....09
- Layout .....10
- Scope of delivery .....10
- Intended use .....11
- Safety information .....12
- Before starting the equipment .....16
- Attachment and operation .....18
- Working instructions .....20
- Maintenance cleaning and servicing .....23
- Technical data .....27
- Storage.....28
- Transport .....29
- Disposal and recycling .....30
- Troubleshooting .....31
- Warranty Details .....33
- Repair and Refurbished Goods or Parts Notice .....34

ALDI guarantees that our exclusive brand products are developed to our stringent quality specifications. If you are not entirely satisfied with this product, please return it to your nearest ALDI store within 60 days from the date of purchase for a full refund or replacement, or take advantage of our after sales support by calling the supplier's Customer Service Hotline.

**Made in China**  
 GARDENLINE is a registered trademark of ALDI Stores  
 DISTRIBUTED BY:  
 ALDI STORES  
 1 SARGENTS ROAD  
 MINCHINBURY NSW 2770  
 www.aldi.com.au

#### AFTER SALES SUPPORT



**AUS 1300 855 831**    **support@scheppach.com.au**

MODEL: HTH250/240P PRODUCT CODE: 59823    03/2018

# 5

YEAR WARRANTY

#### Original instructions

Vers.No. 171102



## Explanation of symbols

The use of symbols in this manual is intended to draw your attention to possible risks. The safety symbols and the explanations that accompany them must be perfectly understood. The warnings in themselves do not remove the risks and cannot replace correct actions for preventing accidents.



Read, understand and follow all warnings.



Read the complete user guide before using the appliance.



Wear work gloves.



Always wear non-skid safety shoes with cut protection when using this product.



Protect the tool from getting wet!



Pay attention! Hot surfaces.



Wear safety goggles!



Use hearing protection!



Attention! Risk of injury.



No open fire in the working area!



Guaranteed sound power level of the device.



Start lever (choke) 'cold start'



Start lever (choke) 'warm start and work'

## I. INTRODUCTION

Congratulations on choosing to buy a GARDENLINE® product.

All products brought to you by GARDENLINE® are manufactured to the highest standards of performance and safety, and as part of our philosophy of customer service and satisfaction, are backed by our comprehensive 5 Year Warranty.

We hope you will enjoy using your purchase for many years to come.

### **Note:**

According to the applicable product liability law the manufacturer of this device is not liable for damages which arise on or in connection with this device in case of:

- improper handling,
- non-compliance with the instructions for use,
- repairs by third party, non-authorised skilled workers,
- installation and replacement of non-original spare parts,
- improper use.

### **Recommendations:**

Read the entire text of the operating instructions prior to the assembly and operation of the device.

These operating instructions are intended to make it easier for you to get familiar with your device and utilise its intended possibilities of use.

The operating instructions contain important notes on how to work safely, properly and economically with your machine and how to avoid dangers, save repair costs, reduce downtime, and increase the reliability and working life of the machine.

In addition to the safety regulations contained herein, you must in any case comply with the applicable regulations of your country with respect to the operation of the machine.

Keep the operating instructions in a clear plastic folder to protect them from dirt and humidity, store them near the machine. The instructions should be read and carefully understood by each operator prior to using the machine. Only persons who have been trained in the use of the machine and are aware of the related dangers and risks should be allowed use the machine. The local required minimum age must be met.

In addition to the safety notes contained in these operating instructions and any specific regulations in your country, the generally recognised technical rules for the operation of identically constructed machines must be observed.

---

## AFTER SALES SUPPORT

## II. LAYOUT (Fig. 1&2)

- 1 Cutting device
- 2 Hand guard
- 3 Front handhold
- 4 Choke
- 5 Cranking rope with handle
- 6 ON/OFF switch
- 7 Throttle lock-out switch
- 8 Air filter cover
- 9 Wing screw
- 10 Zerk fitting (grease fitting)
- 11 Fuel pump
- 12 Fuel tank cap
- 13 Slider
- 14 Throttle trigger
- 15 Rear handle
- 16 Hexagon wrench 8/10mm
- 17 Allen key 4mm
- 18 Allen key 5mm
- 19 Spark plug spanner
- 20 Fuel mixing bottle
- 21 Spark plug connector

## III. SCOPE OF DELIVERY

Petrol Hedge trimmer	(1x)
Blade Guard	(2x)
Spark plug spanner	(1x)
Fuel mixing bottle	(1x)
Instruction manual	(1x)
Warranty card	(1x)
Allen key 4mm	(1x)
Allen key 5mm	(1x)
Open end wrench 8/10mm	(1x)

- Open the packaging and take out the equipment with care.
- Remove the packaging material.
- Check that all listed contents are present.
- Inspect the equipment and parts for any damage. Please contact the helpline if anything is missing.
- If possible, keep the packaging until the end of the guarantee period.
- Read the operating instructions fully to familiarise yourself with the tool prior to using it.
- Only use original accessories and spare parts. Spare parts are available by contacting the helpline.
- Specify the part numbers when you contact the helpline.

### **⚠ ATTENTION!**

**The device and packaging materials are not toys!**

**Children must not be allowed to play with plastic bags, film and small parts!**

**There is a risk of swallowing and suffocation!**

## **IV. INTENDED USE**

This hedge trimmer has been designed to cut soft, freshly grown hedge material. It is not suitable for cutting branches, tough wood or other material to be cut.

The machine has been designed to be operated by one person.

The hedge trimmer may be used only for cutting hedges, bushes and shrubs. Alternative use not specified in these instructions can damage the hedge trimmer or severely injure the user.

The machine is to be used only for its prescribed purpose. Any other use is deemed to be a case of misuse. The user / operator and not the manufacturer will be liable for any damage or injuries of any kind caused as a result of this.

Please note that our equipment has not been designed for use in commercial, trade or industrial applications. Our warranty will be voided if the machine is used in commercial, trade or industrial businesses or for equivalent purposes.

The operating instructions as supplied by the manufacturer must be followed at all

---

## **AFTER SALES SUPPORT**

 **AUS 1300 855 831**

 **support@schepach.com.au**

MODEL: HTH250/240P PRODUCT CODE: 59823 03/2018

times to ensure that the equipment is used properly. Any use which is not expressly permitted in the manual may result in damage to the equipment and place the user in serious danger. Observe the restrictions in the safety instructions.

**Non-permitted users:**

Persons who are not familiar with the operating manual, children, young people under the age of 18 as well as persons under the influence of alcohol, drugs or medication shall not be permitted to operate the unit.

**WARNING! For your own safety, please thoroughly read this manual and the general safety instructions before turning the device on. If you give the device to third parties, always include these instructions.**

## V. SAFETY INFORMATION

### Working Safely

Before starting this device, read and keep to the following advice. Also observe the safety provisions applicable in the respective country, in order to protect yourself and others from possible injury.

Repair works on the device must be carried out by the manufacturer or by companies appointed by the manufacturer respectively.

**Primary users**

Persons working for the first time with the hedge trimmer must obtain a practical instruction to the use of the hedge trimmer and the operator protection equipment by an experienced operating person.

- Be attentive. Be careful what you do. Behave sensibly when working. Do not use the device when you are tired or under the influence of drugs, alcohol or medication. One moment of carelessness when using the device can result in serious injuries.
- Make yourself familiar with the equipment before using it, by reading and understanding the operating instructions. Insufficiently informed operators may put at risk their own and the health of other persons.
- Do not use the machine for unsuitable purposes (see 'Intended use').
- Avoid abnormal posture. Provide a safe standing position and keep your balance at all times.

- Wear suitable work clothes:
  - Do not wear loose-fitting clothes or jewellery; they can catch in moving parts.
  - Gloves and slip-proof shoes
  - Hairnet in case of long hair
- Wear protective clothing:
  - ear protection
  - protective goggles or face protection
  - protective gloves
  - safety boots
  - certificated hardhat in situations where injuries to the head might be expected.
- We recommend to wear leg protection and a safety jacket.
- Keep your workplace in an orderly condition! Untidiness can result in accidents.
- Take into consideration environmental influences:
  - Do not expose the hedge trimmer to rain.
  - Do not use the hedge trimmer in a damp or wet environment.
  - Delay the work in case of disadvantageous weather (rain, snow, ice, wind) – increased risk of accidents!
  - Provide for good illumination.
  - Do not use the hedge trimmer near inflammable liquids or gases.
- Familiarize yourself with your environment and pay attention to possible dangers such as wires and power lines. Remember, you may not be able to hear because of the motor noise.
- Never leave the hedge trimmer unattended.
- For breaks the hedge trimmer has to be put down in such a manner that no person will be endangered. Assure the hedge trimmer against unauthorised access.
- Persons under the age of 18 must not operate the device.
- Keep other persons away.
- The operator is responsible for accidents or risks which occur to other persons or their properties.
- The operator is responsible to third persons within the area of operations.
- Keep children away.
- Do not allow other persons, especially children, to touch the tool or motor. Keep them away from your working area.
- Do not use a blunt, broken or otherwise damaged cutting device.
- Be sure that the cutting device is moving before you start cutting.
- Do not overload the machine! You work better and safer in the given performance range.
- Only operate the machine with complete and correctly attached safety equipment

---

## AFTER SALES SUPPORT

13



and do not alter anything on the machine that could impair the safety.

- Do not modify the device or parts of the device respectively.
- Do not use any blades which do not comply with the indicated characteristics of this instruction manual.

**The use of other tools and other accessories can signify a risk of injury for you.**

If the cutting mechanism strikes any foreign object or the hedge trimmer starts making any unusual noise or vibration, shut off the power source and allow the hedge trimmer to stop. Disconnect the spark plug wire from the spark plug and take the following steps:

- inspect for damage;
- check for, and tighten, any loose parts;
- have any damaged parts replaced or repaired with parts having equivalent specifications
  - carrying out repair works
  - maintenance and cleaning
  - carrying out servicing and repair works, removal of faults (including jammed blades)
  - transport and storage
  - leaving the hedge trimmer (also for short-term interruptions)
- Maintain your hedge trimmer with care:
  - Keep your tools sharp and clean in order to be able to work better and safer.
  - Keep handles dry and free of oil and grease.
  - Follow the maintenance instructions.
- Check the machine for possible damage:
  - Before continuing to use the machine, the protective devices must be inspected to ensure that they work perfectly and with their intended function.
  - Check whether the movable parts function perfectly and do not stick or whether the parts are damaged. All parts must be correctly installed and fulfil all conditions to ensure perfect operation of the hedge trimmer.
  - Damaged guards and parts must be properly repaired or exchanged by a recognized, specialist workshop; insofar as nothing else is stated in the instructions for use.
  - Damaged or illegible safety labels should be replaced immediately.
- Do not allow any tool key to be plugged in! Before switching on, check always that wrenches and adjusting tools are removed.
- Store unused equipment in a dry, locked place out of the reach of children.
- Do not repair the device unless you are qualified for such kind of work. Do not

carry out repair operations on the machine other than those described in section 'Maintenance' but contact the manufacturer or authorized customer service centres.

Use only original spare parts. Accidents can arise for the user through the use of other spare parts. The manufacturer is not liable for any damage or injury resulting from such action.

### Safe handling of fuels

Fuels and fuel vapours are flammable and may cause serious injury on the skin or when inhaled. Therefore be careful and provide sufficient ventilation when handling with fuels.

- Stop the engine and allow the device to cool down before fuelling it.
- Do not smoke and avoid open flames when fuelling.
- Wear gloves when fuelling.
- Never refuel or drain the tank indoors.
- Avoid spilling of fuel or oil. Clean the hedge trimmer immediately when you have spilled fuel or oil. Change your clothes immediately when you have spilled fuel or oil on them.
- Make sure that no fuel can come into the soil.
- Carefully close the tank cap after fuelling and check that it does not get loose during operation.
- Check that there is no leakage on the tank cap and fuel lines. If there are leaks this device may not be started. Go away at least three metres from the fuelling place to start the device.
- Only transport and store fuels in containers approved and identified for this.
- Keep children away from fuels.
- Never store the hedge trimmer or fuel container inside where there is an open flame, such as near a water heater.
- To reduce the fire risk keep the motor and silencer free from cutting remainders, leaves and lubricants.

### Residual risks

Even if used properly, residual risks can exist even if the relevant safety regulations are complied with due to the nature of the product.

Residual risks can be minimised if the 'Safety information' and the 'Intended use' as well as the whole of the operating instructions are observed.

Observing these instructions, and taking proper care, will reduce the risk of personal injury or damage to the equipment.

---

## AFTER SALES SUPPORT

- Injury by catapulted parts.
- Breaking or catapulting of blade pieces.
- Burning when touching hot parts.
- Impairment of hearing when working on the machine for longer periods of time without ear protection.

**In addition, in spite of all the precautionary measures taken, non-obvious residual risks can still exist.**

**Store all safety notices and instructions for the future.**

## **VI. BEFORE STARTING THE EQUIPMENT**

The hedge trimmer is supplied without fuel.

Fuel the hedge trimmer as described under 'Fuelling'.

### **Fuelling**

- This device is operated by a mixture from regular petrol (unleaded) and two-stroke engine oil.

**Utmost care is required when handling fuel and oil. Keep away smoke and open flames (risk of explosion).**

### **Petrol**

Petrol: Octane number at least 91 RON unleaded

- Do not fill in leaded petrol, diesel or other non-approved fuels.
- Do not use petrol having a smaller octane number than 91 RON. This may lead to severe engine damages due to increased engine temperatures.
- If you frequently operate the device at high speeds, you should use petrol with a higher octane number.
- The use of unleaded petrol is recommended for environment protection reasons.

### **Two-stroke engine oil:**

according to JASO FC or ISO EGD specifications

**Do not use**

- four-stroke oil or two-stroke oil for water-cooled outboard engines
- mixtures ready for use from petrol stations

**Mixing**

Ratio of mixture: 40:1

Petrol Two-stroke engine oil 2.5% (40:1)

1 litres / 0.025 litres

2 litres / 0.05 litres

5 litres / 0.125 litres

10 litres / 0.25 litres

- Measure the oil quantity accurately as a small deviation of it has a large effect on the ratio of mixture in particular for small fuel quantities.
- Do not change the ratio of mixture. This will lead to more residues of combustion, a higher fuel consumption, a decrease of output or damages to the engine.

Mix petrol and oil in a clean container approved for petrol and appropriately identified. Use a fuel container with overfill protection.

1. At first fill in half the quantity of petrol to be mixed.
2. Then fill in the total amount of oil.
3. Shake the fuel mixture.
4. Fill in the remaining quantity of petrol.

Fuels have only a limited shelf-life, they are subject to ageing. Outdated fuels and fuel mixtures may result in starting problems. Therefore, mix only that quantity of fuel which you can use within a month. Only store fuels in containers approved and identified for this. Keep fuel containers in a dry and safe area.

**Make sure that fuel containers are kept out of the reach for children.**

**Caution!** Prior to starting the machine learn how to put it out of action in emergency cases.

**Fuelling the hedge trimmer (Fig. 1)**

- Stop the engine and allow it to cool down.
- Wear protective gloves.
- Avoid eye and skin contact.
- Strictly follow the instructions under 'Safe handling with fuels'.
  1. Only fuel the hedge trimmer in the open or in sufficiently ventilated rooms.
  2. Clean the area around the filler neck. Contamination in the tank may result in malfunction.
  3. Shake the container once more before pouring the fuel mixture into the tank.
  4. Carefully open the fuel tank cap (12) to allow possible overpressure to release.
  5. Carefully fill the fuel mixture up to the lower edge of the filler neck.
  6. Close the fuel tank cap (12). Check that the fuel tank cap (12) is tight.
  7. Clean the fuel tank cap (12) and the area around it.
  8. Check the tank and the fuel lines for leaks.
  9. Operate the fuel pump (11) if required.
  10. Before starting the engine move at least three metres away from the fuelling place.

**VII. ATTACHMENT AND OPERATION**

You may not start to operate the machine until you have read these operating instructions, observed all the instructions given and completely and properly assembled the machine!

- Make sure that the ON/OFF switch (6), the throttle lock-out switch (7) and the throttle trigger (14) function perfectly. (Fig. 1)
- This hedge trimmer is only allowed to be started after it is completely assembled.
- Support the hedge trimmer when starting and hold it firmly. Make sure that the cutting device can move freely.

**To start the hedge trimmer:**

1. Keep a safe distance to flammable materials.
2. Have a safe standing position.
3. Place the hedge trimmer on the ground in front of you, with the cutting device pointing away from your body.
4. Put your right foot tip in the rear handle.
5. Hold the front handle with your left hand.

**Starting with cold engine (Fig. 1)**

1. Slide the ON/OFF switch (6) to the position 'I'.
2. Carefully press on the fuel pump (11) several times until fuel comes into the pump.
3. Slide the choke (4) to 'cold start'.
4. Slowly pull the cranking rope with its handle (5) until you feel a resistance.
5. Pull the cranking rope quickly and then guide it back slowly. Do not fully pull out the cranking rope and do not allow the cranking handle to strike against the engine.
6. When the engine starts slide the choke (4) to 'warm start and work'.
7. Allow the device to warm up for approx. 1 minute before starting the work.

**Stopping the engine (Fig. 1)**

1. Release the throttle trigger (14).
2. Slide the ON/OFF switch (6) to the '0' position.

**Starting with warm engine (Fig. 1)**

1. Slide the ON/OFF switch (6) to the position 'I'.
2. Slide the choke lever (4) to 'warm start and work'.
3. Hold the cranking handle (5) and pull the cranking rope until the engine starts.

**Throttle lock-out switch (Fig. 1)**

1. Hold the hedge trimmer on its rear handle (15) and press the throttle lock-out switch (7).
2. Hold the front handhold (3) with your other hand.
3. Press the throttle trigger (14).
4. The cutting device will start moving.

- If you release the throttle trigger, the cutting device will stop and the engine will idle.

If the cutting device runs in spite of non-pressed throttle trigger, you have to reduce the idle speed. (See 'Maintenance'.)

## Adjustments on the hedge trimmer

### Adjusting the rear handle. (Fig. 1)

To make working with the hedge trimmer easier it is possible to choose one of the 3 working positions of the rear handle (15).

- When adjusting the throttle trigger (14) can not be pressed.
1. Use your left hand to hold the hedge trimmer on its front handhold (3).
  2. Pull the slider (13) and turn the rear handle (15) to your desired position.
  3. Release the slider (13). Make sure that the unlocking device engages again and that the rear handle (15) is secured.

## VIII. WORKING INSTRUCTIONS

Carry out the following checks before starting and regularly during working with the hedge trimmer:

- Is the hedge trimmer assembled completely and properly? Check also that all nuts and screws are tightened. Screws on the cutting device: See 'Maintenance'.
- Is the hedge trimmer in good and safe condition? Do all safety devices properly work?
- Is the fuel tank filled?
- Is the cutting device undamaged and sharpened?
- Are engine and silencer free from deposits, leaves or emerging lubricants.
- Is handhold clean and dry – free of oil, grease and resin?
- Is workplace free of risks to stumble?
- Do you wear the required protective equipment?
- Did you read and understand all advices?
- Is the throttle trigger easy-running and functioning?
- Does the ON/OFF switch properly work?
- Does the cutting device always stop in idle mode?

If the cutting device moves during idling the idle speed must be reduced (see 'Adjusting the idle speed').

- Check that the gearbox is sufficiently lubricated (see 'Maintenance').

### General behaviour when working with the hedge trimmer

- Never work alone. Another person should stay close enough to hear calls for help.
- Keep children, bystanders and animals at a distance (15m min.) from your working

area.

- Do not work on snow, ice or other slippery ground – slip hazard.
- Do not work under insufficient light conditions (e.g. fog, rain, snow flurry or twilight).
- Scare animals off the hedge before starting to cut in order to prevent them from being injured.
- Provide for a safe and cleaned workplace. Remove from the working area objects which might be thrown off.
- Avoid abnormal posture. Keep your balance at all times. Do not work with the upper part of the body leaned forward.
- Operate the hedge trimmer only with safe standing position.
- Stop the hedge trimmer when moving to another work place.
- Keep hands and feet away from the cutting device when it moves.
- Hold the hedge trimmer so that you do not inhale exhaust gases. Do not work in closed rooms.
- Do not use the hedge trimmer to pick up or remove wood pieces or other objects.
- Remove unconditionally any foreign objects out of the hedge (e.g. wires) as these can damage the knives of the hedge trimmer.
- Hold the hedge trimmer always firmly with both hands, left hand on the front handhold and right hand on the rear handhold.
- The device will run for a short period after throttle trigger is released (free wheeling effect).
- Start trimming with the cutting device moving.
- Never touch the cutting device with your hands during operation.
- Never work
  - with stretched arms
  - on hardly accessible places
  - too far bent forward
- Never work with the hedge trimmer above shoulder height.
- Never allow the running cutting device to contact metallic fences or the ground.
- Stop the engine and pull the spark plug connector:
  - when you notice changes in the device's behaviour,
  - to remove jammed material,
  - to check the cutting device after it had contact with stones, nails or other hard objects,
  - to eliminate faults,
  - for work breaks,
  - before leaving the hedge trimmer.



- Do not place a hot hedge trimmer in dry grass or onto inflammable objects.
- Before starting your work make sure that:
  - no other persons or animals stay within the working area,
  - you can always step back without any barriers,
  - your standing area is free from foreign objects, brushwood and branches,
  - you have always a secure standing position.

If persons who have blood circulation problems are too often exposed to vibrations damages to the nervous system or to blood vessels may occur.

### **You can reduce vibrations**

- by thick and warm working gloves,
- shorter working time (have longer breaks).

See a doctor if your fingers swell, you don't feel well or your fingers become numb.

### **Working with the hedge trimmer**

Hold the hedge trimmer with both hands on a safe distance from the body.

- The maximal diameter to cut depends on the wood's type, age, moisture and hardness.
- Therefore cut very thick branches using branch shears to your desired length before trimming the hedge.
- Due to its double sided knives the hedge trimmer can be guided forward and backward or by oscillating movements from one to another side.
- At first cut the sides of the hedge and then the upper edge.
- Cut the hedge from the bottom up.
- Cut the hedge in trapezium shape.
- Stretch a guide over the complete length of the hedge when you want to shorten the upper edge of the hedge evenly.
- Trim in several passes if you have to cut down a large portion of the hedge.

### **Best time for hedge trimming:**

- Leaved hedge: June and October
- Conifer hedge: April and August
- Quickly growing hedge: from May and then every 6 weeks

Pay attention to breeding birds in the hedge. If so, put off hedge trimming or leave this area out.

At all times pay attention to all safety instructions.

## IX. MAINTENANCE, CLEANING AND SERVICING

### **Before each maintenance and cleaning work**

- Stop the engine.
- Wait until the cutting device stops moving.
- Stop the engine and pull off the spark plug connector (with the exception of idle speed adjustment).

### **Do not carry out maintenance work close to open flames. Risk of fire.**

Maintenance and repair work other than those described in this chapter is only allowed to be carried out by service staff.

### **For maintaining and cleaning, removed security devices must unconditionally be mounted properly and proved again.**

Use only original parts. Other parts can result in unexpected damages and injuries.

In order to avoid possible injuries wear gloves.

To guarantee a long and reliable usage of the hedge trimmer carry out the following maintenance works regularly.

### **Check the hedge trimmer for obvious defects such as**

- loose fastening elements
- worn or damaged components
- deformed, broken or damaged cutting device
- leaks from the fuel tank cap or fuel lines

### **Check the hedge trimmer after each application for**

- wear and tear, in particular sliding play of the cutting device
- correct assembly and faultless covers and protective devices.

Necessary repair or maintenance operations have to be carried out before the usage of the hedge trimmer.

### **Adjusting the cutting device (Fig. 3)**

Readjust the sliding play if cut material is clamped between the blades or the play

has increased due to normal wearing of the cutting device after a longer period of use.

To obtain good cutting results the free motion between the blades and the sword must be correctly adjusted.

For this proceed as follows:

1. Loosen the nuts (A) on the top surface of the cutting device with the open end wrench (16).
2. Slightly tighten the screws (B) on the underside with the allen key 4mm (17) (if required loosen them previously).
3. Turn the screw (B) back anticlockwise by a quarter up to a half turn.
4. Use the allen key 4mm (17) to hold the screw (B) and firmly tighten the nuts.

**The sliding play is correctly adjusted if the washer under the screw head can just be freely moved back and forth by hand.**

5. Lubricate the cutting device using environmental-compatible lubricating oil. If the play is too small, this may cause a great extent of heating and thus damage to the device.

### **Lubricating the gearbox (Fig. 1)**

Lubricate the gearbox every 10 to 20 operating hours.

1. Put the grease gun onto the zerk fitting (10).
2. Force some grease into the zerk fitting (10).

### **Adjusting the idle speed (Fig. 4)**

If the cutting device continues to run while the engine idles, you have to correct the idle speed.

1. Allow the engine to run warm for 3-5 minutes (no high speed).
2. Turn the adjusting screw (C):

#### **Clockwise**

- idle speed increases (+)

#### **Counterclockwise**

- idle speed decreases (-)

Contact the manufacturer if the cutting device still continues to run in idle mode.

Do not continue working with the hedge trimmer in such a condition.

**Cleaning / replacing the air filter (Fig. 5&6)**

Clean the air filter from dust and dirt on a regular basis to prevent

- starting problems,
- loss of output,
- too high fuel consumption.

Clean the air filter every 8 operating hours, or more frequently in dusty environments.

1. Put the choke (4) to 'cold start' to prevent dirt particles from coming into the carburettor.
2. Remove the air filter cover (8) by turning the wing screw (9) anticlockwise.
3. Remove the air filter (D).
4. Wash the air filter in a luke warm soapy solution. Do not blow out dirt particles, otherwise there is a risk of eye injury.
5. Clean the air filter interior using a brush.
6. Allow the air filter to dry well and reinsert it.
7. Re-mount the air filter cover (8).

Replace the air filter on a regular basis.

**Damaged air filters must be replaced without delay.**

**Cleaning/replacing the fuel filter (Fig. 7)**

Check the fuel filter (E) if required. A contaminated fuel filter restricts the fuel supply. Open the tank cap (12) and pull the fuel filter through the opening using a wire hook.

- Slight contamination:
  - Pull the fuel filter (E) from the fuel line and clean it in petroleum ether.
- Bad contamination:
  - Replace the fuel filter (E).

**Checking / replacing the spark plug (Fig. 8)**

Do not touch the spark plug (F) or the spark plug connector (21) when the engine runs. High voltage!

Risk of burning on the hot engine. Wear protective gloves.

**Check the spark plug and the spark gap on a regular basis. (Fig. 8)**

For this proceed as follows:

1. Pull the spark plug connector (21) from the spark plug (F).

2. Remove the spark plug (F) using the supplied spark plug spanner (19).

The spark gap must be 0.6 to 0.7 mm. (**Fig. 9**)

Clean the spark plug when it is contaminated.

Replace the spark plug:

- once a month if the device is often used
- when the insulating body is damaged,
- when the electrodes show excessive erosion,
- when the electrodes show excessive dirt or oil.

### **Checking the hand guard (Fig. 1)**

Check before each use, if the hand guard (2) is correctly fixed. Use the allen key 5mm (18) and the hexagon wrench (16) to tighten the hand guard (2).

### **Care**

Clean the hedge trimmer thoroughly after each application.

Wear protective gloves when cleaning the cutting device.

- Clean the case with a soft brush or a dry cloth. Water, solvents and polishing agents should not be applied.
- Check that the ventilation slots for the motor cooling are free (risk of overheating).
- Clean the cutting device on a regular basis using a brush or a cloth. Never clean the knives with water (Risk of corrosion!)
- Clean and oil all moving parts regularly.
- Never use any grease!
- Use for instance environmentally acceptable spray oil.

### **Maintenance schedule**

#### **Operation - Maintenance interval**

Adjust the cutting device if required

Adjust the idle speed if required

Tighten the silencer screws if required

Clean/replace the fuel filter if required

Clean/replace the air filter every 8 hours of operation

(more frequent in case of dusty environments)

Lubricate the gearbox every 20 hours of operation, at least once in a year

## X. TECHNICAL DATA

Engine Type	2 - stroke engine - air cooled
Capacity cm <sup>3</sup>	25.4
Engine power kW	0.7
Idle speed n <sub>0</sub> / min <sup>-1</sup>	3000±300
Max. Engine speed min <sup>-1</sup>	11500
Fuel tank capacity l	0.6
Mixing ratio (fuel / two-stroke oil)	40:1
Cutting length mm	600
Max. cutting thickness mm	27
Dimension L/W/H mm	1165/230/220
Sword length mm	780
Weight kg	6.4

Subject to technical changes!

### Wear ear-muffs.

The impact of noise can cause damage to hearing.

### Keep the noise emissions and vibrations to a minimum.

- Only use appliances which are in perfect working order.
- Service and clean the appliance regularly.
- Adapt your working style to suit the appliance.
- Do not overload the appliance.
- Have the appliance serviced whenever necessary.
- Switch the appliance off when it is not in use.
- Wear protective gloves.

### Sound and vibration

Sound pressure level L <sub>PA</sub>	99.6 dB(A)
Uncertainty K <sub>PA</sub>	3 dB(A)
Sound power level (measured) L <sub>WA</sub>	104.7 dB(A)
Sound power level (guaranteed) L <sub>WA</sub>	108 dB(A)
Uncertainty K <sub>WA</sub>	3 dB(A)

## AFTER SALES SUPPORT

<b>Vibration front handle <math>a_{hv}</math></b>	8.2 m/s <sup>2</sup>
<b>Vibration rear handle <math>a_{hv}</math></b>	5.6 m/s <sup>2</sup>
<b>Uncertainty <math>K_{hv}</math></b>	1.5 m/s <sup>2</sup>

## XI. STORAGE

### CAUTION

Never put the equipment into storage for longer than 30 days without carrying out the following steps.

**If you intend to store the equipment for longer than 30 days, it must be prepared accordingly.** Otherwise the fuel still remaining in the carburettor will evaporate and leave a rubbery sediment. This can cause problems when starting up the equipment and may require expensive repairs.

1. Slowly remove the fuel tank cap to release any pressure that may have formed in the tank. Carefully empty the tank of fuel.
2. To remove the fuel from the carburettor, start the engine and let it run until the equipment stops.
3. Leave the engine to cool (approx. 5 minutes).
4. Remove the spark plug. You will need the supplied combined spark plug wrench/screwdriver.
5. Add one teaspoon of 2-stroke engine oil into the combustion chamber.
6. Slowly pull the starter cord several times to apply a layer of oil to all internal parts. Refit the spark plug.

### Putting the equipment back into operation

1. Remove the spark plug.
2. Quickly tug on the starter line to remove excess oil from the combustion chamber.
3. Clean the spark plug and check that the electrode gap is correct, or insert a new spark plug with the correct electrode gap.
4. Prepare the equipment for operation.
5. Fill the fuel tank with the relevant mixture of fuel and oil.
6. Top up the chain oil in the chain oil tank.

Store unused devices with attached protective cover in a dry, locked place out of the reach of children.

**To extend the service life of the hedge trimmer and guarantee smooth operation, before storing for a longer period:**

Thoroughly clean the device.

Treat all movable parts with an environmentally friendly oil.

Never use any grease!

Slide the protective cover on the cutting device.

Remove the spark plug connector.

Empty the fuel tank completely.

Dispose of remaining fuel in an environmentally compatible manner.

Operate the engine until the carburettor is empty.

## XII. TRANSPORT

To transport the device stop the engine and wait until the cutting device stops moving. Attach the protective cover.

Carry the device with the front handle.

When transporting the device within a car put it in the boot or on a separate loading area. Secure the hedge trimmer against tipping over, damages and fuel spillage.

To transport the equipment, empty the petrol tank. Clean coarse dirt off the equipment with a brush or hand brush.



### **XIII. DISPOSAL AND RECYCLING**

The equipment is supplied in packaging to prevent it from being damaged in transit. The raw materials in this packaging can be reused or recycled. The equipment and its accessories are made of various types of material, such as metal and plastic. Never place defective equipment in your household refuse. The equipment should be taken to a suitable collection center for proper disposal. If you do not know the whereabouts of such a collection point, you should ask in your local council offices.

## XIV. TROUBLESHOOTING

The table below contains a list of fault symptoms and explains what you can do to remedy the problem if your equipment fails to work properly. If the problem still persists after working through the list, please contact your nearest service workshop.

### ⚠ IMPORTANT!

Hint in case of sending the equipment to a service centre:

Due to safety reasons please see to it that the equipment is sent back free of oil and petrol!

Fault	Possible cause	Remedy
Hedge trimmer does not work.	<ul style="list-style-type: none"> <li>No fuel supply</li> <li>Fault in the fuel line</li> <li>Fuel filter clogged</li> <li>Spark plug defective</li> <li>Carburettor defective</li> <li>Internal fault</li> </ul>	<ul style="list-style-type: none"> <li>Check the fuel quantity</li> <li>Check the fuel line for kinks or damages</li> <li>Clean/replace the fuel filter</li> <li>Replace the spark plug</li> <li>Manufacturer or responsible customer service must be called</li> <li>Manufacturer or responsible customer service must be called</li> </ul>
Hedge trimmer cuts with interruptions	<ul style="list-style-type: none"> <li>Internal fault.</li> <li>ON/OFF switch defective</li> </ul>	<ul style="list-style-type: none"> <li>Manufacturer or responsible customer service must be called</li> <li>Manufacturer or responsible customer service must be called</li> </ul>
Engine is running, cutting device does not move	<ul style="list-style-type: none"> <li>Cutting device blocked</li> <li>Internal fault</li> <li>Clutch defective</li> </ul>	<ul style="list-style-type: none"> <li>Remove object</li> <li>Manufacturer or responsible customer service must be called</li> <li>Manufacturer or responsible customer service must be called</li> </ul>
Cutting device gets hot	<ul style="list-style-type: none"> <li>Missing lubrication =&gt; friction</li> <li>Not enough play</li> <li>Cutting blades are blunt</li> </ul>	<ul style="list-style-type: none"> <li>Oil the cutting device</li> <li>Adjust the sliding play</li> <li>Have the cutting device sharpened</li> </ul>

**Service information**

Please note that the following parts of this product are subject to normal or natural wear and that the following parts are therefore also required for use as consumables.

Wear parts*	Knives protection, Knives, Spark plug, Air filter, Fuel filter
-------------	--

\* Not necessarily included in the scope of delivery!



## HEDGE TRIMMER PETROL

# Warranty Details

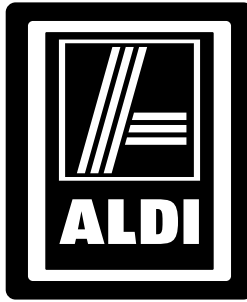
---

REGISTER YOUR PURCHASE AT [www.aldi.com.au/en/about-aldi/product-registration/](http://www.aldi.com.au/en/about-aldi/product-registration/) TO KEEP UP-TO-DATE WITH IMPORTANT PRODUCT INFORMATION

---

The product is guaranteed to be free from defects in workmanship and parts for a period of 60 months from the date of purchase. Defects that occur within this warranty period, under normal use and care, will be repaired, replaced or refunded at our discretion. The benefits conferred by this warranty are in addition to all rights and remedies in respect of the product that the consumer has under the Competition and Consumer Act 2010 and similar state and territory laws.

Our goods come with guarantees that cannot be excluded under the Australian Consumer Law. You are entitled to a replacement or refund for a major failure and for compensation for any other reasonably foreseeable loss or damage. You are also entitled to have the goods repaired or replaced if the goods fail to be of acceptable quality and the failure does not amount to a major failure.



HEDGE TRIMMER PETROL

# Repair and Refurbished Goods or Parts Notice

---

Unfortunately, from time to time, faulty products are manufactured which need to be returned to the Supplier for repair.

Please be aware that if your product is capable of retaining user-generated data (such as files stored on a computer hard drive, telephone numbers stored on a mobile telephone, songs stored on a portable media player, games saved on a games console or files stored on a USB memory stick) during the process of repair, some or all of your stored data may be lost.

**We recommend you save this data elsewhere prior to sending the product for repair.**

You should also be aware that rather than repairing goods, we may replace them with refurbished goods of the same type or use refurbished parts in the repair process.



**Please be assured though, refurbished parts or replacements are only used where they meet ALDI's stringent quality specifications.**

If at any time you feel your repair is being handled unsatisfactorily, you may escalate your complaint. Please telephone us on 1300 855 831 or write to us at:

RossMac Pty. Ltd.  
P.O. Box 261, Essendon North, Victoria, 3041  
1300 855 831  
[support@schepach.com.au](mailto:support@schepach.com.au)

---

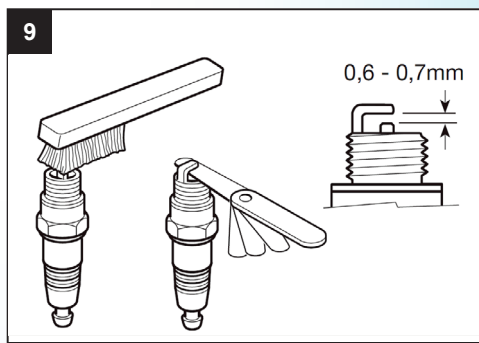
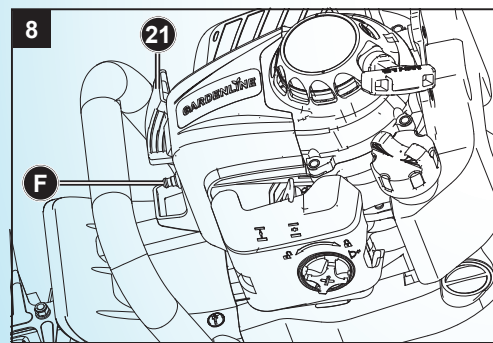
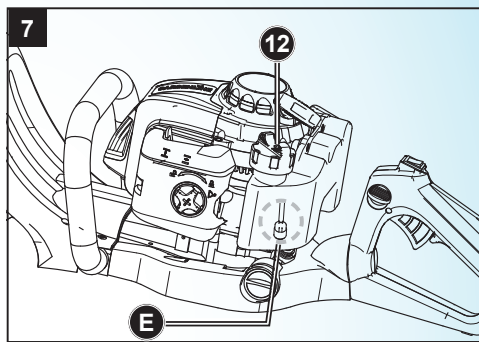
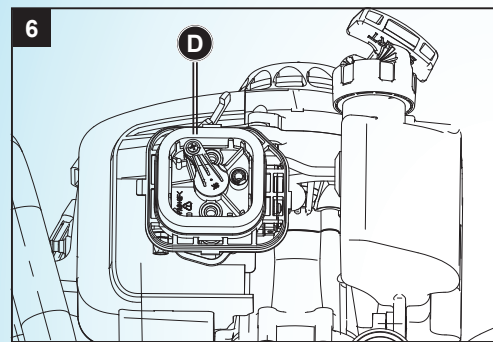
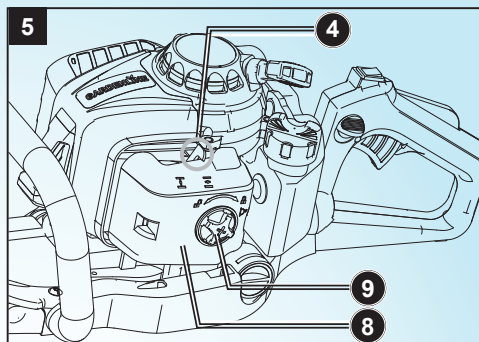
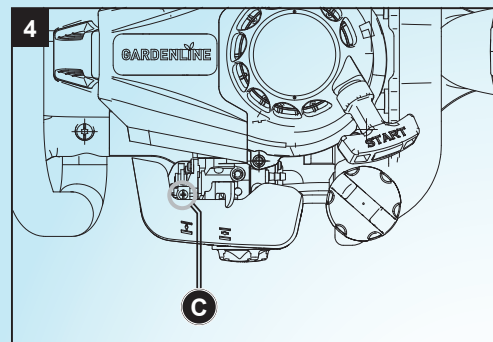
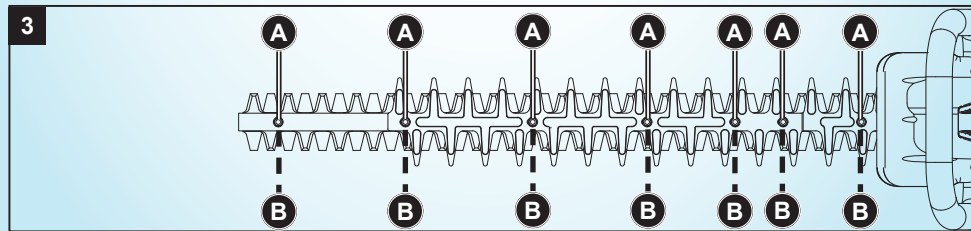
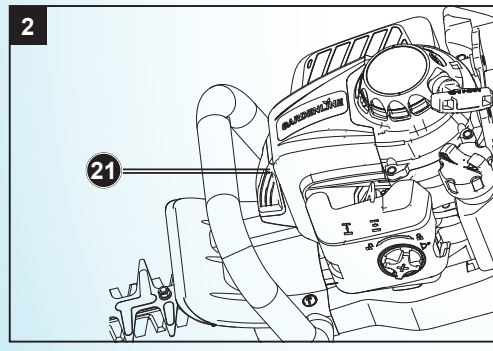
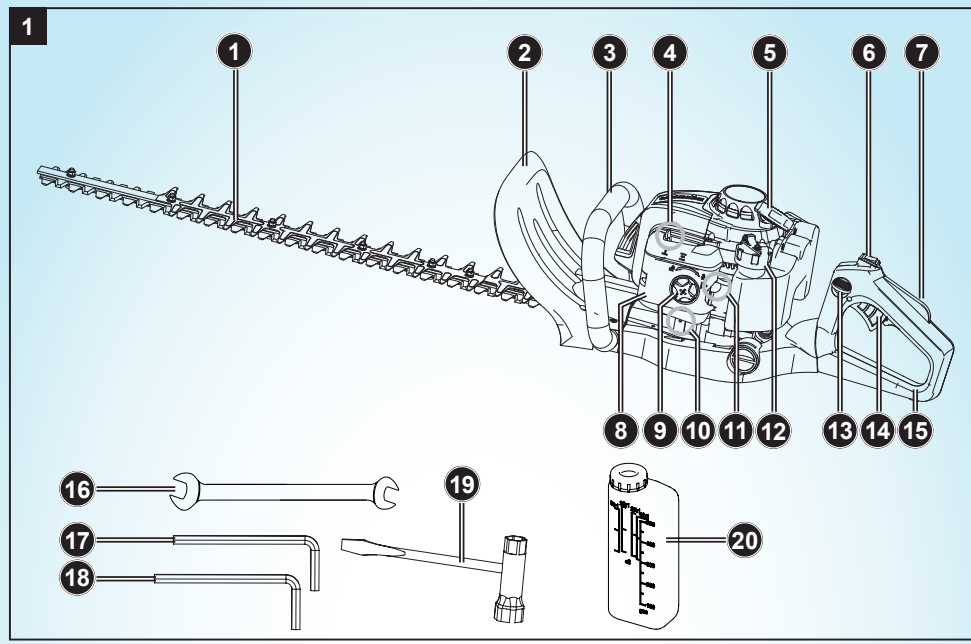
AFTER SALES SUPPORT

  1300 855 831

 [support@schepach.com.au](mailto:support@schepach.com.au)

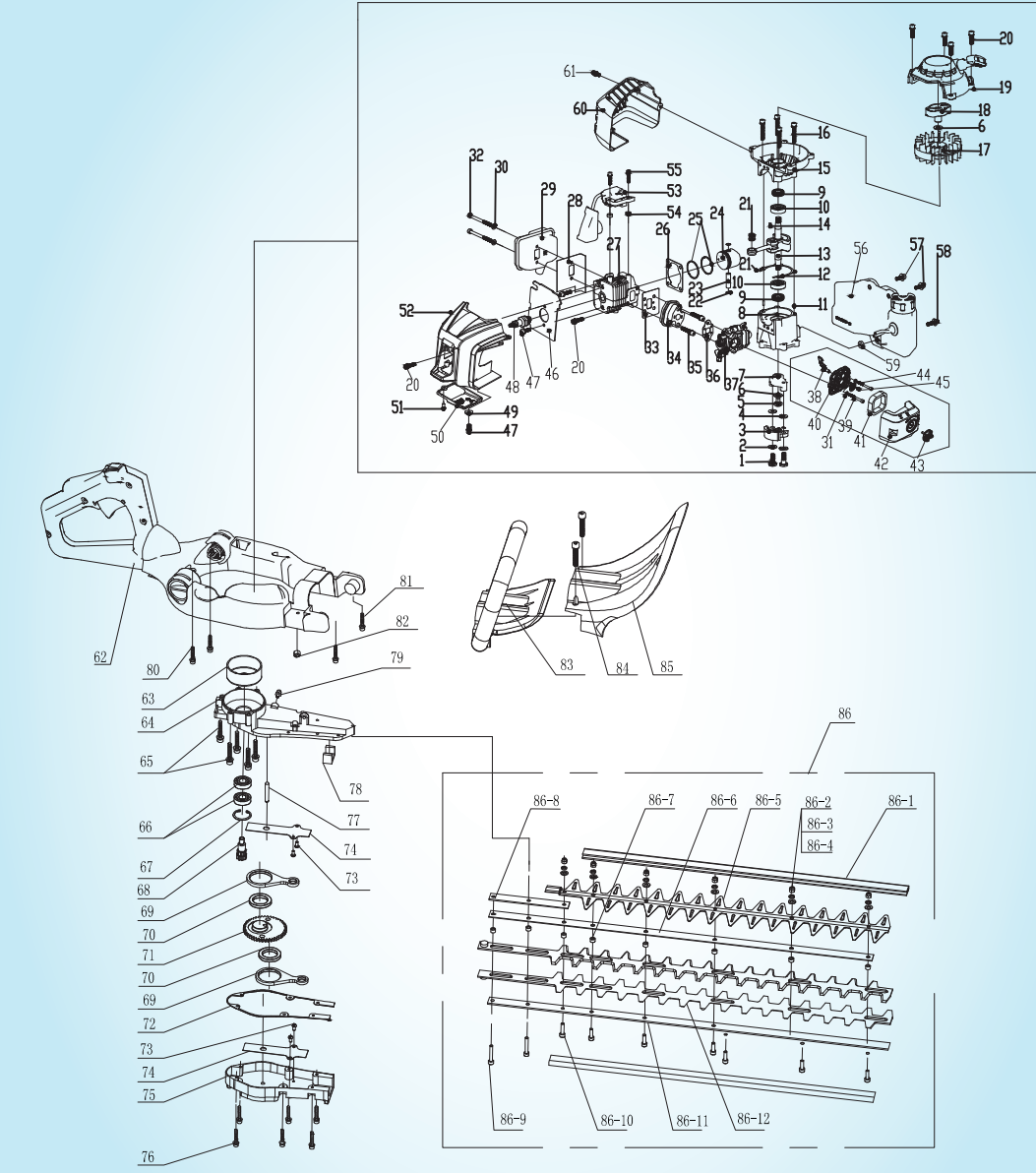
MODEL:HTH250/240P PRODUCT CODE: 59823 03/2018





Contents of Box

- 1 1 x Petrol Hedge trimmer
- 2 1 x Instruction manual
- 3 1 x Warranty card
- 4 1 x Spark plug spanner
- 5 2 x Blade Guards
- 6 1 x Allen key 4mm
- 7 1 x Allen key 5mm
- 8 1 x Hexagon wrench 8/10mm
- 9 1 x Fuel mixing bottle



AFTER SALES SUPPORT

support@schepach.com.au 1300 855 831

MODEL: HTH250/240P PRODUCT CODE: 59823 03/2018