



User Manual

Contents

FERREX®

WET & DRY VACUUM CLEANER

AUS



- Overview04
- Utilisation05
- Pack contents/parts06
- Explanation of symbols08
- Introduction09
- Layout10
- Scope of delivery10
- Intended use11
- Safety regulations11
- Technical data13
- Assembly14
- Operation15
- Maintenance and cleaning17
- Troubleshooting.....18
- Storage18
- Disposal and recycling18
- Warranty Details19
- Repair and Refurbished Goods or Parts Notice21

ALDI guarantees that our exclusive brand products are developed to our stringent quality specifications. If you are not entirely satisfied with this product, please return it to your nearest ALDI store within 60 days from the date of purchase for a full refund or replacement, or take advantage of our after sales support by calling the supplier's Customer Service Hotline.

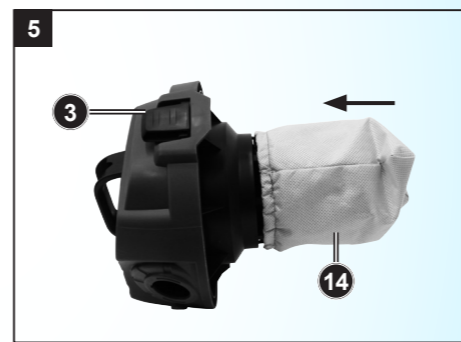
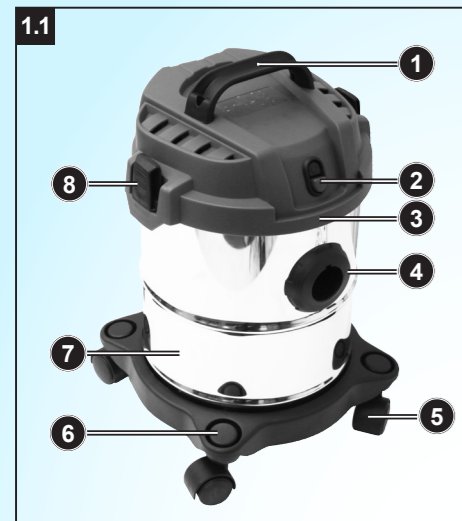
Made in China
 FERREX® is a registered trademark of ALDI Stores
 DISTRIBUTED BY:
 ALDI STORES
 1 SARGENTS ROAD
 MINCHINBURY NSW 2770
 www.aldi.com.au

AFTER SALES SUPPORT 
 ☎ AUS 1300 855 831 ✉ support@scheppach.com.au

MODEL: WDV12 PRODUCT CODE: 703406 10/2020

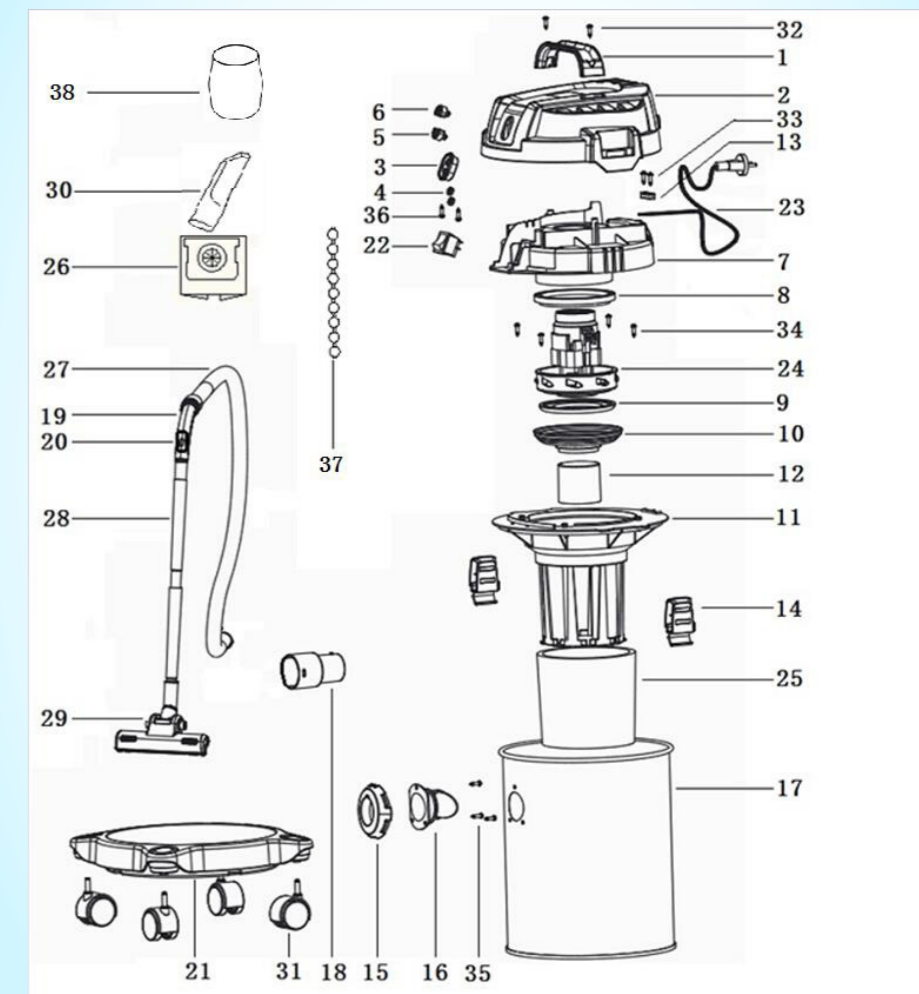
1
 YEAR WARRANTY

Original instructions
 Vers.No. 200604



Contents of Box

- 1 x Wet & Dry Vacuum cleaner
- 4 x Castors
- 1 x Suction hose
- 1 x Foamed plastic filter
- 1 x Paper bag
- 1 x Cloth filter
- 1 x Crevice nozzle
- 1 x 3-part suction tube
- 1 x Floor nozzle
- 1 x Instruction manual
- 1 x Warranty certificate

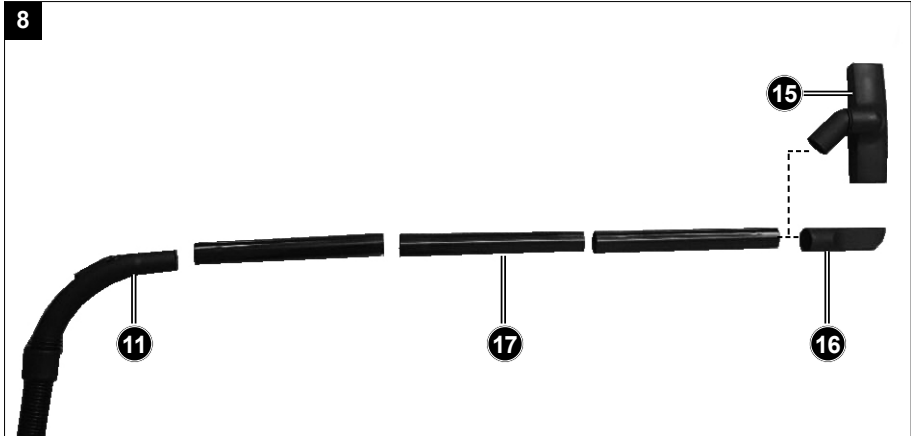


AFTER SALES SUPPORT

support@schepach.com.au

AUS 1300 855 831

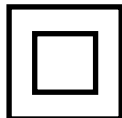
MODEL: WDV12 PRODUCT CODE: 703406 10/2020



Explanation of Symbols



Read the operating instructions to reduce the risk of injury.



Class II symbol: This high pressure cleaner is designed with dual insulation and does not need to be connected to an earthed power socket.



Compliance with the Australian requirements.

I. Introduction

Congratulations on choosing to buy a FERREX® product.

All products brought to you by FERREX® are manufactured to the highest standards of performance and safety, and as part of our philosophy of customer service and satisfaction, are backed by our comprehensive 1 Year Warranty.

We hope you will enjoy using your purchase for many years to come.

Note:

According to the applicable product liability law, the manufacturer of this appliance is not liable for damages which arise on or in connection with this appliance in the case of:

- Improper handling,
- Non-compliance with the instructions for use,
- Repairs by third party and/or non-authorized skilled workers,
- Installation and replacement of non-original spare parts,
- Improper use,
- Failures of the electrical system due to the non-compliance with the electrical specifications and the Australian regulations.

Recommendations:

Read the entire text of the operating instructions prior to the assembly and operation of the appliance.

These operating instructions are intended to make it easier for you to get familiar with your appliance and utilise its intended possibilities of use.

The operating instructions contain important notes on how to work safely, properly and economically with your appliance and how to avoid dangers, save repair costs, reduce downtime, and increase the reliability and working life of the appliance.

In addition to the safety regulations contained herein, you must in any case comply with the applicable regulations of your country with respect to the operation of the appliance.

Put the operating instructions in a clear plastic folder to protect them from dirt and humidity, and store them near the appliance. The instructions must be read and carefully observed by each operator prior to starting the work. Only persons who have been trained in the use of the appliance and have been informed on the related dangers and risks are allowed to use the appliance. The required minimum age of 16 years must be met.

In addition to the safety notes contained in the present operating instructions and the special regulations of your country, the generally recognised technical rules for the operation of this appliance must be observed.

II. Layout (Fig. 1.1, 1.2, 1.3)

- 1 Handle
- 2 On/Off switch
- 3 Appliance head
- 4 Suction hose connector
- 5 Castors
- 6 Accessory holder
- 7 Container
- 8 Locking hook
- 9 Filter basket with safety float valve
- 10 Blow connector
- 11 Suction hose
- 12 Foamed plastic filter
- 13 Paper bag
- 14 Cloth filter
- 15 Floor nozzle (for wet & dry application)
- 16 Crevice nozzle
- 17 3-part suction tube

III. Scope of delivery

Wet & Dry Vacuum cleaner	(1x)
Castors	(4x)
Suction hose	(1x)
Foamed plastic filter	(1x)
Paper bag	(1x)
Cloth filter	(1x)
Crevice nozzle	(1x)
3-part suction tube	(1x)
Floor nozzle	(1x)
Warranty Certificate	(1x)
Manual	(1x)

- Open the packaging and take out the appliance carefully.
- Remove the packaging material as well as the packaging and transport bracing (if available).
- Check that the delivery is complete.
- Check the appliance and accessory parts for transport damage.
- If possible, store the packaging until the warranty period has expired.

⚠ Attention!

The appliance and packaging materials are not toys!

**Children must not be allowed to play with plastic bags, film and small parts!
There is a risk of swallowing and suffocation!**

IV. Intended use

The appliance is intended for domestic wet and dry vacuuming in, for example, the house, work room, car or garage. It is intended for hard floors, tiles, floorboard and carpets. This appliance is not suitable for commercial use. Commercial use will invalidate the guarantee.

Vacuuming of flammable or explosive materials or those which endanger health is prohibited. The manufacturer will not be held responsible for injuries resulting from use which does not comply with the directions, or from incorrect use.

V. Safety regulations

⚠ Caution! When using power tools, observe the following basic safety measures for the prevention of electric shocks and the risk of injury and fire:

To avoid accidents and injuries:

- This appliance is not intended for use by persons (including children) with reduced physical, sensory or mental capabilities, or lack of experience and knowledge, unless they have been given supervision or instruction concerning use of the appliance by a person responsible for their safety. Children are not permitted to play with the device. Cleaning and user maintenance are not to be undertaken by children without supervision.
- Never leave a machine which is ready for operation unattended at the workplace.

- People and animals must not be vacuumed with the machine.
- Do not vacuum any hot, incandescent, flammable, explosive materials, or those which endanger health. This includes hot ashes, petrol, solvents, acids or caustic solutions. Personal injury could occur.
- Nozzles and suction tubes must not reach head level whilst in use. Personal injury could occur.

To avoid accidents and injuries from electric shocks:

- Ensure that the mains cable is not damaged by being pulled over sharp edges, by jamming, or by pulling on the cable.
- Before each use, check the power supply lead and the extension cable for damage and ageing. Do not use the equipment if the cable is damaged or worn.
⚠ WARNING! Danger of electric shock hazard.
- If the power cable for this equipment is damaged, it must be replaced by the manufacturer, a customer service agent of the same or a similarly qualified person in order to prevent hazards.
- Switch the machine off and disconnect the mains plug:
 - when the machine is not in use,
 - before the machine is opened up,
 - for all maintenance and cleaning work,
 - if the connecting cable is damaged or tangled up.
- Never use the mains lead to pull the plug out of the socket or to pull the appliance. Protect the cable from heat, oil, and sharp edges.
- Make sure that the mains voltage corresponds with the information on the rating plate.
- Only plug the appliance into a socket which is safeguarded.
- The device must only be connected to a mains socket via a residual-current circuit breaker (RCD) with a rated leakage current of not more than 30 mA.

- Do not expose the unit to rain

CAUTION! The following states how damage to the appliance and possible injury to people can be avoided:

- Ensure that the machine is correctly assembled and the filters are in the correct position.
- Do not use without the filter. This could damage the machine.
- Only use replacement parts and accessories delivered and recommended by our Service Centre. The use of parts by other manufacturers immediately renders the guarantee void.
- Only have repairs carried out at our authorised customer service points.
- Observe the instructions for cleaning and maintenance of the machine.
- Store the appliance in a dry place and out of reach of children.

VI. Technical data

Mains connection	220-240 V~ 50-60 Hz
Power consumption	1200 W
Mains cable length	3 m
Container volume	12 L
Suction hose length	1.5 m
Safety class	II
Max. Suction power	16 kPa
Protection class	IP24

VII. Assembly

⚠ Warning! Ensure the appliance is correctly and completely assembled before use.

Unpacking (Fig.1.1)

- 1 Unlock the locking hooks (8) and remove the appliance head (3). Remove all accessories from the container (7).

Mounting of the castors (Fig.2)

- 1 Place the container (7) upturned on the ground.
- 2 Push the castors (5) into the holes at the bottom of the container.

Mounting appliance head (Fig.3)

- 1 Place the appliance head (3) onto the container (7). Secure the appliance head (3) with the locking hook (8). When fitting the appliance head (3), make sure that the locking hook (7) locks into place correctly.

Fitting the filter (Fig.4/5)

Never use the appliance without a filter! Always ensure that the filters are correctly mounted

- 1 Fitting the foamed plastic filter (12): For wet-vacuuming, slip the supplied foamed plastic filter (12) over the filter basket. (Fig.4)
- 2 Fitting the cloth filter (14): For dry vacuum cleaning always use the supplied cloth filter (14). Slip the cloth filter (14) over the filter basket. (Fig.5)

Assembling the paper bag (Fig.6)

For vacuuming all kind of dry dirt it is recommended that you use the paper bag (13). Slip the paper bag (13) over the vacuuming hole inside of the container (7). The paper bag (13) is suitable for dry-vacuuming only. The paper bag (13) makes it easier to dispose of the sucked-in dust.

Fitting the suction hose (Fig. 7)

Connect the suction hose (11) to the corresponding connector on the wet and dry vacuum cleaner, depending on the application required.

Vacuuming:

Connect the suction hose (11) to the suction hose connector (4).

Blowing:

Connect the suction hose (11) to the blow connector (10).

Mounting the suction tube, hose and nozzles (Fig. 8)

- 1 Push the 3 parts of the suction tube (17) together.
- 2 Connect the 3-part suction tube (17) with the suction hose (11).
- 3 Mount the floor nozzle (15) or the crevice nozzle (16) onto 3-part suction tube (17).

VIII. Operation

⚠ Warning! Switch off the appliance if liquid or foam is emitted with the exhaust air when wet vacuum cleaning.

On/Off switch (Fig. 1.1)

Press the On/Off switch (2) to switch on.

Press the On/Off switch (2) again to switch off.

Dry vacuuming (Fig. 1.3)

Use the paper bag (13) and the cloth filter (14) for dry vacuuming. Always ensure that the filters are correctly mounted.

Use the floor nozzle (15) for surface cleaning applications. The crevice nozzle (16) is used for hard to reach areas.

The paper bag (13) is full, when the suction function is noticeably reduced. For emptying instructions, read the "Maintenance and cleaning" chapter.

Wet vacuuming (Fig. 1.3)

For wet-vacuuming, use the foamed plastic filter (12). Ensure that the foamed plastic filter (12) is correctly mounted.

When wet vacuuming, the safety float valve on the filter basket (9) will close when the maximum level is reached. The motor will continue running, but the suction will decrease significantly. For emptying instructions, read the "Maintenance and cleaning" chapter.

Use the floor nozzle (15) for surface cleaning applications.

Danger! The appliance is not suitable for the vacuuming of combustible and hot liquids.

For wet vacuuming, use only the supplied foamed plastic filter (12).

Blowing (Fig. 7)

Use the crevice nozzle (16) for blowing applications to clean dust and dirt in hard to reach places.

Using as a dust collector (Fig. 1)

To use as a dust collector, ensure the cloth filter (14) and paper bag (13) are properly inserted.

Switch off the appliance and connect the suction hose (11) to your power tool.

IX. Maintenance and cleaning

Pull out the power plug before every maintenance operation. There is a risk of electrocution or of injury from moving parts.

Maintenance

The appliance is maintenance free.

Emptying the Container (Fig. 1)

The container is full if the suction power will decrease significantly.

Switch off the appliance and disconnect the power plug.

Remove the appliance head (3) by opening the locking hooks (8).

Empty the container into a rubbish bin or suitable container for disposal.

Cleaning

It is recommended to clean the appliance after each use.

Never direct a water jet against the appliance, nor clean the appliance under flowing water. This could give rise to the danger of electric shock and damage the appliance!

Always keep the appliance clean. Do not use any detergents or solvents.

- Always keep the ventilation slots clean and free from dirt and dust.
- Clean the container (7) with a damp cloth.
- Wash the foamed plastic filter (12) with lukewarm water and soap and allow to dry.
- Beat the dust out of the cloth filter (14) and clean it with a paint brush or hand brush.
- Replace the paper bag (13) when full.

Replacement parts

Replacement parts can be ordered (e.g. paper bag, filter) by contacting After Sales Support.

X. Troubleshooting

Problem	Possible Cause	Action
Appliance does not start.	Mains voltage is not present.	Check plug socket, cable, line, plug and fuse, where appropriate, repair through electrical specialist.
	Defective On/Off switch.	Repair through customer service.
	Worn carbon brushes.	
	Defective motor.	
Low or lack of suction.	Hose system or nozzles blocked.	Remove obstructions and blockages.
	Container open.	Close container.
	Container full.	Empty container.
Dust or dirt is blowing out of the device.	Filter are not assembled.	Assemble the the filter.

XI. Storage

- Clean and empty the appliance before storing.
- Drain all the water from the appliance before storing.
- Ensure that children cannot reach the appliance.
- Store the appliance and its accessories in a frost-free room.
- Accessories can be inserted in four the accessory holder (6)

XII. Disposal and recycling

The appliance is supplied in packaging to prevent it from being damaged in transit. The raw materials in this packaging can be reused or recycled. The appliance and its accessories are made of various types of material, such as metal and plastic. Never place defective appliance in your household refuse. The appliance should be taken to a suitable collection center for proper disposal.

If you do not know the whereabouts of such a collection point, you should ask in your local council offices.



ALDI

FERREX®

WET & DRY VACUUM CLEANER



Warranty Details

REGISTER YOUR PURCHASE AT www.aldi.com.au/en/about-aldi/product-registration/ TO KEEP UP-TO-DATE WITH IMPORTANT PRODUCT INFORMATION

The product is guaranteed to be free from defects in workmanship and parts for a period of 12 months from the date of purchase. Defects that occur within this warranty period, under normal use and care, will be repaired, replaced or refunded at our discretion. The benefits conferred by this warranty are in addition to all rights and remedies in respect of the product that the consumer has under the Competition and Consumer Act 2010 and similar state and territory laws.

Our goods come with guarantees that cannot be excluded under the Australian Consumer Law. You are entitled to a replacement or refund for a major failure and for compensation for any other reasonably foreseeable loss or damage. You are also entitled to have the goods repaired or replaced if the goods fail to be of acceptable quality and the failure does not amount to a major failure.

AFTER SALES SUPPORT

  **1300 855 831**

19

 support@scheppach.com.au
MODEL: WDV12 PRODUCT CODE: 703406 10/2020





FERREX®

WET & DRY VACUUM CLEANER

Repair and Refurbished Goods or Parts Notice

Unfortunately, from time to time, faulty products are manufactured which need to be returned to the Supplier for repair.

Please be aware that if your product is capable of retaining user-generated data (such as files stored on a computer hard drive, telephone numbers stored on a mobile telephone, songs stored on a portable media player, games saved on a games console or files stored on a USB memory stick) during the process of repair, some or all of your stored data may be lost.

We recommend you save this data elsewhere prior to sending the product for repair.

You should also be aware that rather than repairing goods, we may replace them with refurbished goods of the same type or use refurbished parts in the repair process.

Please be assured though, refurbished parts or replacements are only used where they meet ALDI's stringent quality specifications.

If at any time you feel your repair is being handled unsatisfactorily, you may escalate your complaint. Please telephone us on 1300 855 831 or write to us at:

RosMac Pty. Ltd.

P.O. Box 261, Essendon North, Victoria, 3041

1300 855 831

support@schepach.com.au

AFTER SALES SUPPORT

  **1300 855 831**

21

 **support@schepach.com.au**

MODEL:WDV12 PRODUCT CODE: 703406 10/2020

1

YEAR WARRANTY

